



# J7

2U Passive Air Cooler

**PRODUCT SPECIFICATIONS**

Speficiation Version: 04/28/2022

*(Specifications are subject to change without notice)*

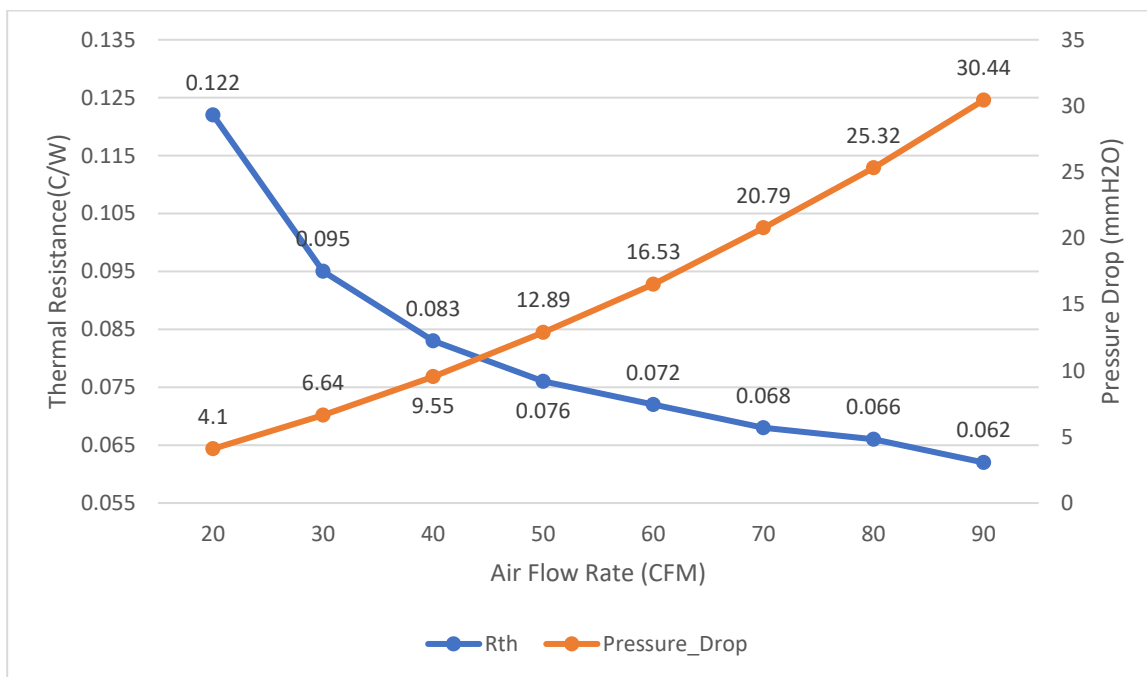
## Model Number: J7

- Recommend for AMD® CPU as following
  - AMD® Genoa® Processor Family, Socket SP5
- Passive Air Cooler for 2U Server and Up

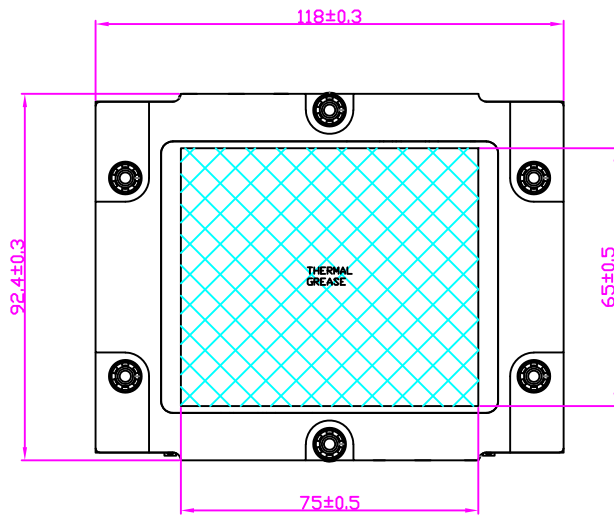
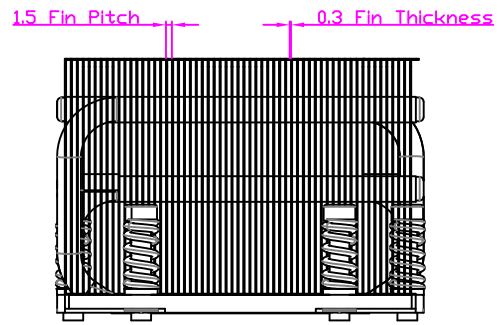
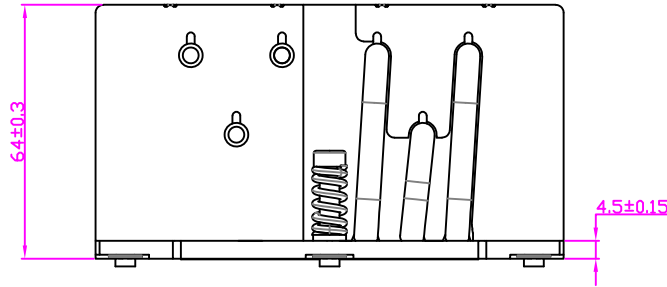
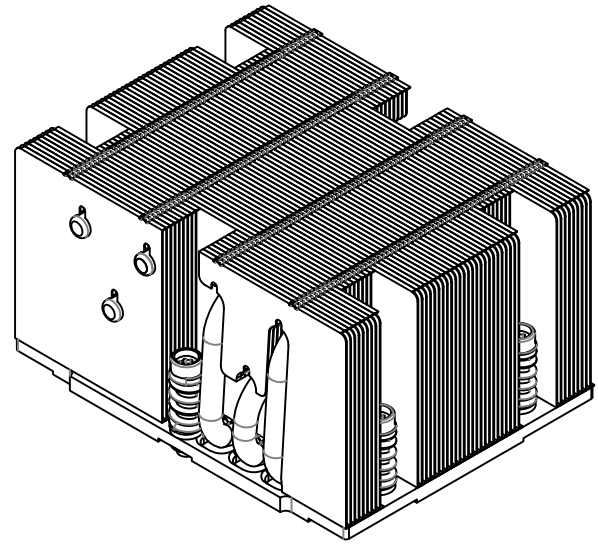
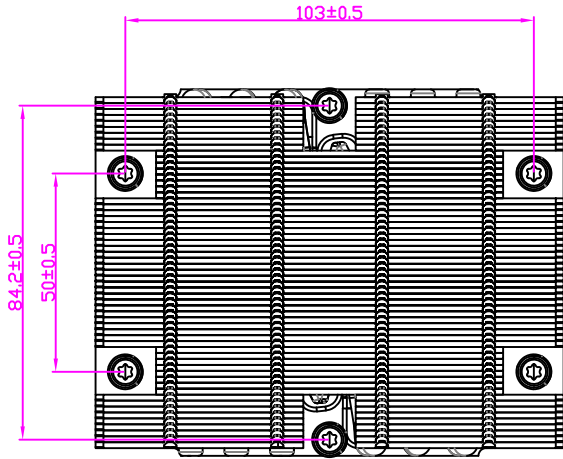
## Overall Specification

Dimension	118.0 x 92.4 x 64.0 mm
Weight	564g
Material	Aluminum Fin + Copper embedded Base + Heat Pipes
Thermal Grease	Shin-Etsu 7762 Pre-Printed
TDP	Up to 320 Watts

## Performance Chart: Passive Cooler J7 Thermal Resistance Thermal Resistance vs. Airflow



REV#	DESCRIPTION	CHECKER	DATE
00	INITIAL RELEASE	Engn	04/28/22
01	FBI SWAP ADJUSTMENT	Engn	04/28/22



NOTES:  
1. THE FIGURE IS FOR REFERENCE ONLY, AND NOT FOR SCALE

	NAME	DATE
DRAWN BY	ENGR	04/28/2022
CHECKED BY	ENGR	04/28/2022
ENG.APPROVED		
MFG.APPROVED	-	-



**DYNATRON CORPORATION**

TITLE: 1U Air Cooler J7  
Overall Dimension Drawing

**CONFIDENTIAL DOCUMENT**  
THIS DRAWING CONTAINS INFORMATION PROPRIETARY TO DYNATRON CORPORATION AND DYNAEON INDUSTRIAL CO., LTD. ANY REPRODUCTION, DISCLOSURE, OR USE OF THIS DRAWING IS EXPRESSLY PROHIBITED EXCEPT AS DYNATRON CORPORATION AND DYNAEON INDUSTRIAL CO., LTD. MAY OTHERWISE AGREE TO IN WRITING.

VIEW	
UNITS	MM

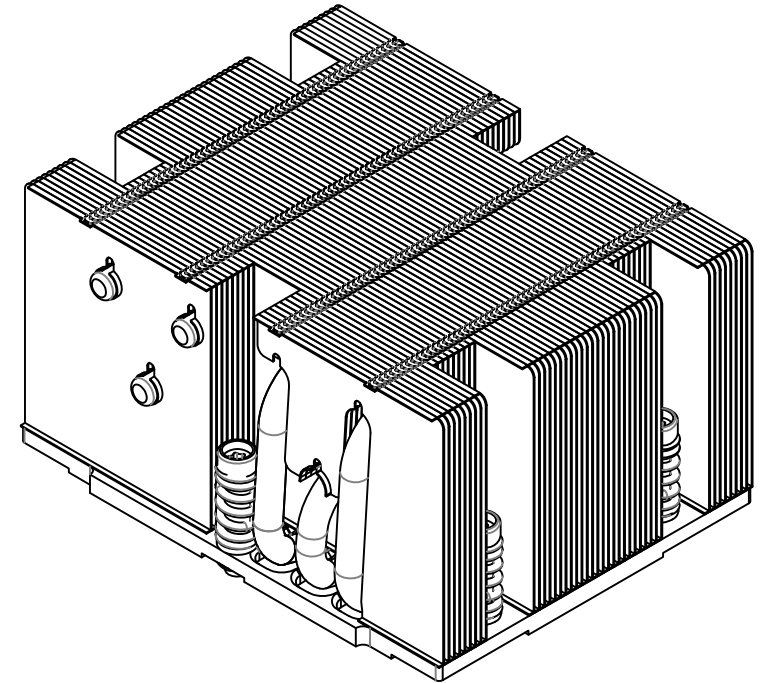
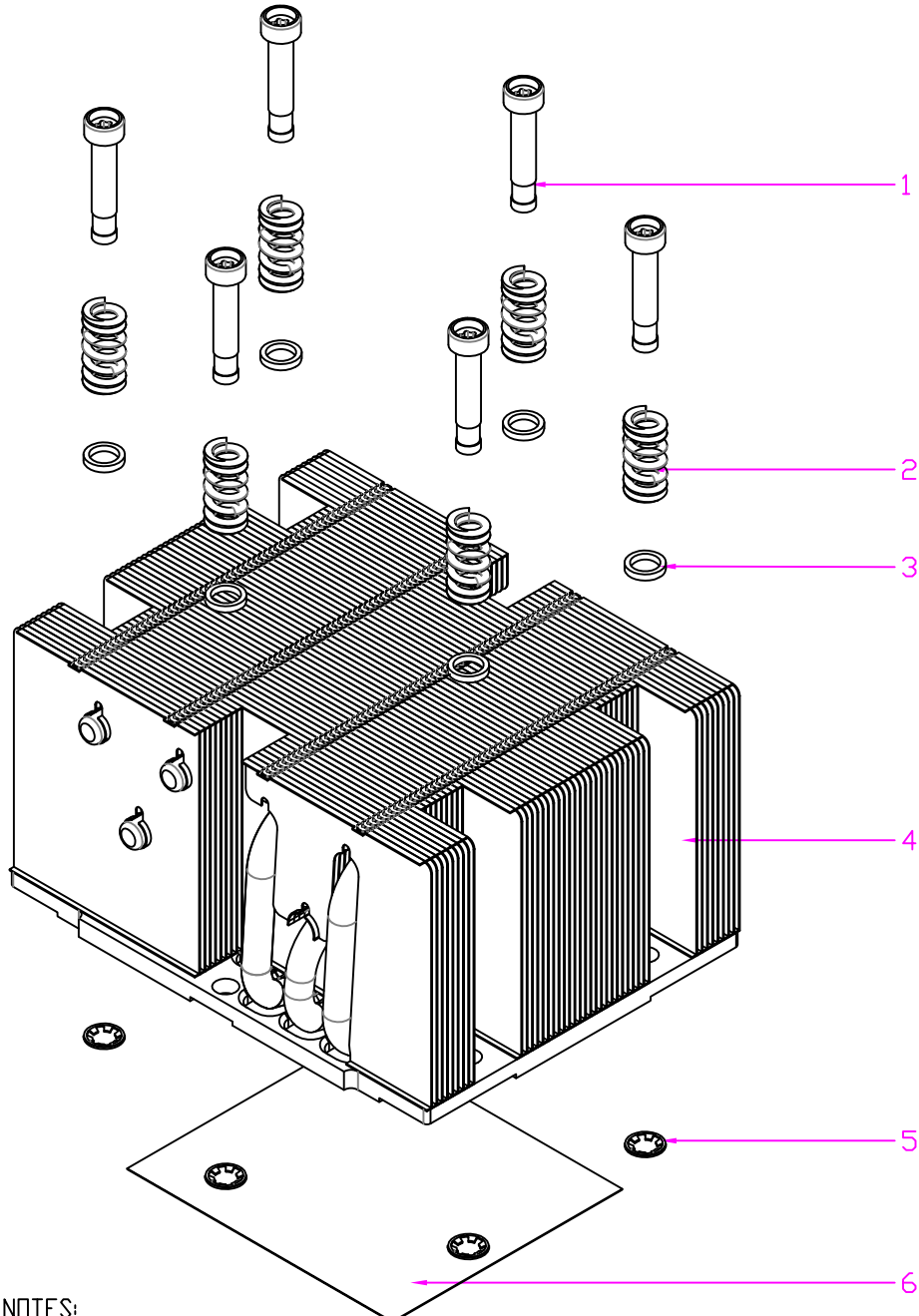
DWG. No: DYN-BD-J7

REV. 0.1


**CONFIDENTIAL DOCUMENT**

THIS DRAWING CONTAINS INFORMATION PROPRIETARY TO DYNATRON CORPORATION AND DYMAED INDUSTRIAL CO., LTD. ANY REPRODUCTION, DISCLOSURE, OR USE OF THIS DRAWING IS EXPRESSLY PROHIBITED EXCEPT AS DYNATRON CORPORATION AND DYMAED INDUSTRIAL CO., LTD. MAY OTHERWISE AGREE TO IN WRITING.

REV#	DESCRIPTION	CHECKER	DATE
0.0	INITIAL RELEASE	Engr.	04/25/22
0.1	FIN SHAPE ADJUSTMENT	Engr.	04/28/22



6	THERMAL GREASE	SHIN-ETSU 7762	N/A
5	C-RING	STEEL	6
4	HEATSINK	ALUMINUM FIN&COPPER EMBEDDED ALUMINUM BASE	1
3	WASHER	STEEL	6
2	SPRING	STEEL	6
1	SCREW, HEATSINK	STEEL	6
ITEM #	DESCRIPTION	MATERIAL	QTY.

	DATE	NAME	 DYNATRON CORPORATION TITLE: 2U Air Cooler J7 BOM & Exploded Assembly Drawing
DRAWN	04/28/22	Engr.	
CHECKED	04/28/22	Engr.	
ENG. APPR.			
MFG. APPR.			
QA			DWG. No: DYN-EP-J7
COMMENTS			REV 0.1

**NOTES:**

1. THE FIGURE IS FOR REFERENCE ONLY, AND NOT FOR SCALE

## Publication History:

04/28/2022: Design update: Fin shape adjustment

04/25/2022: Initial Release