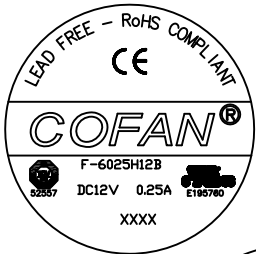
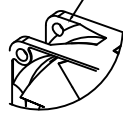


DC BRUSHLESS FAN

60 x 60 x 25mm, 2 Ball Bearing, with PWM

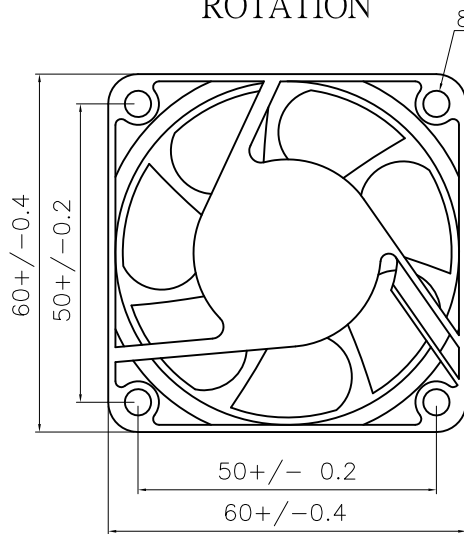


Fan to be Ribless (Flanged)

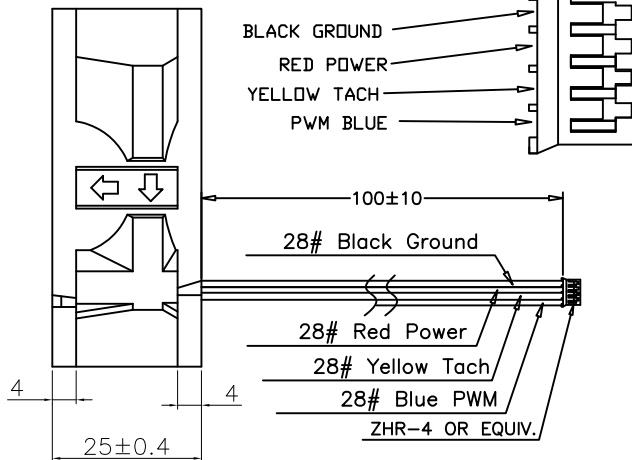


ROTATION

AIR FLOW



8- ϕ 4.4 \pm 0.1



BLACK GROUND
RED POWER
YELLOW TACH
PWM BLUE

100 \pm 10

28# Black Ground

28# Red Power

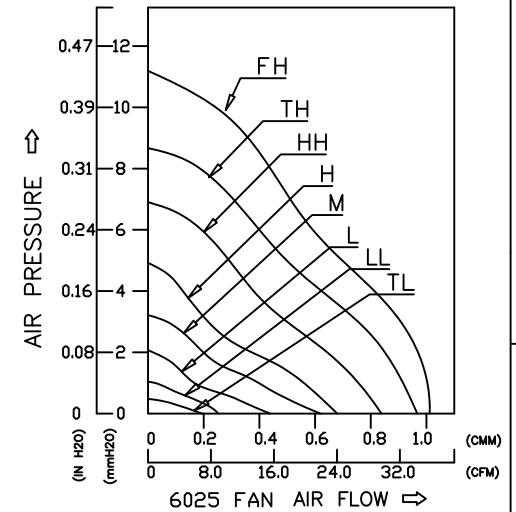
28# Yellow Tach

28# Blue PWM

ZHR-4 OR EQUIV.

4

25 \pm 0.4



UL# E195760
CUL# E195760
TUV# B 04 03 52557 002
CE# EN5008-1

- PWM Notes:**
- PWM 4th WIRE FOR PWM INPUT @ 20-25kHz, 20-100% DUTY CYCLE
 - FAN TO RUN AT FULL SPEED WHEN PWM CONTROL CIRCUIT IS OPEN OR NOT CONNECTED
 - PWM PULL UP INPUT VOLTAGE RANGE IS 1.0-3.5VDC
 - ZERO VOLTAGE WILL APPEAR ON THE PWM INPUT WHEN NO INPUT IS CONNECTED
 - MAXIMUM VOLTAGE PWM WILL TOLERATE IS TO BE 3.5V
 - MAXIMUM VOLTAGE FOR LOGIC 0 IS 0.4V
 - MINIMUM VOLTAGE FOR LOGIC 1 IS 1.0V
 - PWM WILL SOURCE 5-10mA (ASSUMING THERE IS A PULLUP)
 - PWM CAN BE DRIVEN WITH OPEN COLLECTOR OUTPUT
 - PWM IS LOGIC HIGH FOR 100% DUTY CYCLE

| PARTS LIST | |
|------------|---|
| ① | 1X FAN F-6025H12B |
| ② | 1X JST ZHR-4 Housing (or equivalent) 4X JST SZH-002T-P0.5 Contacts (or equivalent) |

| Value | Temp | 25 | 30 | 40 | 50 | 60 | 70 |
|----------------|------|---------|---------|--------|--------|--------|-------|
| AF | | 45.25 | 32 | 16 | 8 | 4 | 2 |
| ESTIMATED MTTF | | 1801739 | 1274002 | 637011 | 318506 | 159253 | 79626 |
| ESTIMATED L10 | | 257391 | 182003 | 91002 | 45501 | 22750 | 11375 |

| MODEL NO | RATED VOLTAGE V | OPERATING VOLTAGE V | RATED CURRENT A | ACTUAL CURRENT A | RATED POWER W | RATED SPEED RPM | MAX AIR FLOW @ 4200 RPM | | MAX PRESSURE @ 4200 RPM | | NOISE LEVEL dBA |
|------------|-----------------|---------------------|-----------------|------------------|---------------|-----------------|-------------------------|-------|-------------------------|--------------------|-----------------|
| | | | | | | | CMM | CFM | mmH ₂ O | InH ₂ O | |
| F-6025H12B | 12 | 8~13.8 | 0.25 | 0.18 | 3.00 | 4200 | 0.668 | 23.58 | 4.81 | 0.189 | 35.7 |

| | | | |
|---|---|---|-----------------------|
| DO NOT SCALE DRAWING UNLESS OTHERWISE SPECIFIED DIMENSIONS ARE IN MILLIMETRE TOLERANCES ARE: 1 PLACE .X ± 0.4 2 PLACE .XX ± 0.25 3 PLACE .XXX ± 0.13 ANGLES EXCEPT 90° ± 1° MAXIMUM SURFACE ROUGHNESS 125√ | DRAWING NUMBER: F-6025H12B-04 | COFAN USA 1400 FULTON PLACE FREMONT CA 94539 FAN, 60x25MM, 12V, PWM, TACHOMETER, ROHS, 4 PIN CONNECTOR, 2 BALL BEARING | |
| | MATERIAL: | | FINISH: |
| | DRAWN BY: DAN | PART NUMBER: F-6025H12B-04 | REV: 01 |
| | ENGINEER: | SHEET: 2 | DATE DRAWN: Jan-16-17 |