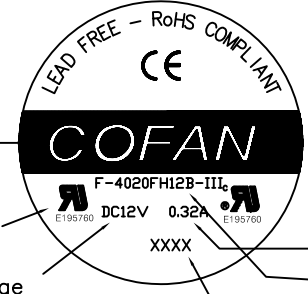


COFAN ORDERING PART # F-4020FH12BIII-PWM-04 Rev 04

Lead time - Stock to 8 weeks
 To place order, call Ben at (800) 766-6097
 Email to ben@cofan-usa.com
 www.cofan-usa.com

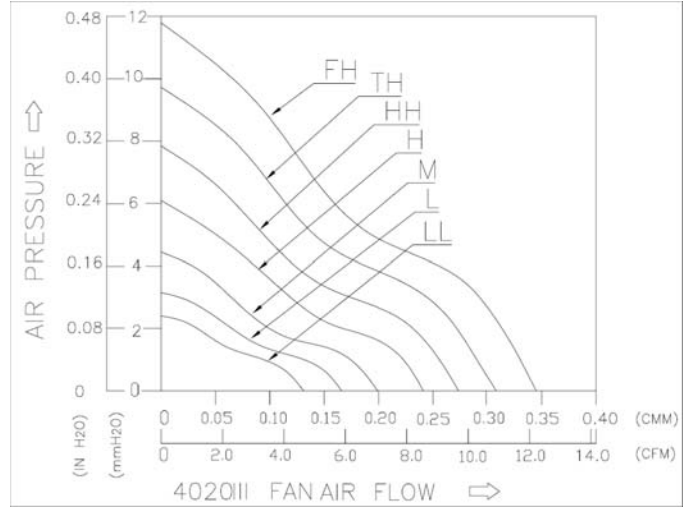
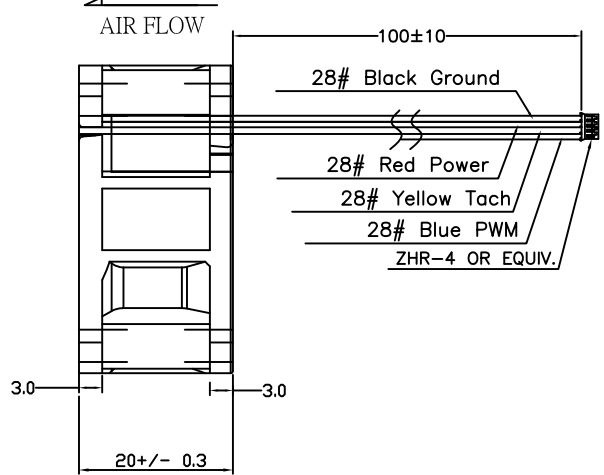
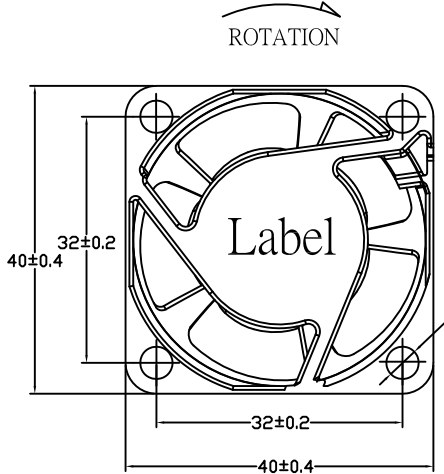
REVISION HISTORY					
REV	DESCRIPTION	DRWN	CHK'D	APPVD	DATE
03	INITIAL RELEASE				7/6/16
04	CHANGE CONNECTOR				8/3/16



Cofan Logo
 UL file no. xxxxx
 Voltage
 Ampere
 Part no.
 Lot control No.

DC BRUSHLESS FAN

40 x 40 x 20 mm, Frame/Blade Version III, 12V, 10K RPM, 2 Ball, PWM, RoHS



THIS DOCUMENT IS CONFIDENTIAL AND PROPRIETARY TO COFAN USA, FREMONT, CA

- PWM Notes:**
1. PWM 4th WIRE FOR PWM INPUT @ 20-25KHZ, 20-100% DUTY CYCLE
 2. FAN TO RUN AT FULL SPEED WHEN PWM CONTROL CIRCUIT IS OPEN OR NOT CONNECTED
 3. PWM PULL UP INPUT VOLTAGE RANGE IS 1.0-3.5VDC
 4. ZERO VOLTAGE WILL APPEAR ON THE PWM INPUT WHEN NO INPUT IS CONNECTED
 5. MAXIMUM VOLTAGE PWM WILL TOLERATE IS TO BE 3.5V
 6. MAXIMUM VOLTAGE FOR LOGIC 0 IS 0.4V
 7. MINIMUM VOLTAGE FOR LOGIC 1 IS 1.0V
 8. PWM WILL SOURCE .5-10mA (ASSUMING THERE IS A PULLUP)
 9. PWM CAN BE DRIVEN WITH OPEN COLLECTOR OUTPUT
 10. PWM IS LOGIC HIGH FOR 100% DUTY CYCLE

UL# E195760
 CUL# E195760
 TUV# B 04 03 52557 002
 CE# EN5008-1

PARTS LIST

1	1X FAN, COFAN ONLY # F-4020FH12BIII
2	1X JST HOUSING ZHR-4 OR EQUIV.
3	4X JST TERMINAL SZH-002T-P0.5 OR EQUIV.

Value	Temp	25	30	40	50	60	70
AF		45.25	32	16	8	4	2
ESTIMATED MTTF		1801739	1274002	637011	318506	159253	79626
ESTIMATED L10		257391	182003	91002	45501	22750	11375

MODEL NO	RATED VOLTAGE V	OPERATING VOLTAGE V	RATED CURRENT A	ACTUAL CURRENT A	RATED POWER W	ACTUAL POWER W	RATED SPEED RPM	MAX AIR FLOW @ 10000 RPM CMM	MAX AIR FLOW @ 10000 RPM CFM	MAX PRESSURE @ 10000 RPM mmHgD	MAX PRESSURE @ 10000 RPM InHgD	NOISE LEVEL dBA
F-4020FH12BIII	12	8-13.8	0.32	0.12	3.84	1.44	10000	0.35	12.17	11.82	0.47	38.5

RoHS Complaint
 2002/95/EC

DO NOT SCALE DRAWING

DRAWING NUMBER: F-4020FH12BIII-PWM-04

COFAN USA

FAN, 40 x 20MM, 12VDC

1 PLACE .X ± 0.4
 2 PLACE .XX ± 0.25
 3 PLACE .XXX ± 0.13

ANGLES EXCEPT 90° ± 1°
 MAXIMUM SURFACE ROUGHNESS 125√

DRAWN BY: DAN

PART NUMBER: F-4020FH12BIII-PWM-04

REVISION: 04

ENGINEER:

SHEET:

DATE DRAWN: 8-3-2016

SCALE: 1:1