

8 7 6 5 4 3 2 1

D

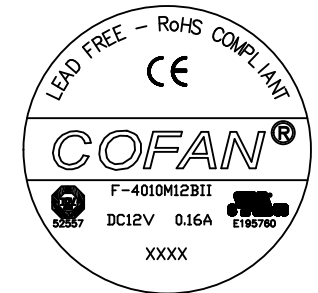
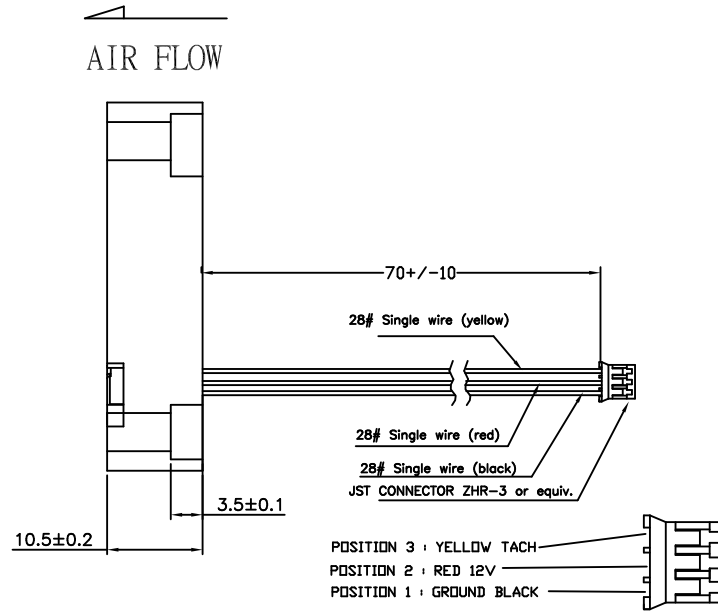
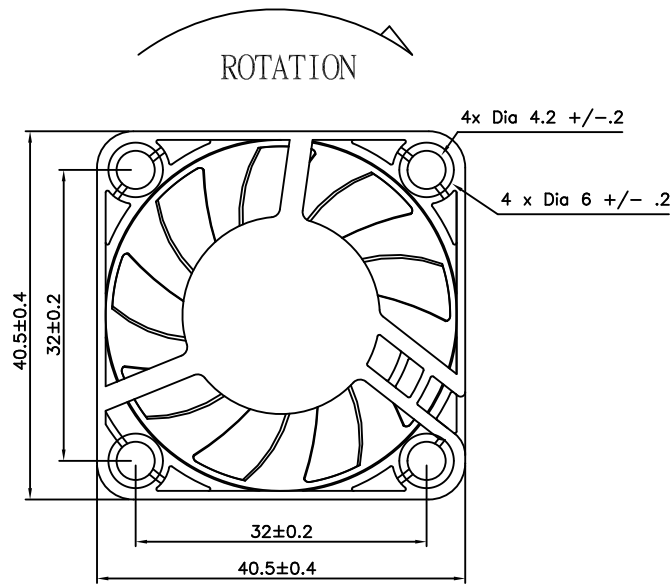
C

B

A

REVISION HISTORY					
REV	DESCRIPTION	DRWN	CHK'D	APPVD	DATE
01	INITIAL RELEASE	AC	MC		9-20-12

TO ORDER FAN PER THIS DRAWING USE COFAN PART # F-4010M12BII-08 Rev 01
(part # on label will be F-4010M12BII)



PARTS LIST	
①	1X FAN MODEL F-4010M12BII, 2 BALL BEARING
②	1X JST 3 PIN CONNECTOR #ZHR-3 or EQUIVALENT
③	3X JST CONTACT SZH-002T-P0.5 or EQUIVALENT

Value	Temp	25	30	40	50	60	70
AF		45.25	32	16	8	4	2
ESTIMATED MTF		1801739	1274022	637011	318506	159253	79626
ESTIMATED L10		257391	182003	91002	45501	22750	11375

UL# E195760
CUL# E195760
TUV# B 04 03 52557 002
CE# EN5008-1

MODEL NO	RATED VOLTAGE V	OPERATING VOLTAGE V	RATED/ACTUAL CURRENT A	RATED POWER W	RATED SPEED RPM	MAX AIR FLOW		MAX STATIC AIR PRESSURE		NOISE LEVEL dBA
						CMH	CFM	mmHg	InHg	
F-4010M12BII	12	6-13.8	0.16/0.09	1.92	5000	.204	7.21	2.10	0.083	23.8

RoHS
Compliant
2002/95/EC

DO NOT SCALE DRAWING		DRAWING NUMBER: F-4010M12BII-08		COFAN USA	
UNLESS OTHERWISE SPECIFIED DIMENSIONS ARE IN MILLIMETRE TOLERANCES ARE:		MATERIAL:		Fan, 40 x 10mm, Cofan Model F-4010M12BII, 12VDC, 5K RPM 2 Ball Bearing, Connector	
1 PLACE .X	± 0.4	FINISH:		DRAWN BY: ANGUS	
2 PLACE .XX	± 0.25	COFAN PART NUMBER: F-4010M12BII-08		REV: 01	
3 PLACE .XXX	± 0.13	ENGINEER:		SHEET:	
ANGLES EXCEPT 90° ± 1°		DATE DRAWN: SEP-20-12		SCALE: 1:1	
MAXIMUM SURFACE ROUGHNESS 125√					

8 7 6 5 4 3 2 1