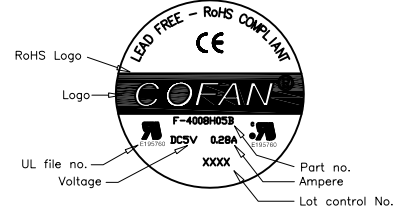
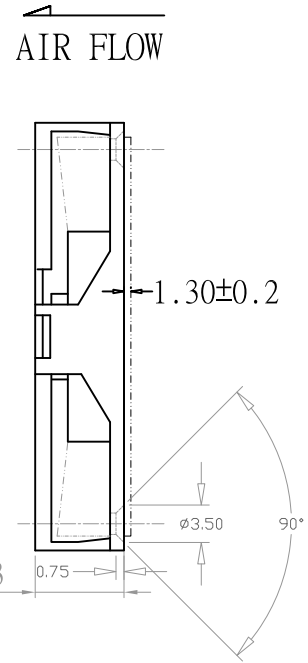
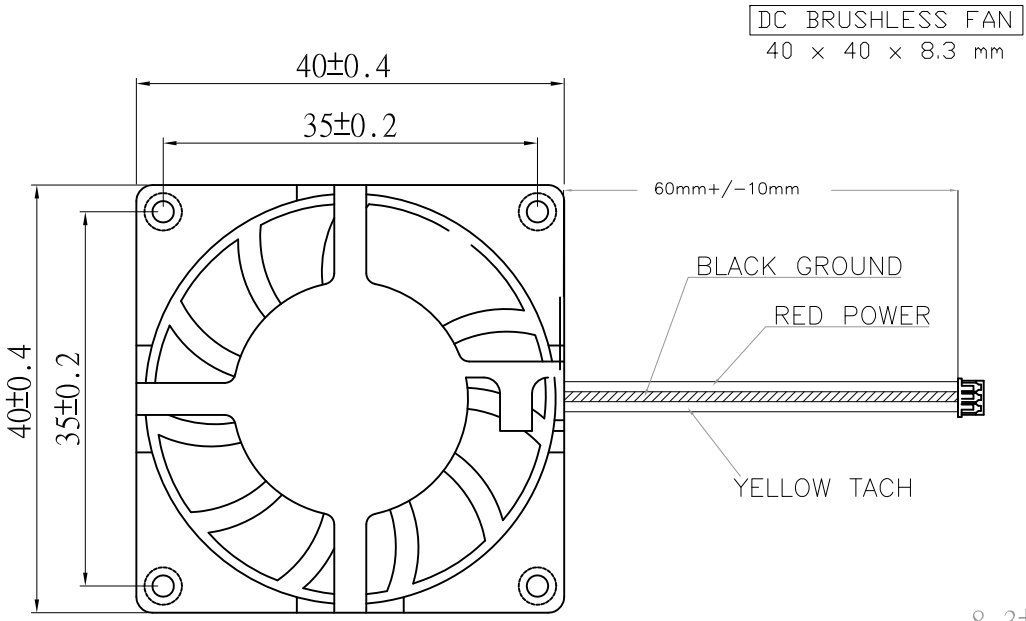


REVISION HISTORY					
REV	DESCRIPTION	DRWN	CHK'D	APPVD	DATE
A	Initial Release	Ben	---	---	Jun-7-2007



UL# E195760
 CUL# E195760
 TUV# B 04 03 52557 002
 CE# EN5008-1

COFAN ORDERING PART # F-4008H05B-03 Rev A

BEARING TYPE: 2 BALL BEARING
 PROTECTION LEVEL: 0
 LEAD TIME - 2.5 TO 3 WEEKS
 TO PLACE ORDER, CALL BEN AT (800) 766-6097 OR EMAIL TO BEN@COFAN-USA.COM

RoHS
 Compliant
 2002/95/EC

PARTS LIST	
①	1X MOLEX HOUSING 51021-0300 OR EQUIV. 3X MOLEX TERMINAL 50058-xxxx OR EQUIV.
②	1X FAN, COFAN MODEL F-4008H05B

MODEL NO	RATED VOLTAGE V	OPERATING VOLTAGE V	RATED CURRENT A	ACTUAL CURRENT A	RATED POWER W	RATED SPEED RPM	MAX AIR FLOW @ 6000 RPM		MAX PRESSURE @ 6000 RPM		NOISE LEVEL dBA
							CMM	CFM	mmH ₂ O	InH ₂ O	
F-4008H05B	5	4.5-5.5	0.28	0.20	1.40	6000	0.168	5.92	2.26	0.089	26.6

DO NOT SCALE DRAWING		DRAWING NUMBER: F-4008H05B-03		COFAN USA 46177 WARM SPRINGS BLVD FREMONT CA 94539	
UNLESS OTHERWISE SPECIFIED DIMENSIONS ARE IN MILLIMETRE TOLERANCES ARE:		MATERIAL:		FAN, 40x8mm, 5V, 2 Ball, Connector, RoHS	
1 PLACE .X	± 0.4	FINISH:		PART NUMBER: F-4008H05B-03	
2 PLACE .XX	± 0.25	DRAWN BY:		REV: A	
3 PLACE .XXX	± 0.13	ENGINEER:		SHEET:	
ANGLES EXCEPT 90°	± 1°	DATE DRAWN: 8-21-2008		SCALE: 2 : 1	
MAXIMUM SURFACE ROUGHNESS	125√				