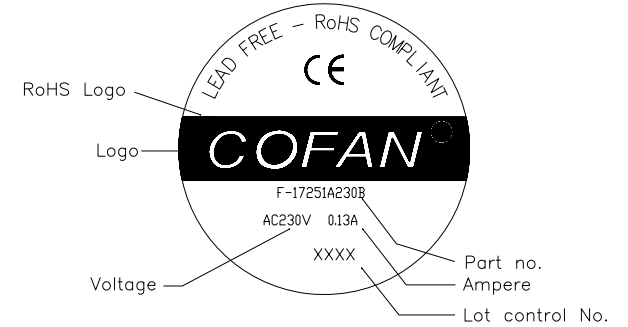


NOTICE - PROPRIETARY INFORMATION
 THE DESIGN AND RELATED INFORMATION CONTAINED HEREIN IS THE SOLE PROPERTY OF COFAN USA INC. THE DISCLOSURE OF THIS INFORMATION DOES NOT CONSTITUTE THE RELEASE OF ANY PROPRIETARY RIGHTS THEREIN. PERMISSION TO REPRODUCE THIS INFORMATION OR THE PRODUCTS DISCLOSED HEREIN MUST BE OBTAINED IN WRITING FROM COFAN USA INC.

Note: This fan and all parts associated with this fan (including packaging, housings, and pins) either does not contain any hazardous substances such as lead, mercury, or PCB's, or is below acceptable levels, and is in compliance with 2002/95/EC of the European Parliament and of the Council of 27th January, 2003, on the restriction on the use of certain hazardous substances in electrical and electronic equipment.

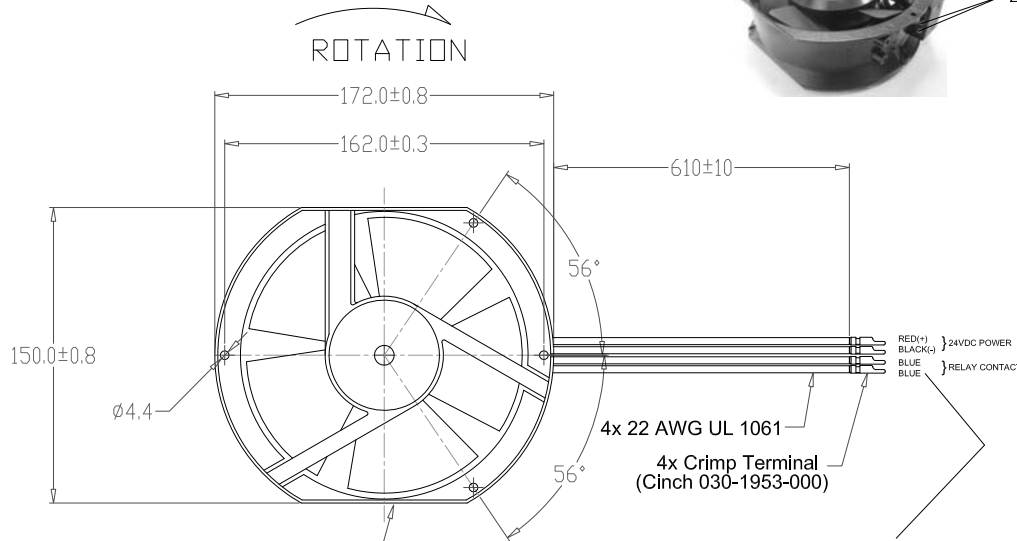
SPECIFICATIONS

CONNECTION TYPE: WIRE 610±10MM
 BEARING: BALL,
 VOLTAGE NOM. RANGE: 220/230,
 POWER(WATTS): 26/30
 RUNNING CURRENT: 0.13/0.14A,
 RPM: 2880/3400
 CFM: 200/235,
 DIMENSIONS(MM): 172X51,
 LIFE(F) EXPECTANCY: 51,000HRS.@40°C
 FREQUENCY: 50/60Hz



2X SPADE TERMINALS FOR AC INPUT

AIR FLOW



4X WIRES CAN BE CAPPED IF NOT NEEDED

RoHS
 COMPLIANT
 2002/95/EC

INSTALL COFAN LABEL HERE

③	QUALTEK 36" AC POWER CABLE	57-2050	N/A	1
②	CRIMP TERMINAL	030-1953-000		4
①	FAN, 230VAC	FAN, F-17251A230B		1
ITEM	DESCRIPTION	COFAN P/N	Material/Plating	QTY

MODEL NO	RATED VOLTAGE	VOLTAGE RANGE	FREQ	RATED AMP	RATED RPM	MAX AIR FLOW	MAX AIR PRESSURE	NOISE		
	VAC	VAC	Hz	A	RPM	CMM	CFM	MM/H2O	INCH/H2O	DBA
F-17251A230B	230	160-260	50/60	0.13/0.14	2850/3350	5.4/6.6	200/235	16/201	0.63/0.79	52.2/55.8

DO NOT SCALE DRAWING		NAME:	DATE:	CUSTOMER DRAWING NUMBER:	COFAN USA 46177 WARM SPRINGS BLVD FREMONT CA 94539	
UNLESS OTHERWISE SPECIFIED DIMENSIONS ARE IN MILLIMETRE TOLERANCES ARE:		DRAWN BY:	Jun	11/25/08	CUSTOMER PART NUMBER:	NAME: FAN, 172x51mm, 230VAC
1 PLACE .X	± 0.4	CHECKED BY:			CUSTOMER DRAWING NUMBER:	SCALE: NONE
2 PLACE .XX	±	CHECKED BY:			F-17251A230B	CUS REV: 01
3 PLACE .XXX	±	APPR BY:			CUSTOMER PART NUMBER:	DATE DRAWN: Nov-25-2008
ANGLES EXCEPT 90°	± 0.5°				F-17251A230B	SHEET: 1 OF 1
MAXIMUM SURFACE ROUGHNESS	6.4					