

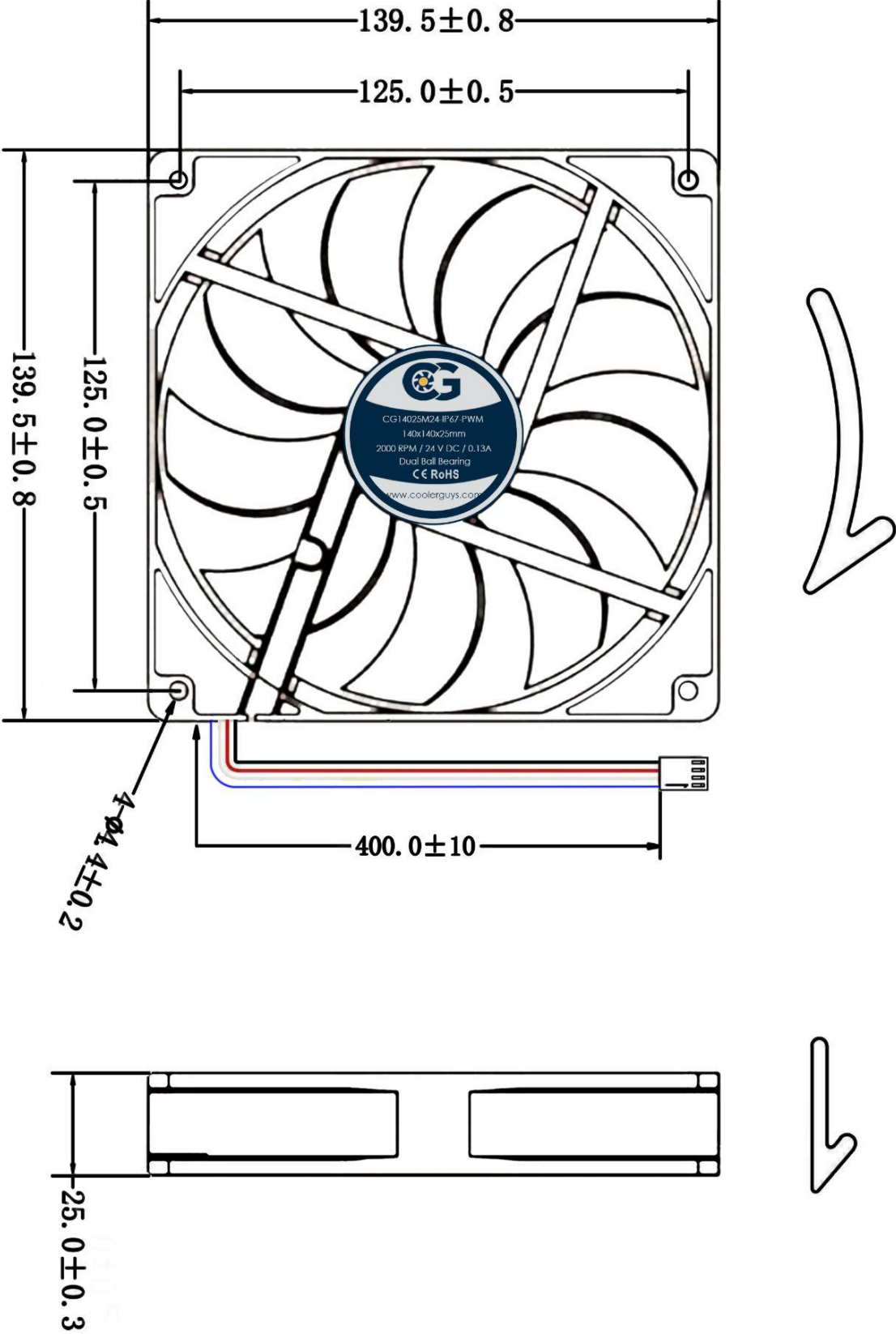


Product Specification Sheet

Model No: CG14025M24-IP67-PWM

Dimensions	140x140x25mm
Bearing System	Dual Ball Bearing
Wire Option	4 Wire Lead-Tachometer(White), PWM(Blue), Length- 400mm(15in)
Connector Option	4Pin
Rated Voltage	24 VDC
Operating Voltage	12 VDC - 26.5 VDC
Rated Operating Current	0.24 - 3.1 W (0.01A - 0.13A); Ramping Startup
Rated Speed	500 - 2000 \pm 10% RPM
Air Flow	37.06 - 116 CFM
Static Air Pressure	0.28 - 3.14 mmH ₂ O
Noise Level	17.1- 33.7 dBA
PWM Frequency	25KHZ
Motor Protection Type	By Impedance With Polarity Protection
Environmental Protection	IP67
Life Expectance	67,000 Hours at 25°C
Operation Temperature	-10°C to +70°C
Net Weight	152g
Options	Closed Corners

DIMENSIONS DRAWING



REFER TO THE RED LINE

