



# C1

2U Passive Air Cooler

**PRODUCT SPECIFICATIONS**

Specification Version: 07/28/2023

*(Specifications are subject to change without notice)*

C1 | Socket LGA 7529

## Model Number: C1

- Recommend for Intel® CPU as following
  - Intel® Granite Rapid AP (Socket LGA 7529)
- Passive Air Cooler for 2U Server and Up

## Overall Specification

Dimension	126.8 x 97.8 x 64.0 mm
Weight	650 g
Material	Aluminum Fin with heat pipe
Thermal Grease	Shin-Etsu 8079 Pre-Printed
TDP	450 W

## Performance Chart: Passive Cooler A43 Thermal Resistance Thermal Resistance & Pressure Drop vs. Air Flow rate

(TBD)

## Publication History:

10/20/2022: Initial Release.

*(Specifications are subject to change without notice)*

4

3

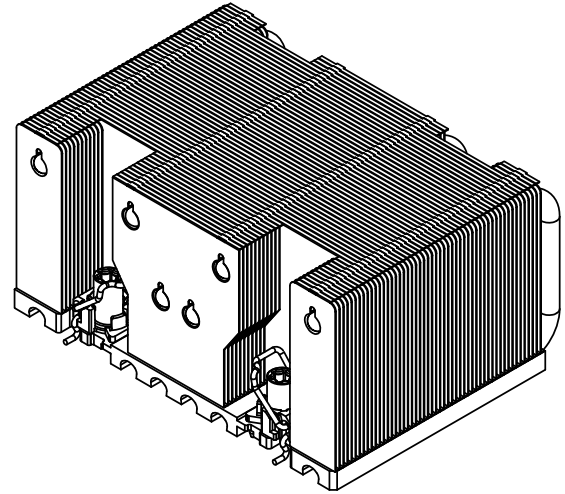
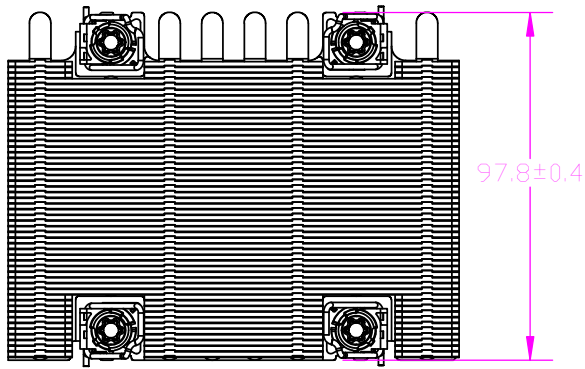
2

1

REV#	DESCRIPTION	CHECKER	DATE
0.0	INITIAL RELEASE	JUN	07/27/23

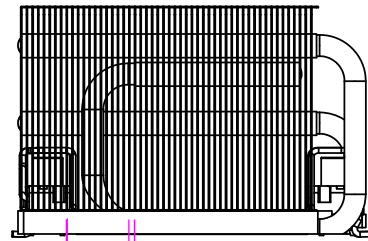
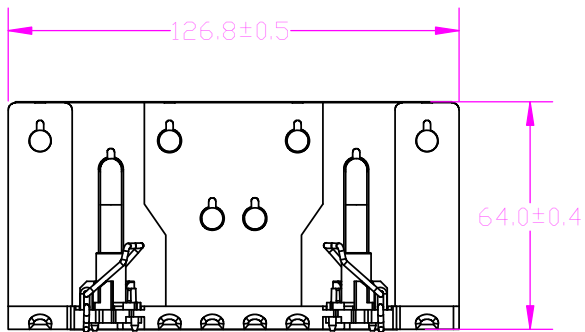
F

F



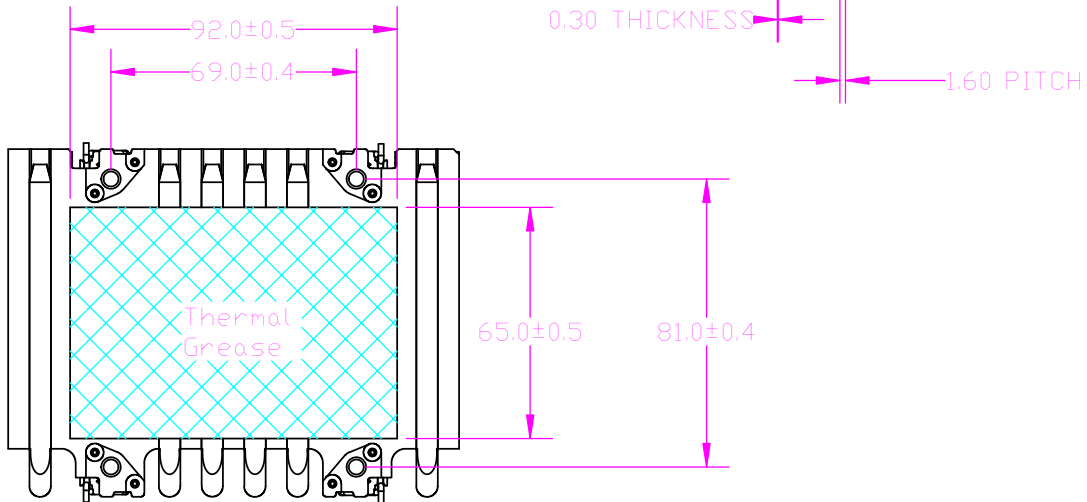
E

E



D

D



C

C

B

B

	NAME	DATE
DRAWN BY	JUN	8/11/2023
CHECKED BY	JUN	8/11/2023
ENG. APPROVED		
MFG. APPROVED		

 **DYNATRON CORPORATION**  
 TOP MOTOR  
 TITLE:  
 2U PASSIVE AIR COOLER C1  
 OVERALL DIMENSION DRAWING

**CONFIDENTIAL DOCUMENT**  
 THIS DRAWING CONTAINS INFORMATION PROPRIETARY TO DYNATRON CORPORATION AND DYNAEON INDUSTRIAL CO., LTD. ANY REPRODUCTION, DISCLOSURE, OR USE OF THIS DRAWING IS EXPRESSLY PROHIBITED EXCEPT AS DYNATRON CORPORATION AND DYNAEON INDUSTRIAL CO., LTD. MAY OTHERWISE AGREE TO IN WRITING.

VIEW		DWG. No:	REV.
UNITS	MM	DYN-BD-C1	0.0

A

A

4

3

2

1

2

1

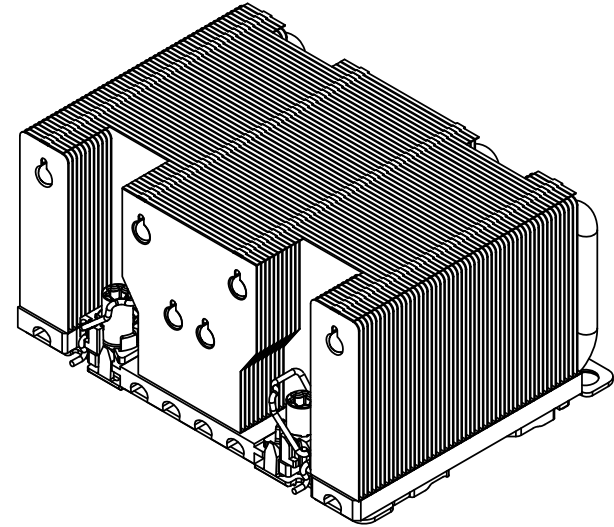
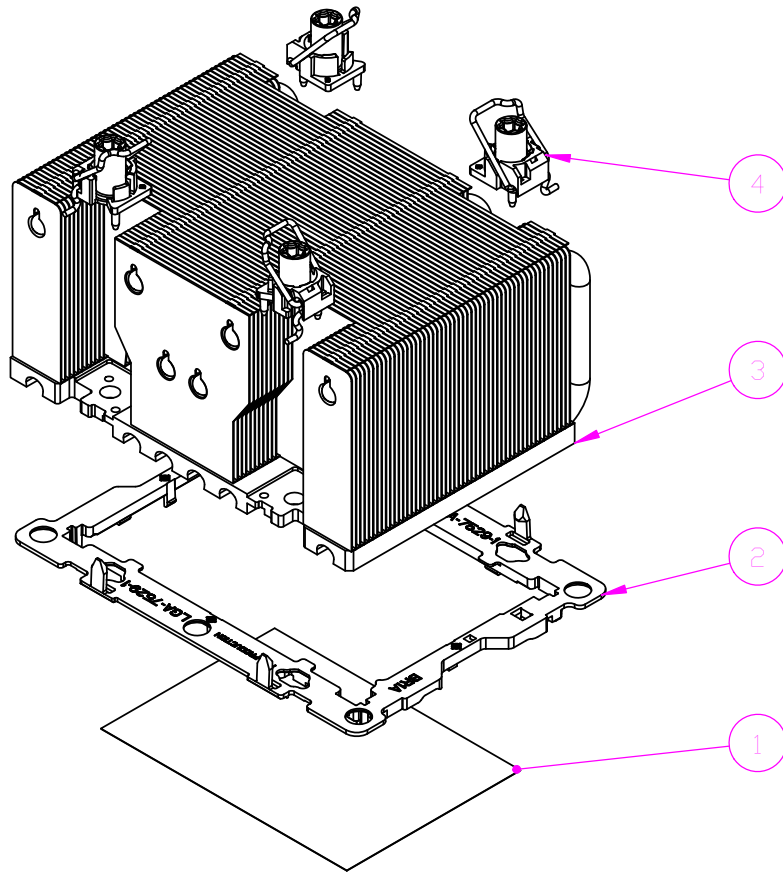
**CONFIDENTIAL DOCUMENT**

THIS DRAWING CONTAINS INFORMATION PROPRIETARY TO DYNATRON CORPORATION AND DYNAEDN INDUSTRIAL CO., LTD. ANY REPRODUCTION, DISCLOSURE, OR USE OF THIS DRAWING IS EXPRESSLY PROHIBITED EXCEPT AS DYNATRON CORPORATION AND DYNAEDN INDUSTRIAL CO., LTD. MAY OTHERWISE AGREE TO IN WRITING.

REV#	DESCRIPTION	CHECKER	DATE
0.0	INITIAL RELEASE	JUN	8/11/23

B


B



A

A

4	ANTI-TILT RETENTION KIT	PLASTIC NUT, STEEL WIRE	4
3	HEAT SINK	AL BASE, AL FIN, CU HEAT PIPE	1
2	PACKAGE CARRIER	PLASTIC WITH STEEL RELEASE HANDLE	1
1	THERMAL GREASE	SHIN-ETSU 7762	N/A
ITEM #	DESCRIPTION	MATERIAL	QTY.

	DATE	NAME	 <b>DYNATRON CORPORATION</b> TITLE: 2U Passive Cooler C1 BOM & exploded Assembly Drawing
DRAWN	8/11/2023	JUN	
CHECKED	8/11/2023	JUN	
ENG.APPR.			
MFG.APPR.			
COMMENTS:			DWG. NO. <b>DNY-EP-C1</b>
			REV <b>0.0</b>

NOTES:  
THE FIGURE IS FOR REFERENCE ONLY, AND NOT FOR SCALE

2

1