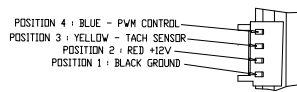
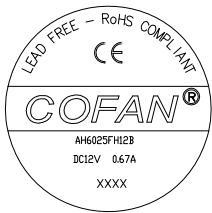
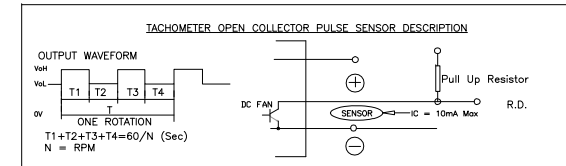
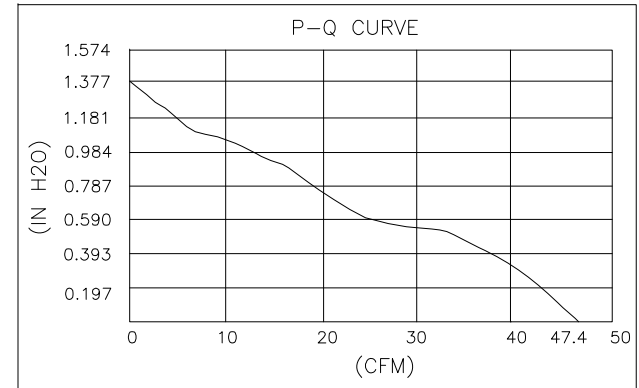
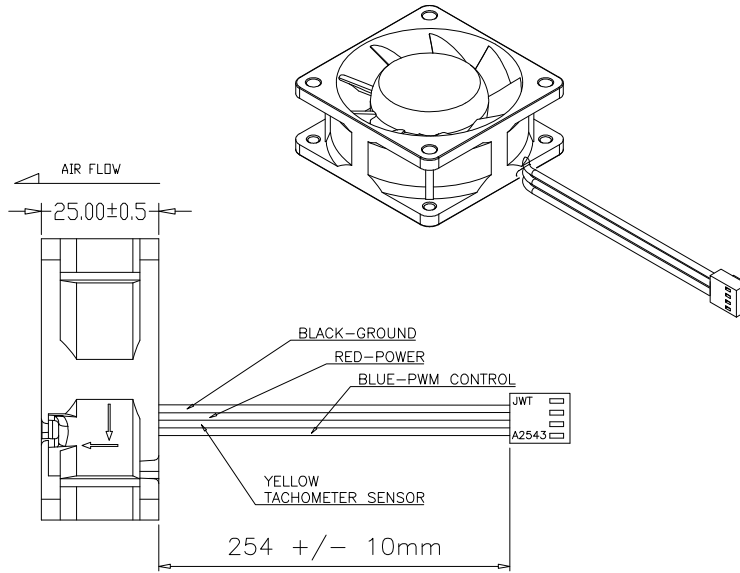
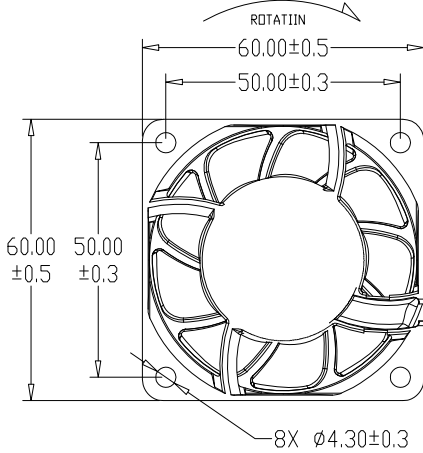


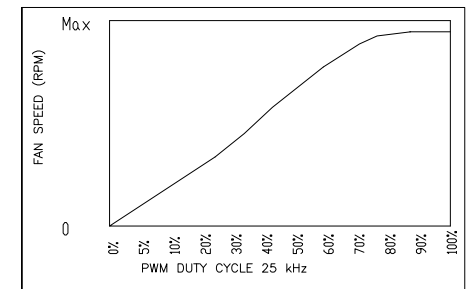


REVISION HISTORY					
REV	DESCRIPTION	DRWN	CHK'D	APP'VD	DATE
01	INITIAL RELEASE	BJF	BJF	BJF	3-27-19



NOTES:

- PWM FREQUENCY: 25kHz
- FAN WILL NOT ROTATE WHEN PWM DUTY CYCLE IS 0%
- FRAME MATERIAL: ALUMINUM
- BLADE MATERIAL: RYTON PPS HIGH TEMPERATURE PLASTIC, 265C DEFLECTION, OR EQUIV.
- EXPECTED FAN LIFE: 5 YEARS AT 85 CELCIUS
- MOTOR PROTECTION: CURRENT BLOCKING FUNCTION AND REVERSE POLARITY PROTECTION.
- DIELECTRIC STRENGTH: 50/60 Hz, 500VAC, 1 MINUTE (BETWEEN LEAD CONDUCTOR AND FRAME)
- SOUND PRESSURE LEVEL MEASURED FROM 1M FROM AIR INLET SIDE.
- BEARINGS: TEMPERATURE RATED TO 230C
- ELECTRICAL COMPONENTS: ALL COMPONENTS TO BE RATED TO 100C CONTINUOUS DUTY
- THIS DOCUMENT IS PROPRIETARY AND CONFIDENTIAL TO COFAN USA.
- LEAD WIRE TO BE UL1332 AWG24 (HIGH TEMP).
- ALL DATA BELOW IS +/- 15%



PARTS LIST	
1	1X FAN, COFAN MODEL AH6025FH12B, 2 BALL BEARING, EXTREME HIGH TEMPERATURE VERSION WITH EXTREME TEMP BEARINGS AND BLADE/FRAME MATERIAL, PWM, AND TACHOMETER
2	1X MOLEX HOUSING 22-01-3047 OR EQUIV. 4X MOLEX TERMINAL 08-50-0114 OR EQUIV.

Value	Temp										
	30	40	50	60	70	80	90	100	105		
AF	181.02	90.51	45.25	22.63	11.31	5.66	2.83	1.41	1.00		
ESTIMATED MTTF	6647797	3323898	1661949	830975	415487	207744	103872	51936	36724		
ESTIMATED L10	949685	474843	237421	118711	59355	29678	14839	7419	5246		
MODEL NO	RATED VOLTAGE	OPERATING VOLTAGE	RATED CURRENT	ACTUAL CURRENT	RATED POWER	RATED SPEED	AIR FLOW @ 11000 RPM		MAX PRESSURE @ 11000 RPM		NOISE LEVEL
	V	V	A	A	W	RPM	CMM	CFM	mmH ₂ O	InH ₂ O	
AH6025FH12B	12	9-13.5	0.67	0.67	8.04	11000	1.342	47.4	35.00	1.378	53

RoHS Compliant 2002/95/EC

DO NOT SCALE DRAWING

DRAWING NUMBER: AH6025FH12B-05

MATERIAL: 48664 MILMONT DRIVE FREMONT CA

FINISH: FAN, 60x25MM, 12V, 2 BALL BEARING, HIGH TEMP VERSION PWM, TACH

DRAWN BY: BEN

PART NUMBER: AH6025FH12B-05

REV: 01

ENGINEER:

SHEET: DATE DRAWN: 3-27-19 SCALE: 1:1

UNLESS OTHERWISE SPECIFIED DIMENSIONS ARE IN MILLIMETRE TOLERANCES ARE:

1 PLACE .X	± 0.4
2 PLACE .XX	± 0.25
3 PLACE .XXX	± 0.13
ANGLES EXCEPT 90°	± 1°

MAXIMUM SURFACE ROUGHNESS 125√

COFAN ORDERING PART # AH6025FH12B-05 REV 01