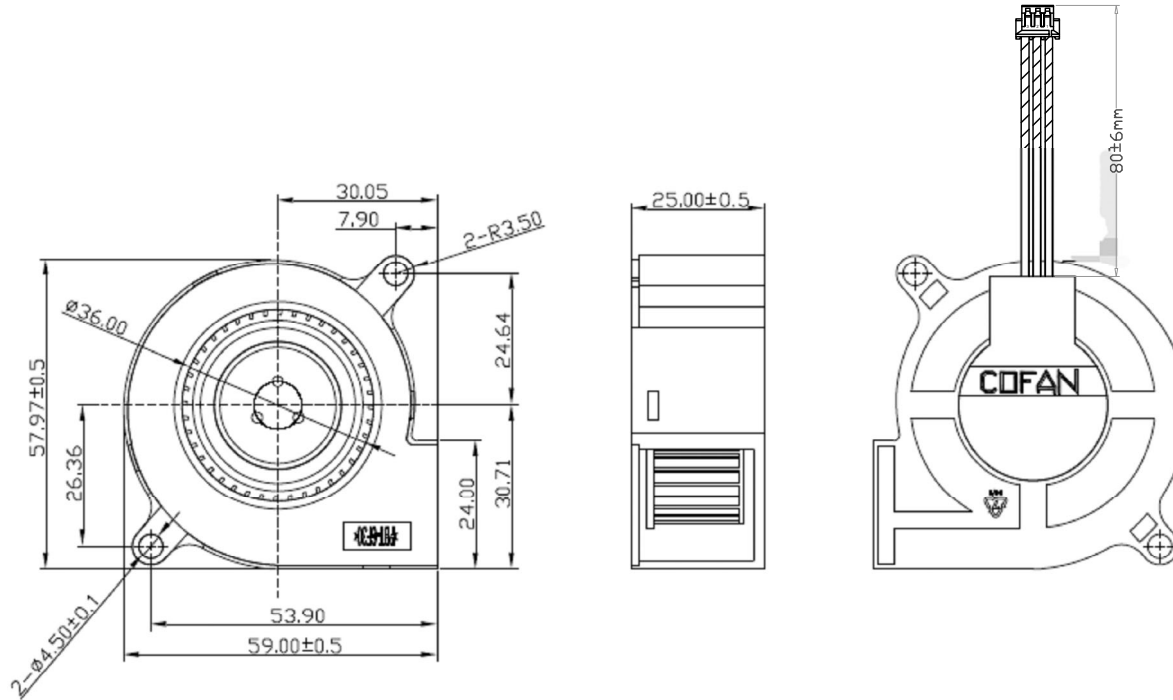


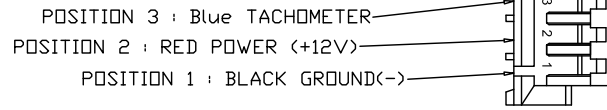
NOTICE - PROPRIETARY INFORMATION
 THE DESIGN AND RELATED INFORMATION CONTAINED HEREIN IS THE SOLE PROPERTY OF COFAN USA INC. THE DISCLOSURE OF THIS INFORMATION DOES NOT CONSTITUTE THE RELEASE OF ANY PROPRIETARY RIGHTS THEREIN. PERMISSION TO REPRODUCE THIS INFORMATION OR THE PRODUCTS DISCLOSED HEREIN MUST BE OBTAINED IN WRITING FROM COFAN USA INC.

REVISION HISTORY					
REV	DESCRIPTION	DRWN	CHK'D	APPVD	DATE
01	INITIAL RELEASE				10-19-22

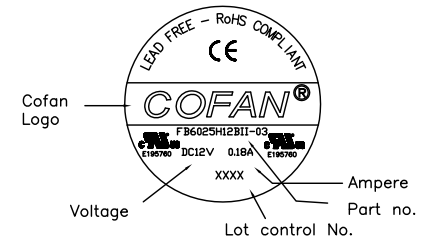
TO ORDER BLOWER PER THIS DRAWING USE COFAN PART # FB6025H12BII-03 REV 01



PARTS LIST	
①	1X BLOWER, COFAN MODEL FB6025H12BII, 2 BALL BEARING, 3 WIRE WITH TACHOMETER
②	1X JST 3 PIN CONNECTOR #ZHR-3P or EQUIVALENT 3X JST CONTACT SZH-002T-P0.5 or EQUIVALENT



RoHS
 Compliant
 2002/95/EC
 UL# E195760
 CE# EN5008-1



Value	Temp	25	30	40	50	60	70
AF		45.25	32	16	8	4	2
ESTIMATED MTTF		1801739	1274022	637011	318506	159253	79626
ESTIMATED L10		257391	182003	91002	45501	22750	11375

MODEL NO	RATED VOLTAGE V	OPERATING VOLTAGE V	RATED CURRENT A	ACTUAL CURRENT A	RATED POWER W	RATED SPEED RPM	MAX. AIR FLOW		MAX. STATIC AIR PRESSURE		NOISE LEVEL dBA
							CMM	CFM	mmH2O	InH2O	
FB6025H12BII	12	10.8~13.2	0.18±10%	0.13±10%	2.16	3300±10%	0.164	5.80	8.89	0.350	36.2

DO NOT SCALE DRAWING UNLESS OTHERWISE SPECIFIED DIMENSIONS ARE IN MILLIMETRE TOLERANCES ARE:	MATERIAL: -----	CUSTOMER DRAWING NUMBER: -----	COFAN USA 46177 WARM SPRINGS BLVD FREMONT CA 94539		
1 PLACE .X ± 0.3 2 PLACE .XX ± 0.2 3 PLACE .XXX ± 0.13 ANGLES EXCEPT 90° ± 0.5° MAXIMUM SURFACE ROUGHNESS 3.2√	FINISH: -----	CUSTOMER PART NUMBER: -----	NAME: Blower, 12V, 2 Ball, AWG28		
	DRAWN BY:	COFAN DRAWING NUMBER: FB6025H12BII-03	SCALE: 1:1	CUS REV: -	COF REV: 01
	APPR BY:	COFAN PART NUMBER: FB6025H12BII-03	SHEET: 1 OF 1	DATE DRAWN: Oct-19-2022	