

A39

3U Active Air Cooler

PRODUCT SPECIFICATIONS

Table of Contents

| | |
|-----------------------------------|---|
| 1. PRODUCT DESCRIPTION | 2 |
| 2. THERMAL PERFORMANCE CURVE..... | 4 |
| 3. DIMENSION DRAWINGS..... | 5 |

Model Number: A39

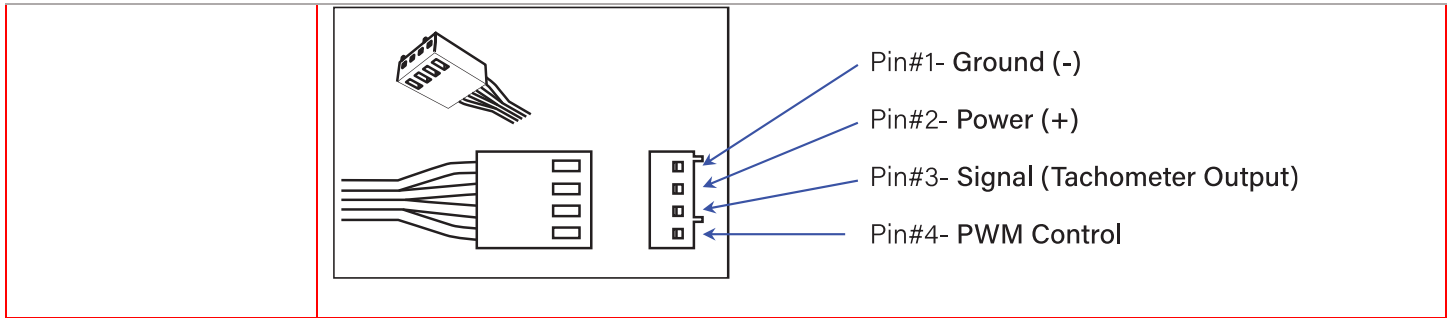
- AMD® Ryzen Threadripper Processor, Socket sWRX8, sTRX4, TR4, and AMD® Epyc Processor Socket SP3
- Active side-blow cooler for 3U Server and Workstation

Overall Specification

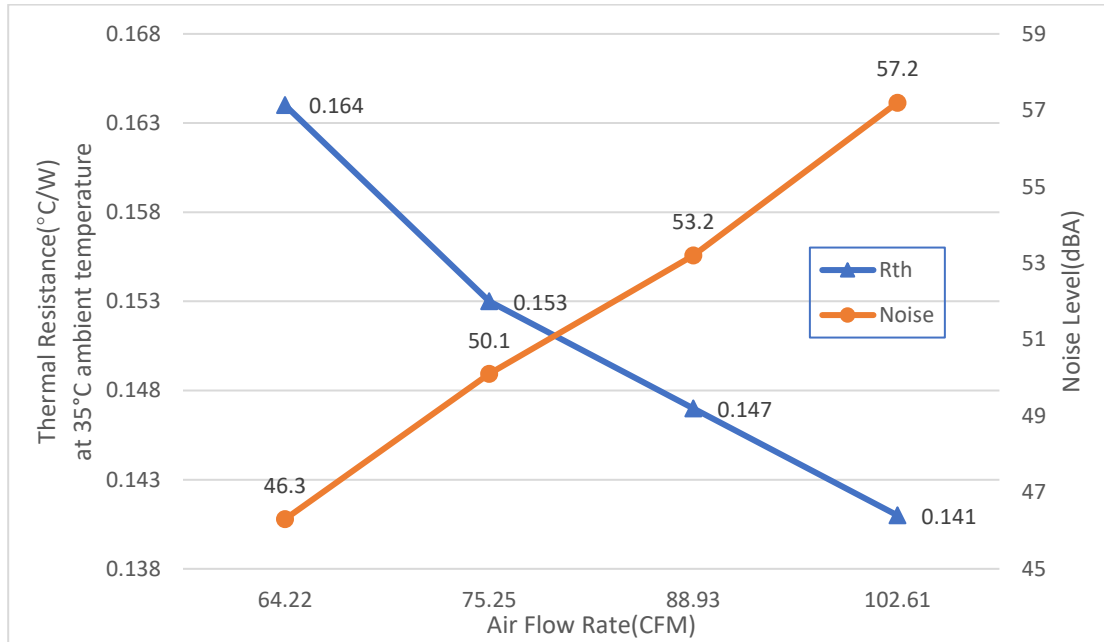
| | |
|-----------------|--|
| Dimension | 120 x 82 x 110 mm |
| Weight | 600 g |
| Material | Aluminum Heatsink with Heatpipe Embedded |
| Fan | 8038 Axial PWM Fan for Heat Exhausting |
| Mounting Method | Convenient Heat Sink Screw Captive Mounting |
| Thermal Grease | Shin-Etsu 7762 pre-printed |
| TDP | Support CPU Power up to 280 Watts Heat Dissipation |

Fan Specification

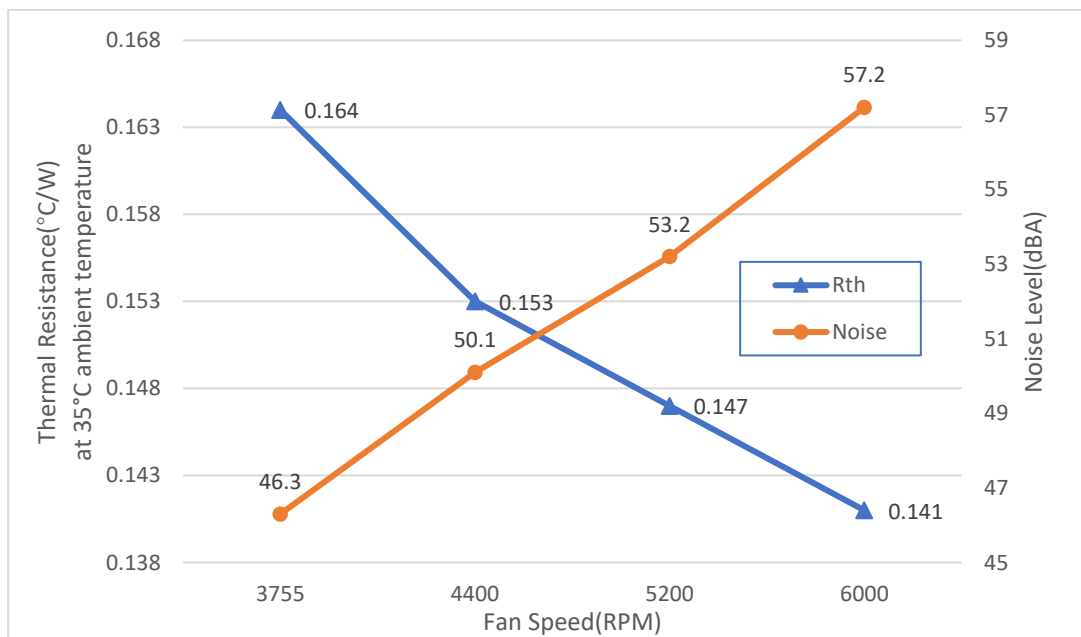
| | |
|-----------------------|--|
| Model Number | DF128038BU - PWM |
| Dimension | 80 x 80 x 38 mm |
| Bearing | Double Ball |
| Rated Voltage | 12V |
| Rated Speed | At Duty Cycle 0~20%: 1350 ± 10% RPM At Duty Cycle 50%: 3100 ± 10% RPM At Duty Cycle 100%: 6000 ± 5% RPM |
| Input Power | At Duty Cycle 0~20%: 1.20 W At Duty Cycle 50%: 3.84 W At Duty Cycle 100%: 22.8 W |
| Maximum Airflow | At Duty Cycle 0~20%: 23.09 CFM At Duty Cycle 50%: 53.01 CFM At Duty Cycle 100%: 102.60 CFM |
| Rated Static Pressure | At Duty Cycle 0~20%: 1.15 mm-H2O At Duty Cycle 50%: 6.07 mm-H2O At Duty Cycle 100%: 22.75 mm-H2O |
| Acoustical Noise | At Duty Cycle 0~20%: 24.77 dBA At Duty Cycle 50%: 42.82 dBA At Duty Cycle 100%: 57.16 dBA |
| Lead Wire Pin Out | Pin#1- Black(-) Pin#2- Yellow(+) Pin#3- Green(Tachometer/ Signal Output) Pin#4- Blue (PWM) Lead Wire Pin Out Diagram : |

A39 | Socket sTRX4/TR4/ SP3

Performance Chart: Active Cooler A39 Thermal Resistance Cooling Performance vs. Airflow



Cooling Performance vs. Fan Speed



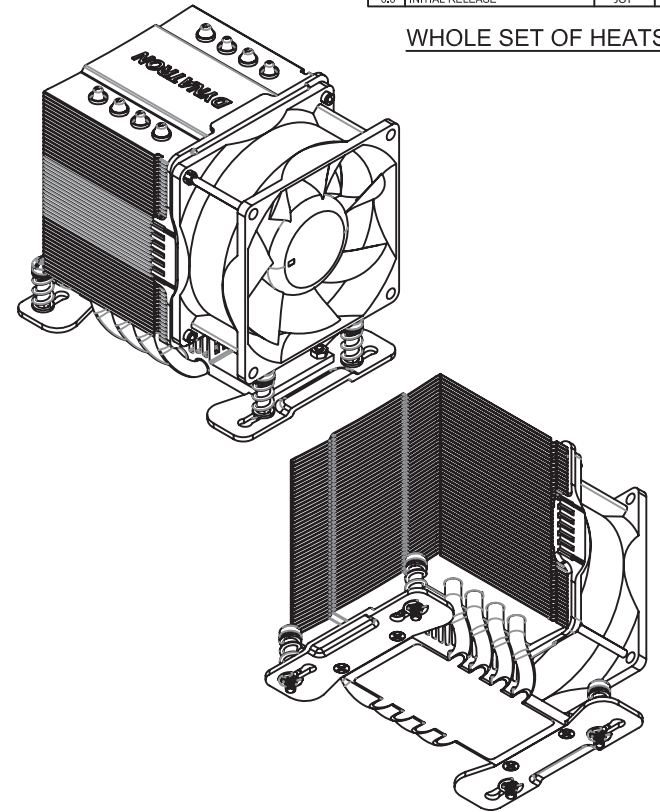
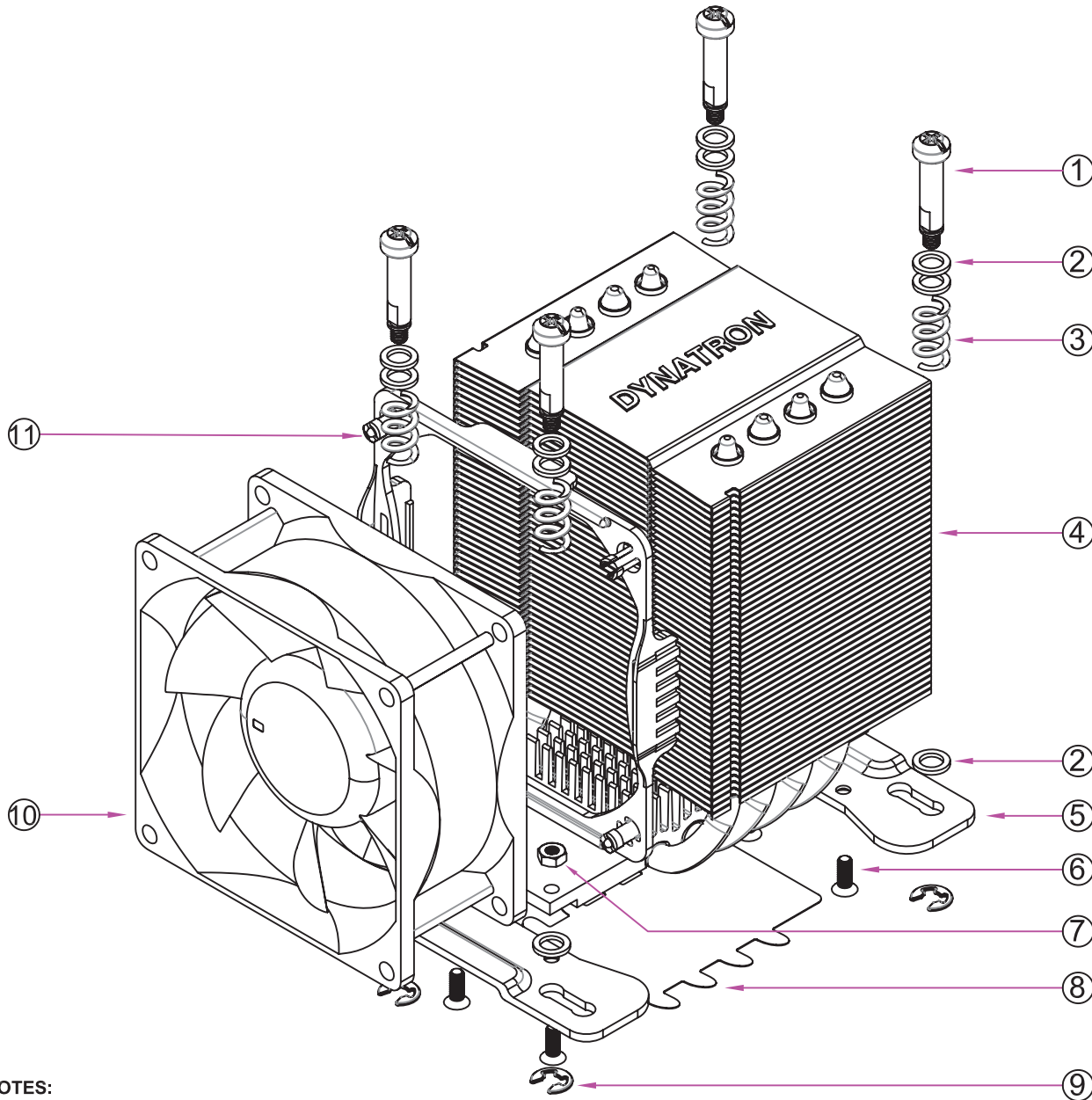
CONFIDENTIAL DOCUMENT

THIS DRAWING CONTAINS INFORMATION PROPRIETARY TO DYNATRON CORPORATION AND DYNAEON INDUSTRIAL CO., LTD. ANY REPRODUCTION, DISCLOSURE, OR USE OF THIS DRAWING IS EXPRESSLY PROHIBITED EXCEPT AS DYNATRON CORPORATION AND DYNAEON INDUSTRIAL CO., LTD. MAY OTHERWISE AGREE TO IN WRITING.

ASSEMBLY PARTS

| REV# | DESCRIPTION | CHECKER | DATE |
|------|-----------------|---------|------------|
| 0.0 | INITIAL RELEASE | JOY | 06/01/2021 |

WHOLE SET OF HEATSINK



| | | | |
|----|---------------------------------|--|----|
| 11 | Fan Mounting Bracket | Plastic | 1 |
| 10 | Fan, DF128038BU-PWMG, 6000 RPM | Plastic (PBT) | 1 |
| 9 | C-Ring | Steel | 4 |
| 8 | Thermal Grease, Pre-printed | Shin-Etsu 7762 | 1 |
| 7 | Nut, Bracket, M3*0.5 | Steel | 2 |
| 6 | Screw, Bracket, M3 x 8mmL | Steel | 4 |
| 5 | Heatsink Bracket | SK-7 | 2 |
| 4 | Heatsink, with Stacked Fins | (4x)Heat Pipes Aluminum Base Aluminum Stacked Fins | 1 |
| 3 | Spring | SWP (0850) | 4 |
| 2 | Washer | Steel | 12 |
| 1 | Screw, Heatsink Mounting (4380) | Steel | 4 |

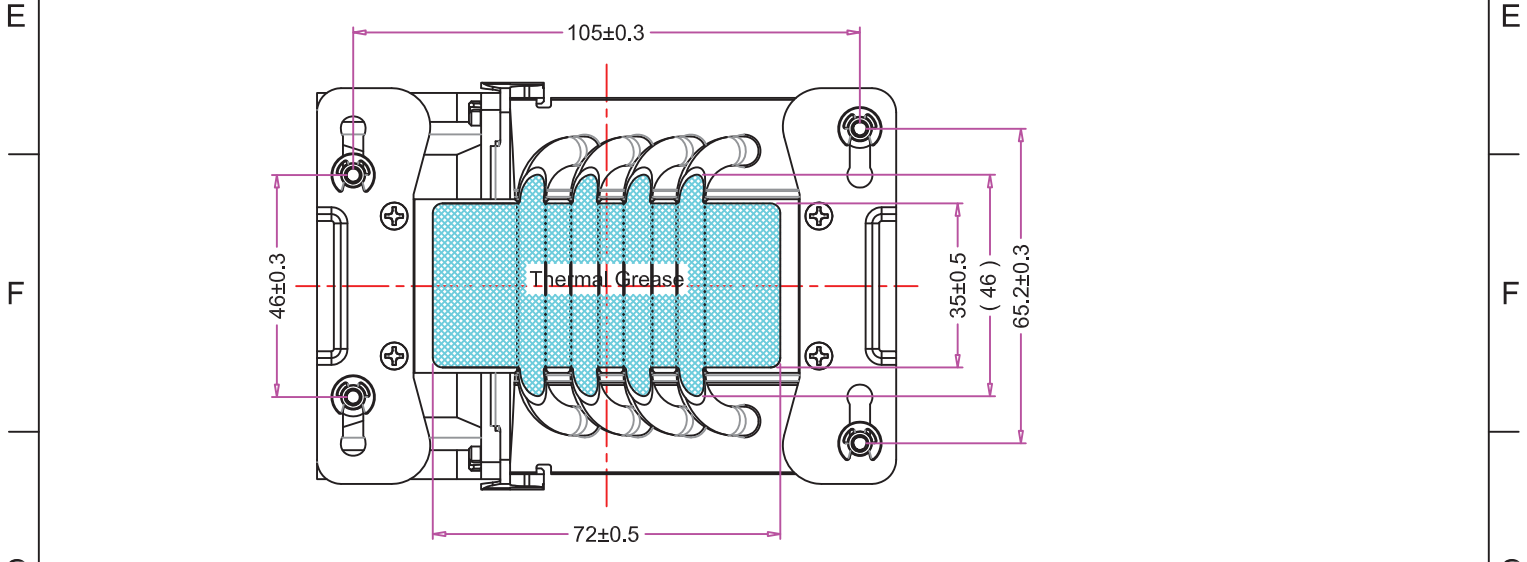
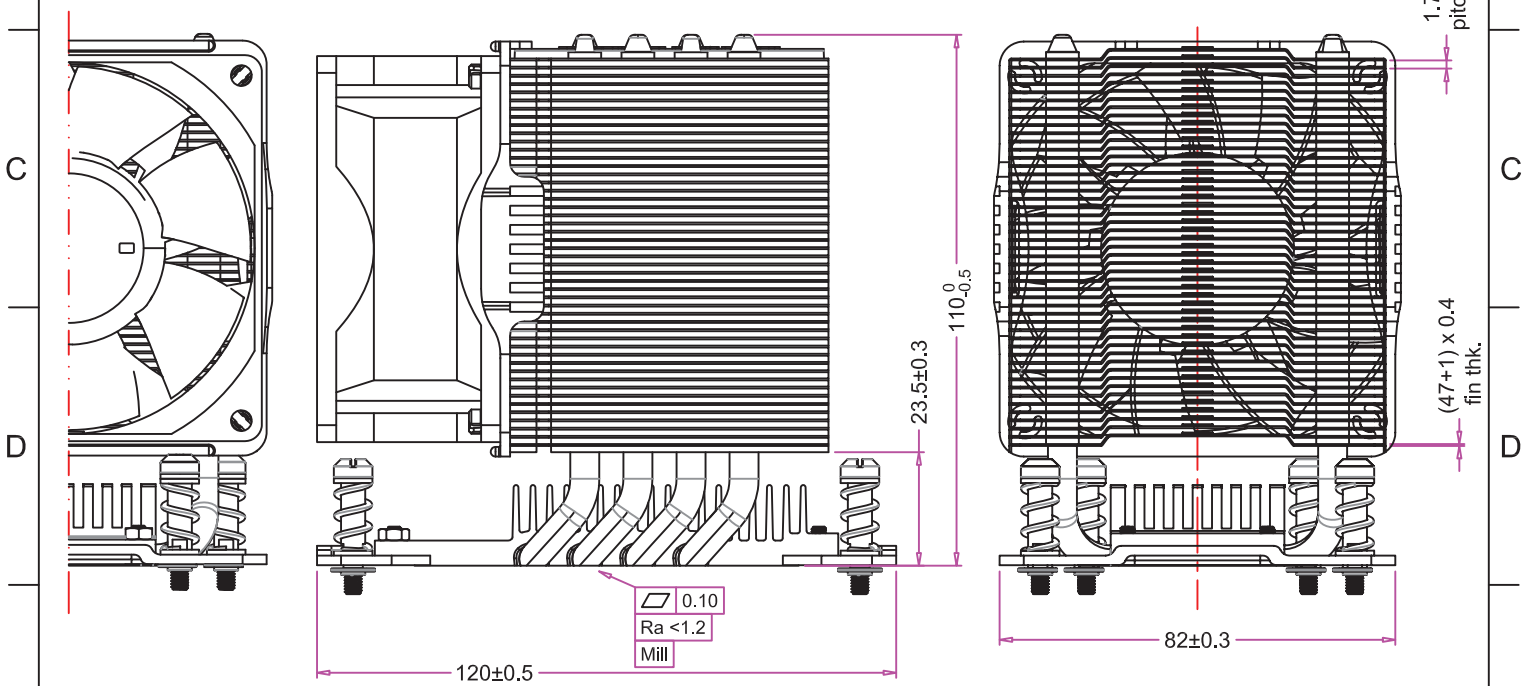
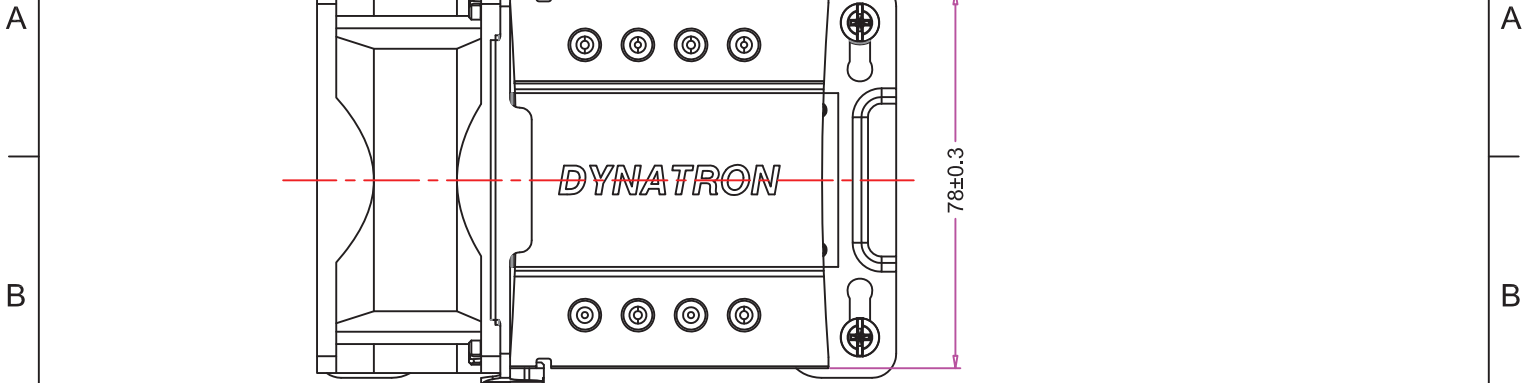
NOTES:

1. THE FIGURE IS FOR REFERENCE ONLY, AND NOT FOR SCALE
2. OVERALL DIMENSION : 120 x 82 x 110 mm
3. OVERALL WEIGHT ESTIMATED : 600 g


| ITEM# | DESCRIPTION | | MATERIAL | QTY. |
|-------|-------------|------|--|------|
| | DATE | NAME | | |
| | 06/01/2021 | Engr | | |
| | CHECKED | Engr | TITLE: 3U Active Cooler A39 BOM & Exploded Assembly Drawing | |
| | ENG. APPR. | | | |
| | MFG. APPR. | | | |
| | G.A. | | | |
| | COMMENTS: | | DWG. No: | REV |
| | | | DYN-EP- A39 | 0.0 |

1 2 3 4 5 6 7

| ITEM# | DESCRIPTION | CHECKER | DATE |
|-------|-----------------|---------|------------|
| 0.0 | INITIAL RELEASE | JOY | 06/01/2021 |

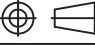


| | NAME | DATE |
|---------------|------|------------|
| DRAWN BY | enr | 06/01/2021 |
| CHECKED BY | enr | 06/01/2021 |
| ENG. APPROVED | | |
| MFG. APPROVED | - | - |


DYNATRON CORPORATION
 TOP MOTOR

TITLE:
 3U Active Cooler A39
 BOM & Overall Dimension Drawing

CONFIDENTIAL DOCUMENT
 THIS DRAWING CONTAINS INFORMATION PROPRIETARY TO DYNATRON CORPORATION AND DYNAEON INDUSTRIAL CO., LTD. ANY REPRODUCTION, DISCLOSURE, OR USE OF THIS DRAWING IS EXPRESSLY PROHIBITED EXCEPT AS DYNATRON CORPORATION AND DYNAEON INDUSTRIAL CO., LTD. MAY OTHERWISE AGREE TO IN WRITING.

| | | | |
|-------|---|--------------------|------------|
| VIEW |  | DWG. No: | REV. |
| UNITS | MM | DYN-BD- A39 | 0.0 |

1 2 3 4 5 6 7