



# A26

2U Active Air Cooler

**PRODUCT SPECIFICATIONS**

## Table of Contents

1. PRODUCT DESCRIPTION .....	2
2. THERMAL PERFORMANCE CURVE.....	4
3. DIMENSION DRAWINGS.....	5
5. RoHS CERTIFICATE.....	6

**A26 | Socket sTRX4/TR4/ SP3**

## Model Number: A26

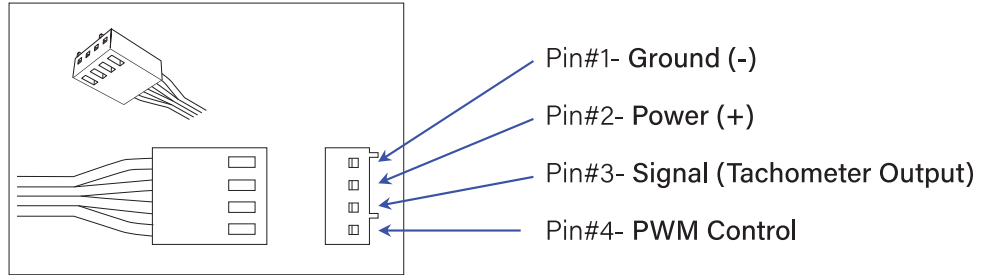
- AMD® Ryzen Threadripper Processor, Socket sWRX8, sTRX4, TR4, and AMD® Epyc Processor Socket SP3
- Active Cooler for 2U Server and up

## Overall Specification

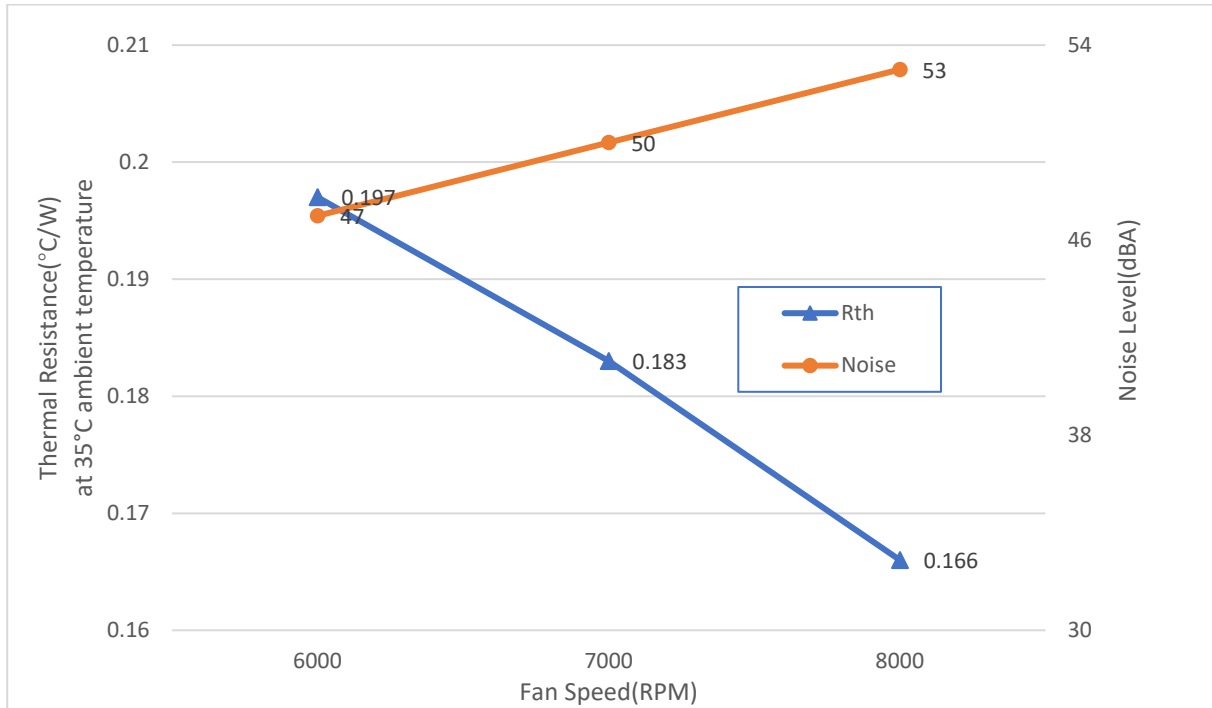
Dimension	119 x 79 x 65 mm
Weight	450 g
Material	Aluminum Heatsink with Heatpipe Embedded
Fan	6025 Axial PWM Fan for Heat Exhausting
Mounting Method	Convenient Heat Sink Screw Captive Mounting
Thermal Grease	Shin-Etsu 7762 pre-printed
TDP	Support CPU Power up to 280 Watts Heat Dissipation

## Fan Specification

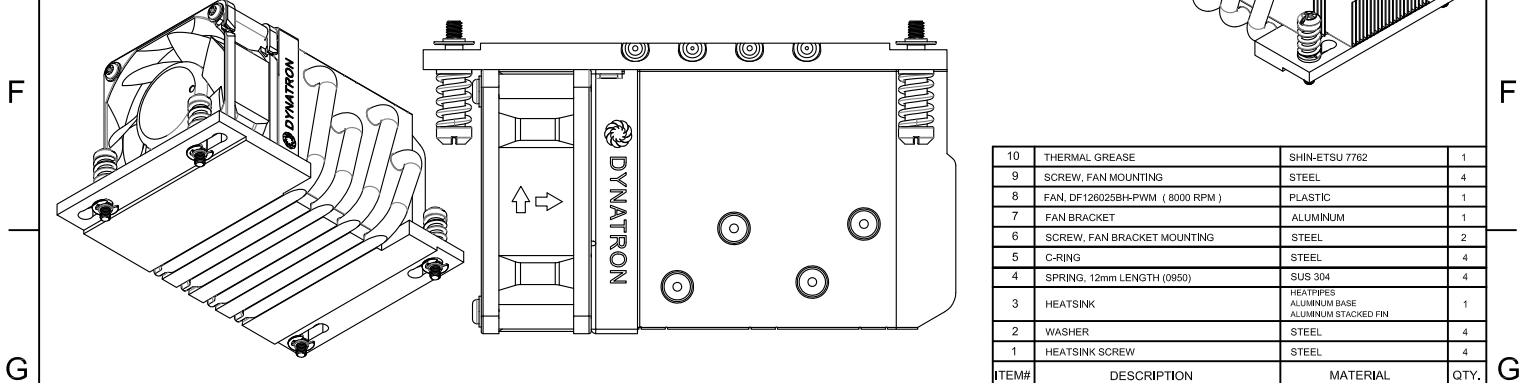
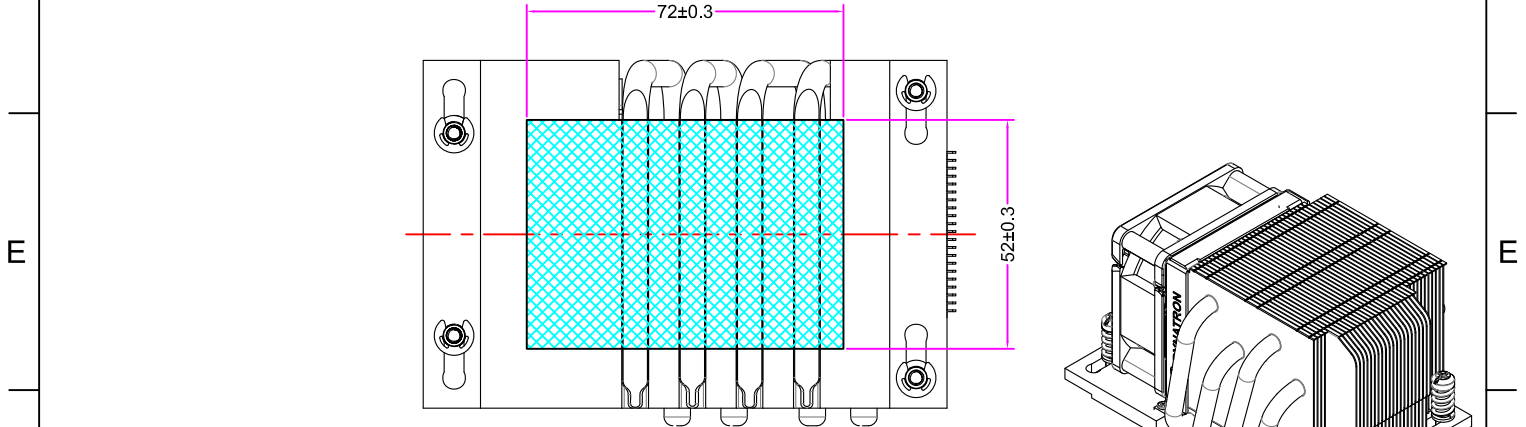
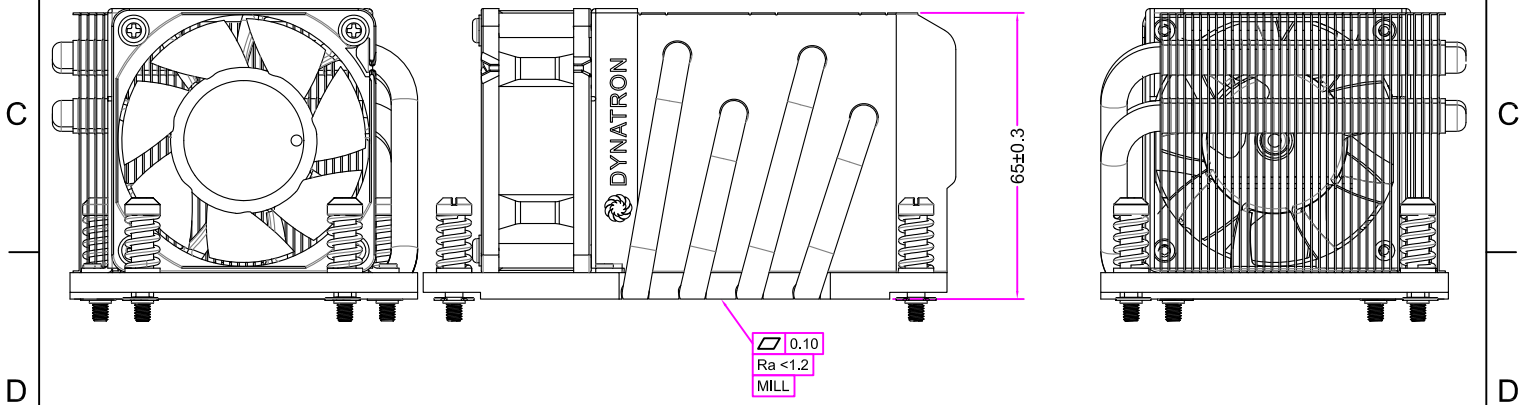
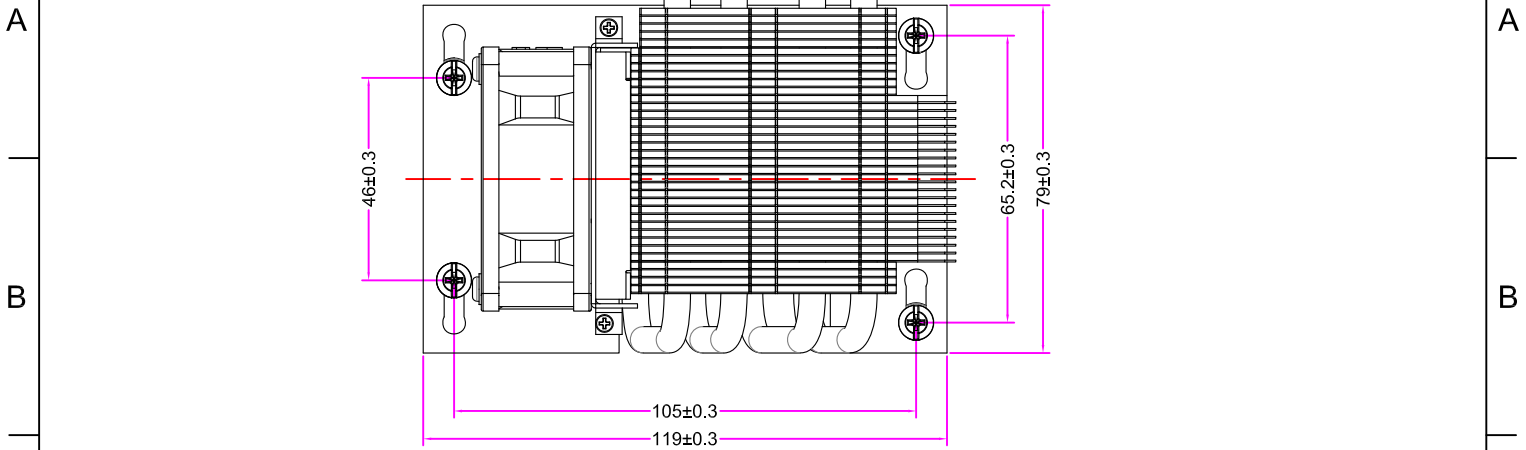
Model Number	DF126025BH-PWM
Dimension	60 x 60 x 25 mm
Bearing	Double Ball
Rated Voltage	12V
Rated Speed	At Duty Cycle 0~20%: 1600 ± 200 RPM At Duty Cycle 50%: 4000 ± 10% RPM At Duty Cycle 100%: 8000 ± 10% RPM
Input Power	At Duty Cycle 0~20%: 1.20 W At Duty Cycle 50%: 2.28 W At Duty Cycle 100%: 7.20 W
Maximum Airflow	At Duty Cycle 0~20%: 9.28 CFM At Duty Cycle 50%: 23.21 CFM At Duty Cycle 100%: 46.41 CFM
Rated Static Pressure	At Duty Cycle 0~20%: 0.76 mm-H2O At Duty Cycle 50%: 4.76 mm-H2O At Duty Cycle 100%: 19.04 mm-H2O
Acoustical Noise	At Duty Cycle 0~20%: 18 dBA At Duty Cycle 50%: 37.9 dBA At Duty Cycle 100%: 53 dBA
Lead Wire Pin Out	Pin#1- Black(-) Pin#2- Yellow(+) Pin#3- Green(Tachometer/ Signal Output) Pin#4- Blue (PWM)

**A26 | Socket sTRX4/TR4/ SP3****Lead Wire Pin Out Diagram :**


## Performance Chart: Active Cooler A26 Thermal Resistance Cooling Performance vs. Fan Speed



REV#	DESCRIPTION	CHECKER	DATE
0.0	INITIAL RELEASE	LANG	05/31/2017
1.0	HEATSINK BASE DESIGN CHANGE	LANG	07/13/2017



	NAME	DATE
DRAWN BY	enr	07/13/2017
CHECKED BY	LANG	07/13/2017
ENG. APPROVED		
MFG. APPROVED	-	-


**DYNATRON CORPORATION**  
 TOP MOTOR

**TITLE: 2U Active Cooler A26**  
**BOM & Overall Dimension Drawing**

**CONFIDENTIAL DOCUMENT**

THIS DRAWING CONTAINS INFORMATION PROPRIETARY TO DYNATRON CORPORATION AND DYNAEON INDUSTRIAL CO., LTD. ANY REPRODUCTION, DISCLOSURE, OR USE OF THIS DRAWING IS EXPRESSLY PROHIBITED EXCEPT AS DYNATRON CORPORATION AND DYNAEON INDUSTRIAL CO., LTD. MAY OTHERWISE AGREE TO IN WRITING.

VIEW		DWG. No:	REV.
UNITS	MM	<b>DYN-BD-A26</b>	<b>1.0</b>



## Certificate of Environment Protection 環保證明書

Document Number: RH\_A26-R0

<b>Customer:</b> 客戶名稱:	<b>Company:</b> _____ <b>Address:</b> _____ <b>Phone Number:</b> ____ - ____ - _____
<b>Issue Date:</b>	05/31/2017
<b>Product Model Number:</b>	A26
<p><b>Dynatron Corporation</b> hereby declares and certifies that all components manufactured are RoHS compliant according to the definitions and restrictions given by the European Union's Restriction (Directive 2002/95/EC) (Decision2011/65/EU)RoHS 2, on the restriction of the use of certain Hazardous Substances in the electrical and electronic equipment. Also, compliance to the most recent list of substances on the REACH candidate list.</p> <p><b>Number of substances on the Candidate List: 168 (last updated: 17/12/2015)</b></p> <p>No exemptions are claimed in order for the part to be compliant with the RoHS directive.</p> <p><b>Dynatron Corporation / 政久興業股份有限公司</b>證明所有產品,零件 (包括附屬品, 包裝類) 之環境管理物質完全符合 <b>RoHS, WEEE,</b> 及該環保標準之規定, 並承諾遵循以上之證明.</p> <div style="text-align: right; margin-top: 20px;"> <p><b>Dynatron Corporation.</b>            33200 Western Ave,            Union City, CA 94587            www.Dynatron-corp.com</p> </div> <p style="margin-top: 20px;"> <b>Title (職務):</b> _____ ASSISTANT-MANAGER _____         </p> <p style="margin-top: 10px;"> <b>Signature (簽字):</b> _____ <i>Alan Lee</i> _____         </p> <p style="text-align: right; margin-top: 10px;"> <b>Date:</b> 05 / 31 / 2017         </p>	