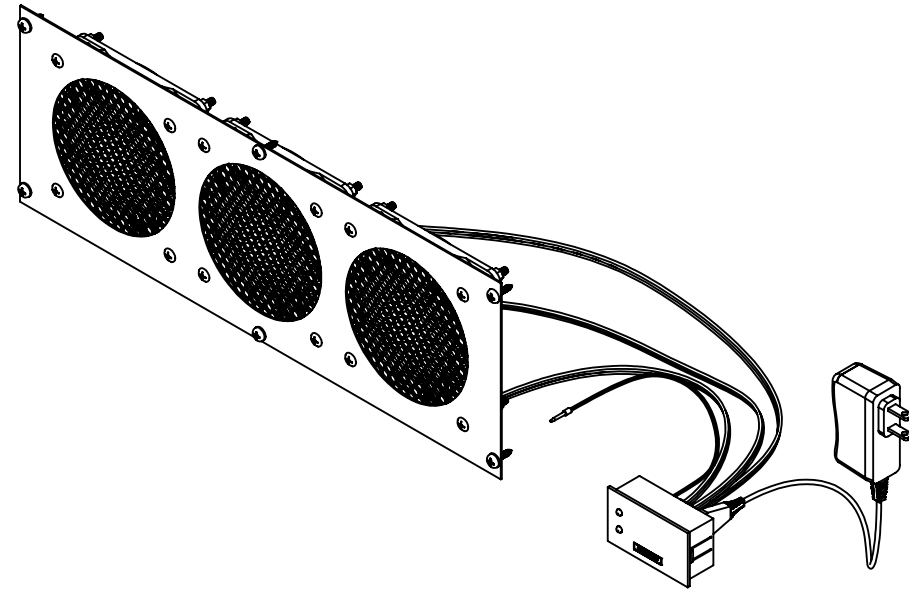


ITEM NO.	SKU	TITLE	DESCRIPTION	QTY.
1	840556091929	COOLERGUY'S 120X120X25MM 3 PIN FAN LOW SPEED FAN COOLERGUY'S 120X120X25MM 3 PIN FAN LOW SPEED FAN CG12025L12B2-3Y	COOLERGUY'S 120X120X25MM 3 PIN FAN LOW SPEED FAN CG12025L12B2-3Y	3
2			2510 MOLEX 3 PIN CONNECTOR	3
3			3 WIRE WITH TACHOMETER, LENGTH - 762mm (30IN)	3
4	840556098690	COOLERGUY'S PRE-SET THERMAL CONTROLLER (REV4)	COOLERGUY'S PRE-SET THERMAL CONTROLLER (REV4)	1
5			THERMAL PROBE PIN	1
6			WATERPROOF AND HIGH HEAT THERMOCOUPLE PROBE	1
7			32" WATERPROOF CABLE	1
8	840556087977	100-240V AC TO 12V DC POWER SUPPLY WITH 4-PIN MOLEX (1A,1000MA)	100-240V AC TO 12V DC POWER SUPPLY WITH 4-PIN MOLEX (1A,1000MA)	1
9			4PIN MOLEX CONNECTOR	1
10			1524mm (60IN) CABLE / NO AC GROUNDING	1
11	840556094494	COOLERGUY'S TRIPLE 120mm BRACKET-BLACK POWDER COATED METAL	COOLERGUY'S TRIPLE 120mm BRACKET-BLACK POWDER COATED METAL	1
12	840556087953	BLACK 120MM MESH GRILL WITH HONEYCOMB 6MM HOLES	BLACK 120MM MESH GRILL WITH HONEYCOMB 6MM HOLES	3
13	840556082705	120MM BLACK FAN FINGER GRILL	120MM BLACK FAN FINGER GRILL	3
14	840556100348	(1 - 4 PACKS) BOLTS(MACHINE SCREW) 40MM AND NUTS M4	40mm BOLT	3
15			M4 NUT	
16	840556092575	BLACK MOUNTING SCREWS FOR CABINET BRACKET: #6-13 X 5/8"	BLACK MOUNTING SCREWS FOR CABINET BRACKET: #6-13 X 5/8"	6

**CG12025L12B2-3Y 840556091929  
TRIPLE FAN SPECIFICATIONS**

<b>DIMENSIONS:</b>	120X120X25MM
<b>BEARING TYPE:</b>	DUAL BALL BEARING
<b>WIRE OPTION:</b>	3 WIRE WITH TACHOMETER, LENGTH - 762mm (30IN)
<b>CONNECTOR OPTION:</b>	3-PIN 2510 MOLEX (FEMALE HOUSING/MALE PIN)
<b>RATED VOLTAGE:</b>	12 VDC
<b>OPERATING VOLTAGE:</b>	4.9 VDC - 13.8 VDC
<b>RATED OPERATING CURRENT:</b>	0.06 AMP RUNNING
<b>RATED SPEED:</b>	1200 ±10% RPM
<b>AIR FLOW:</b>	135 CFM (COMBINED)
<b>STATIC AIRFLOW:</b>	1.16 MMH2O
<b>NOISE LEVEL:</b>	25.2 DBA (COMBINED)
<b>MOTOR PROTECTION TYPE:</b>	BY IMPEDANCE WITH POLARITY PROTECTION
<b>ENVIRONMENTAL PROTECTION:</b>	NONE
<b>LIFE EXPECTANCE:</b>	67,000 HOURS AT 25°C
<b>OPERATION TEMPERATURE:</b>	-10°C TO 70°C
<b>NET WEIGHT:</b>	411G (COMBINED)
<b>OPTIONS:</b>	OPEN CORNERS



**COOLERGUY'S**

COOLERGUY'S TRIPLE 120MM FAN COOLING KIT WITH THERMAL CONTROLLER

SKU: 840556095859

A4

SCALE: NTS

SHEET 1 OF 4

6

5

4

3

2

1

D

D

C

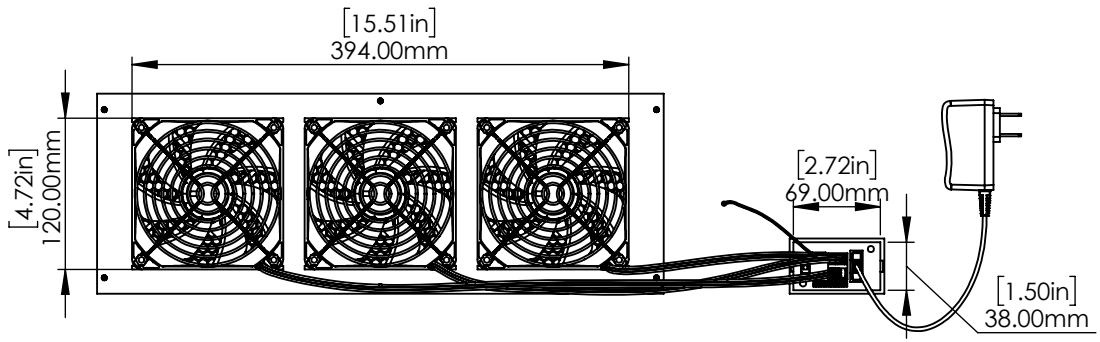
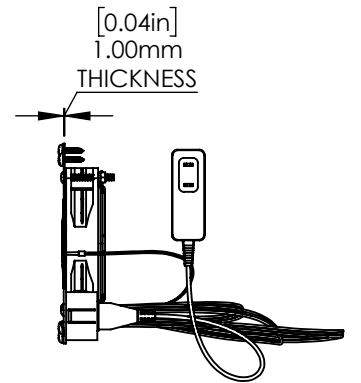
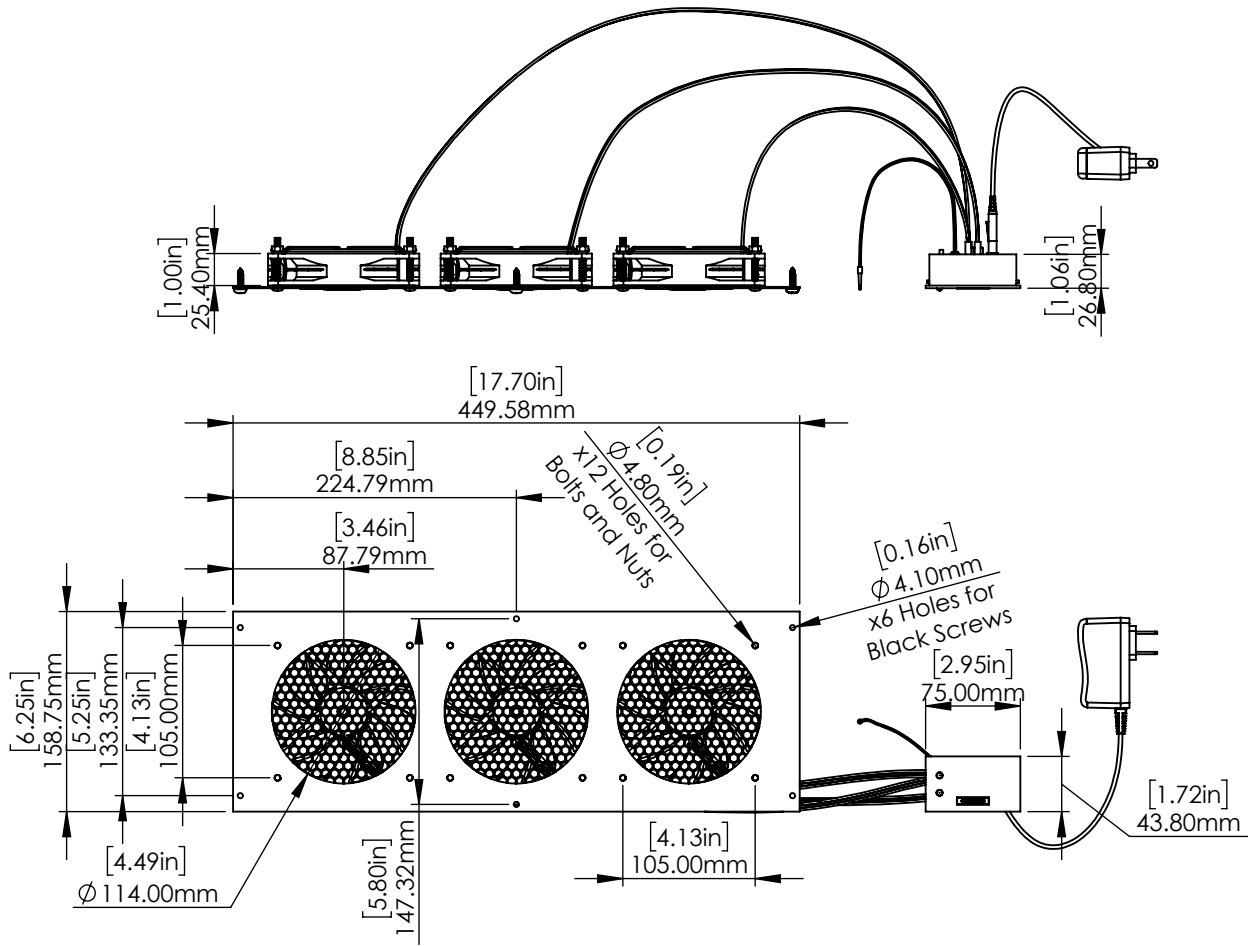
C

B

B

A

A



# COOLERGUY'S

COOLERGUY'S TRIPLE 120MM FAN COOLING KIT WITH THERMAL CONTROLLER

SKU: 840556095859	A4
SCALE: NTS	SHEET 2 OF 5

6

5

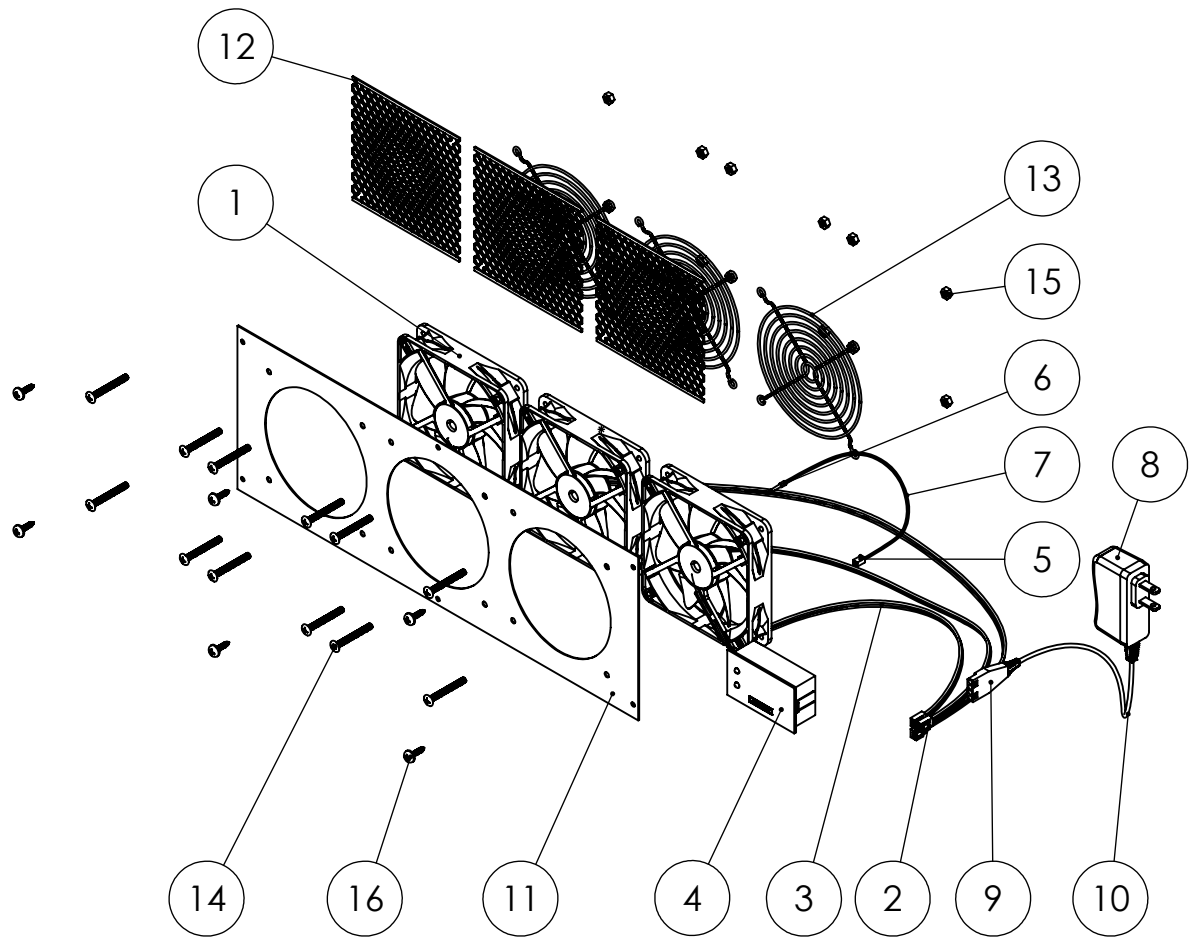
4

3

2

1

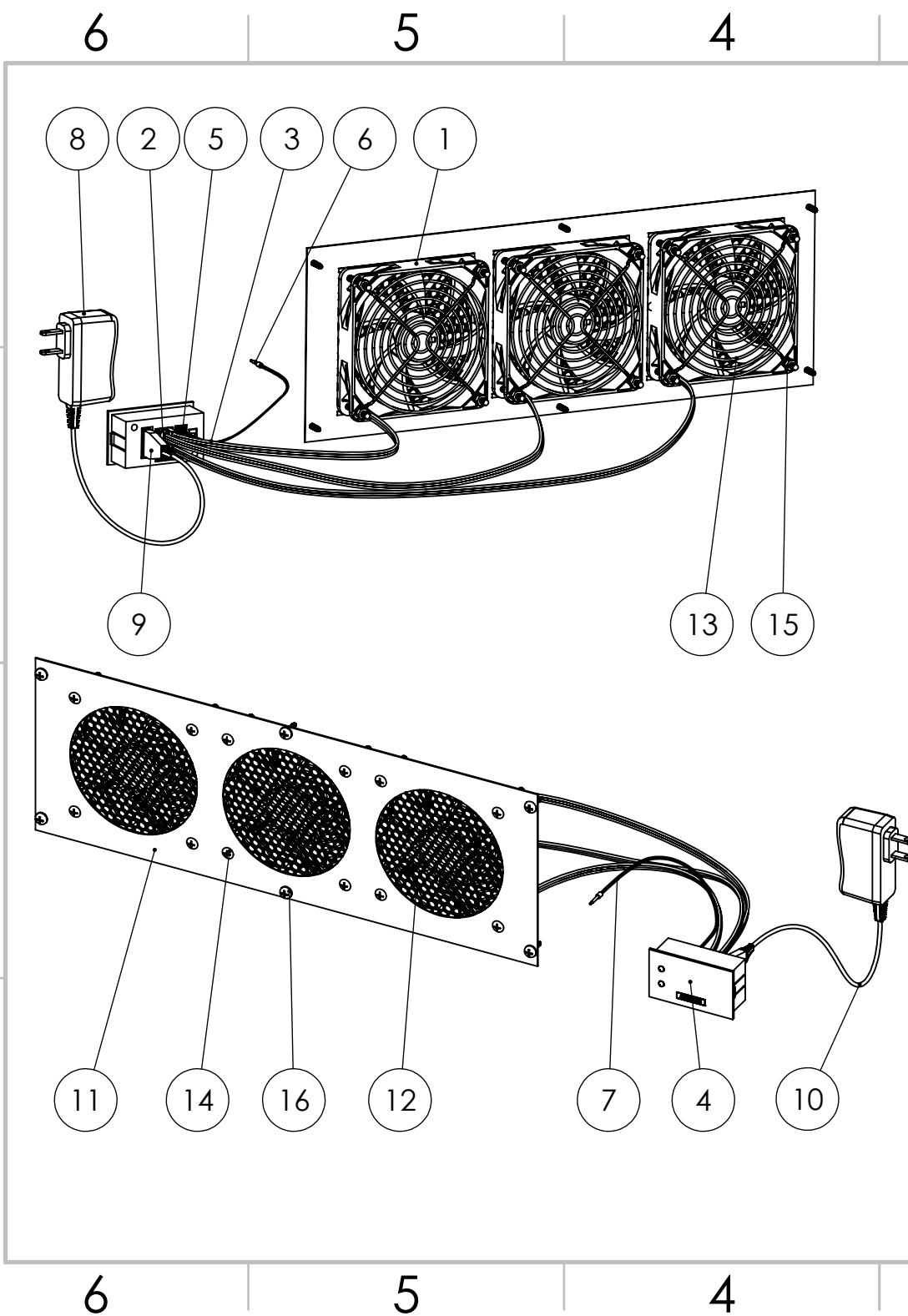
ITEM NO.	SKU	TITLE	DESCRIPTION	QTY.
1	840556091929	COOLERGYUYS 120X120X25MM 3 PIN FAN LOW SPEED FANCOOLERGYUYS 120X120X25MM 3 PIN FAN LOW SPEED FAN CG12025L12B2-3Y	COOLERGYUYS 120X120X25MM 3 PIN FAN LOW SPEED FAN CG12025L12B2-3Y	3
2			2510 MOLEX 3 PIN CONNECTOR	3
3			3 WIRE WITH TACHOMETER, LENGTH - 762mm (30IN)	3
4	840556098690	COOLERGYUYS PRE-SET THERMAL CONTROLLER (REV4)	COOLERGYUYS PRE-SET THERMAL CONTROLLER (REV4)	1
5			THERMAL PROBE PIN	1
6			WATERPROOF AND HIGH HEAT THERMOCOUPLE PROBE	1
7			32" WATERPROOF CABLE	1
8	840556087977	100-240V AC TO 12V DC POWER SUPPLY WITH 4-PIN MOLEX (1A,1000MA)	100-240V AC TO 12V DC POWER SUPPLY WITH 4-PIN MOLEX (1A,1000MA)	1
9			4PIN MOLEX CONNECTOR	1
10			1524mm (60IN) CABLE / NO AC GROUNDING	1
11	840556094494	COOLERGYUYS TRIPLE 120mm BRACKET-BLACK POWDER COATED METAL	COOLERGYUYS TRIPLE 120mm BRACKET-BLACK POWDER COATED METAL	1
12	840556087953	BLACK 120MM MESH GRILL WITH HONEYCOMB 6MM HOLES	BLACK 120MM MESH GRILL WITH HONEYCOMB 6MM HOLES	3
13	840556082705	120MM BLACK FAN FINGER GRILL	120MM BLACK FAN FINGER GRILL	3
14	840556100348	(1 - 4 PACKS) BOLTS(MACHINE SCREW) 40MM AND NUTS M4	40mm BOLT	3
15			M4 NUT	
16	840556092575	BLACK MOUNTING SCREWS FOR CABINET BRACKET: #6-13 X 5/8"	BLACK MOUNTING SCREWS FOR CABINET BRACKET: #6-13 X 5/8"	6



COOLERGYUYS

COOLERGYUYS TRIPLE 120MM FAN COOLING KIT WITH THERMAL CONTROLLER

SKU: 840556095859	A4
SCALE: NTS	SHEET 3 OF 4



ITEM NO.	SKU	TITLE	DESCRIPTION	QTY.
1	840556091929	COOLERGY GUYS 120X120X25MM 3 PIN FAN LOW SPEED FAN COOLERGY GUYS 120X120X25MM 3 PIN FAN LOW SPEED FAN CG12025L12B2-3Y	COOLERGY GUYS 120X120X25MM 3 PIN FAN LOW SPEED FAN CG12025L12B2-3Y	3
2			2510 MOLEX 3 PIN CONNECTOR	3
3			3 WIRE WITH TACHOMETER, LENGTH - 762mm (30IN)	3
4	840556098690	COOLERGY GUYS PRE-SET THERMAL CONTROLLER (REV4)	COOLERGY GUYS PRE-SET THERMAL CONTROLLER (REV4)	1
5			THERMAL PROBE PIN	1
6			WATERPROOF AND HIGH HEAT THERMOCOUPLE PROBE	1
7			32" WATERPROOF CABLE	1
8	840556087977	100-240V AC TO 12V DC POWER SUPPLY WITH 4-PIN MOLEX (1A,1000MA)	100-240V AC TO 12V DC POWER SUPPLY WITH 4-PIN MOLEX (1A,1000MA)	1
9			4PIN MOLEX CONNECTOR	1
10			1524mm (60IN) CABLE / NO AC GROUNDING	1
11	840556094494	COOLERGY GUYS TRIPLE 120mm BRACKET-BLACK POWDER COATED METAL	COOLERGY GUYS TRIPLE 120mm BRACKET-BLACK POWDER COATED METAL	1
12	840556087953	BLACK 120MM MESH GRILL WITH HONEYCOMB 6MM HOLES	BLACK 120MM MESH GRILL WITH HONEYCOMB 6MM HOLES	3
13	840556082705	120MM BLACK FAN FINGER GRILL	120MM BLACK FAN FINGER GRILL	3
14	840556100348	(1 - 4 PACKS) BOLTS(MACHINE SCREW) 40MM AND NUTS M4	40mm BOLT	3
15			M4 NUT	
16	840556092575	BLACK MOUNTING SCREWS FOR CABINET BRACKET: #6-13 X 5/8"	BLACK MOUNTING SCREWS FOR CABINET BRACKET: #6-13 X 5/8"	6

COOLERGY GUYS

COOLERGY GUYS TRIPLE 120MM FAN COOLING KIT WITH THERMAL CONTROLLER

SKU: 840556095859	A4
SCALE: NTS	SHEET 4 OF 4