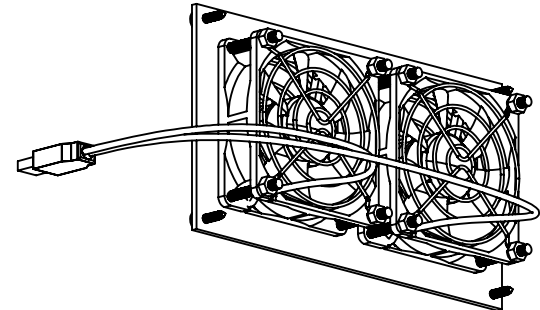
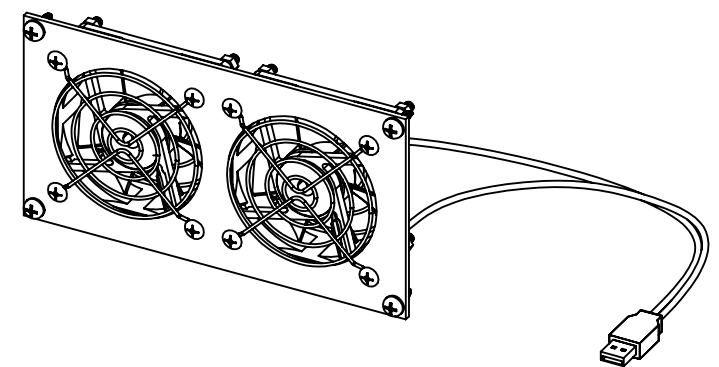


ITEM NO.	SKU	TITLE	DESCRIPTION	QTY.
1	840556090557	COOLERGUY'S DUAL 80X80X25MM USB FANS WITH GRILLS CG8025L05B2-U	80X80X25MM LOW SPEED FANS	2
2			80mm BLACK FAN FINGER GRILL	2
3			2 WIRE, LENGTH - 406MM (16IN) FROM CONNECTOR TO EACH FAN	1
4			USB TYPE A CONNECTOR	1
5	840556083191	COOLERGUY'S DUAL 80mm FAN BRACKET - 3mm BLACK ABS WITH 2*80mm HOLES	3mm THICK BLACK ABS FAN BRACKET WITH 2 80mm HOLES FOR 80mm FANS	1
6	840556082897	80mm BLACK FAN FINGER GRILL	BLACK FAN FINGER GRILL FOR 80mm FANS	2
7	840556100348	(1 - 4 PACKS) BOLTS(MACHINE SCREW) 40MM AND NUTS M4	40MM BOLTS(MACHINE SCREW)	2
8			M4 NUT	
9	840556092575	BLACK WOOD SCREWS M3.5*12mm	MOUNTING SCREWS FOR BRACKET	4

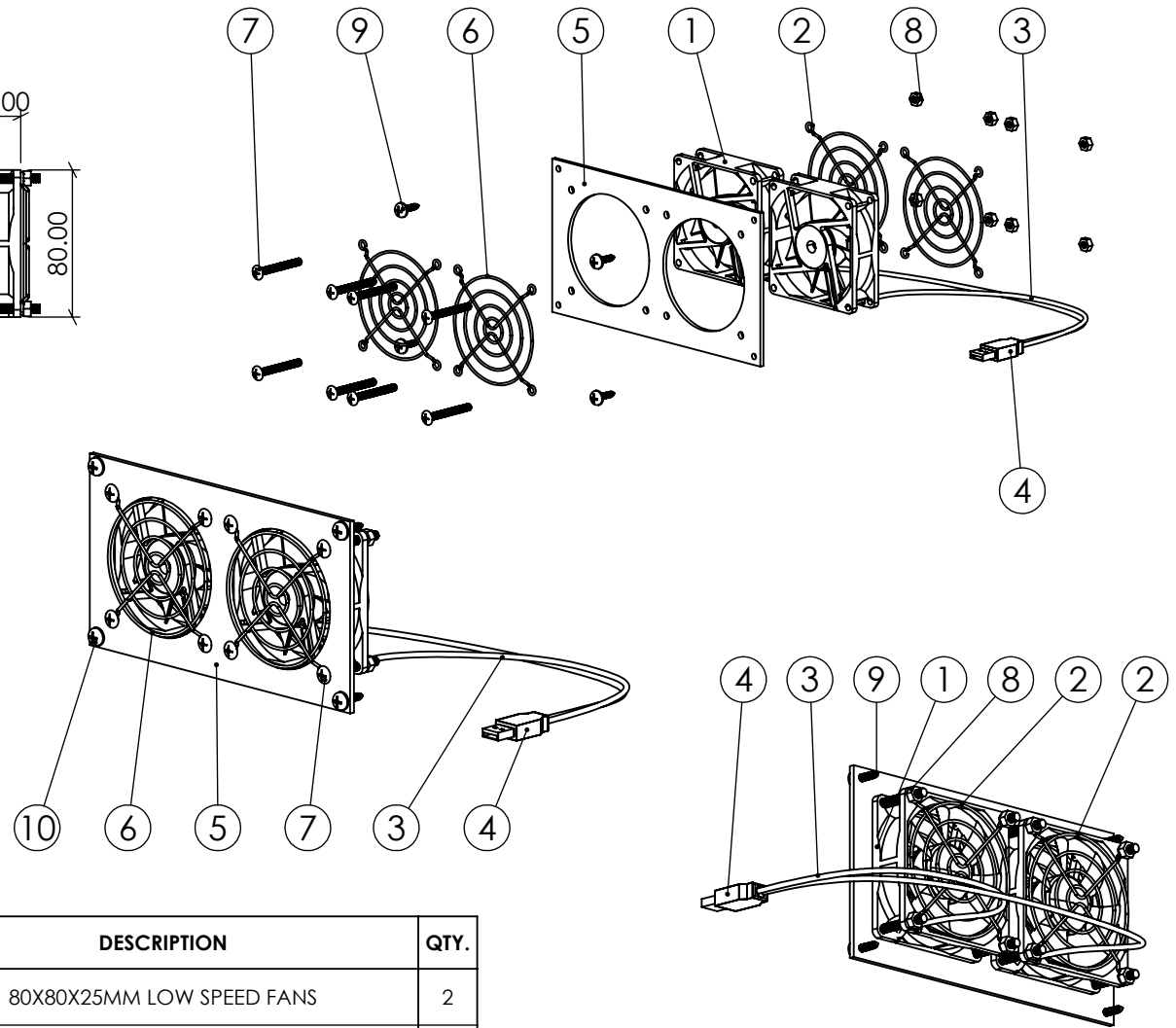
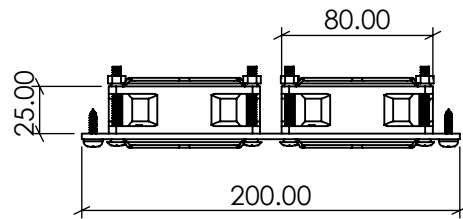
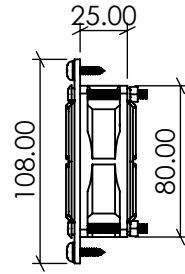
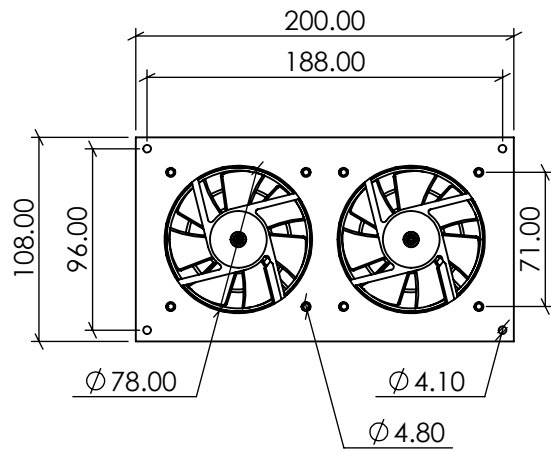
**CG8025L05B2-U 840556090588
DUAL FAN SPECIFICATIONS**

DIMENSIONS:	80X80X25MM
BEARING SYSTEM:	DUAL BALL BEARING
WIRE OPTION:	2 WIRE, LENGTH - 406mm (16IN) FROM CONNECTOR TO EACH FAN
CONNECTOR OPTION:	USB TYPE-A
RATED VOLTAGE:	5 VDC
OPERATING VOLTAGE:	3.5 VDC - 5.5 VDC
RATED OPERATING CURRENT:	0.17A
RATED SPEED:	1500 ±10% RPM (EACH)
AIR FLOW:	20 CFM (EACH)/40 CFM (COMBINED)
STATIC AIR PRESSURE:	1.36 MMH ₂ O (EACH)
NOISE LEVEL:	19.7 DBA (COMBINED)
MOTOR PROTECTION TYPE:	BY IMPEDANCE WITH POLARITY PROTECTION
ENVIRONMENTAL PROTECTION:	NONE
LIFE EXPECTANCE:	67,000 HOURS AT 25°C
OPERATION TEMPERATURE:	-10° C TO +65°C
NET WEIGHT:	164G (COMBINED)
OPTIONS:	OPEN CORNERS



CABCOOL 802U DUAL 80mm USB
POWERED CABINET COOLING KIT

SKU: 840556090588	A4
SCALE: NTS	SHEET 1 OF 2



ITEM NO.	SKU	TITLE	DESCRIPTION	QTY.
1	840556090557	COOLERGUY'S DUAL 80X80X25MM USB FANS WITH GRILLS CG8025L05B2-U	80X80X25MM LOW SPEED FANS	2
2			80mm BLACK FAN FINGER GRILL	2
3			2 WIRE, LENGTH - 406MM (16IN) FROM CONNECTOR TO EACH FAN	1
4			USB TYPE A CONNECTOR	1
5	840556083191	COOLERGUY'S DUAL 80mm FAN BRACKET - 3mm BLACK ABS WITH 2*80mm HOLES	3mm THICK BLACK ABS FAN BRACKET WITH 2 80mm HOLES FOR 80mm FANS	1
6	840556082897	80mm BLACK FAN FINGER GRILL	BLACK FAN FINGER GRILL FOR 80mm FANS	2
7	840556100348	(1 - 4 PACKS) BOLTS(MACHINE SCREW) 40MM AND NUTS M4	40MM BOLTS(MACHINE SCREW)	2
8			M4 NUT	
9	840556092575	BLACK WOOD SCREWS M3.5*12mm	MOUNTING SCREWS FOR BRACKET	4

COOLERGUY'S

CABCOOL 802U DUAL 80mm USB POWERED CABINET COOLING KIT

SKU: 840556090588	A4
SCALE: NTS	SHEET 2 OF 2