

NOTICE - PROPRIETARY INFORMATION  
 THE DESIGN AND RELATED INFORMATION CONTAINED HEREIN IS THE SOLE PROPERTY OF XXX INC. THE DISCLOSURE OF THIS INFORMATION DOES NOT CONSTITUTE THE RELEASE OF ANY PROPRIETARY RIGHTS THEREIN. PERMISSION TO REPRODUCE THIS INFORMATION OR THE PRODUCTS DISCLOSED HEREIN MUST BE OBTAINED IN WRITING FROM XXX INC.

REVISION HISTORY					
REV	DESCRIPTION	DRWN	CHK'D	APP'VD	DATE
A2	change the 3P housing at output side to be 4P housing.	-	Bob	-	2023/8/4
A3	change UL1007 22AWG to be UL2464 24AWG.		Bob		2023/8/18

**NOTES:**

**1.] MATERIAL:**

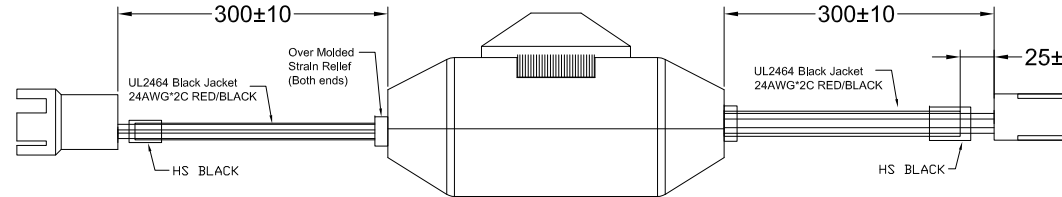
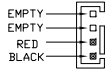
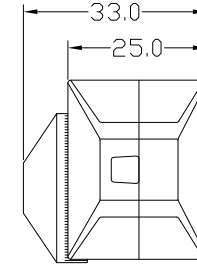
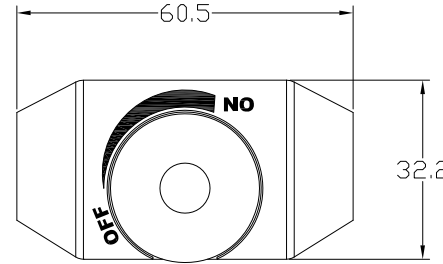
WIRES: UL2464,Black Jacket,PVC,300V 80°C, 24AWG\*2C (RED/BLACK).  
 CONTROLLER BOX: PLASTIC,ABS

**2.] FINISH: N/A**

**3. Electronical Function:**

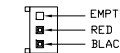
Input: 6~20V DC  
 Output: 0V(OFF), 5.8V~19.8V when loaded,  
 0 Load = 10(+V) but quickly turn into 12.32 if no discharge to the capacitor.  
 0.1A—9.5V (on)  
 0.5A—6.3V (on)  
 1A—5V (on)

There is 0.2V voltage drop off from the input.  
 For exsample, Input 12V,Output 11.8V(Max).  
 Rated Current: 1.5A(Total)  
 Working Temperature: -20°C~45°C  
 Package: loose packed in carton box(Pending for now).

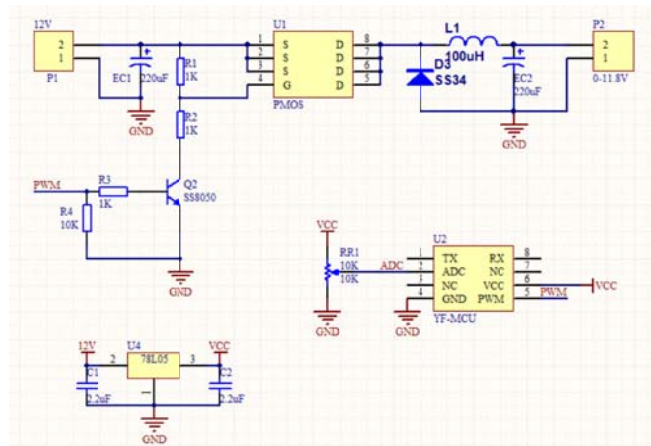


OUTPUT

INPUT



Black Male Housing  
 Female Contact  
 2510 3P



Schematic Circuit Diagram



RoHS2  
 COMPLIANT  
 2011/65/EU

# COOLG

**COOLG 3PIN TO SINGLE 3+1  
 CONNECTOR FAN CONTROLLER REV2  
 WITH ON/OFF SWITCH**

SKU: 840556076421	A3
SCALE: 1:1	SHEET 1 OF 1