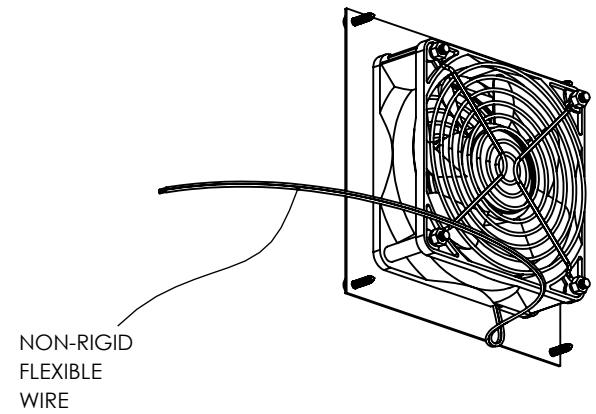
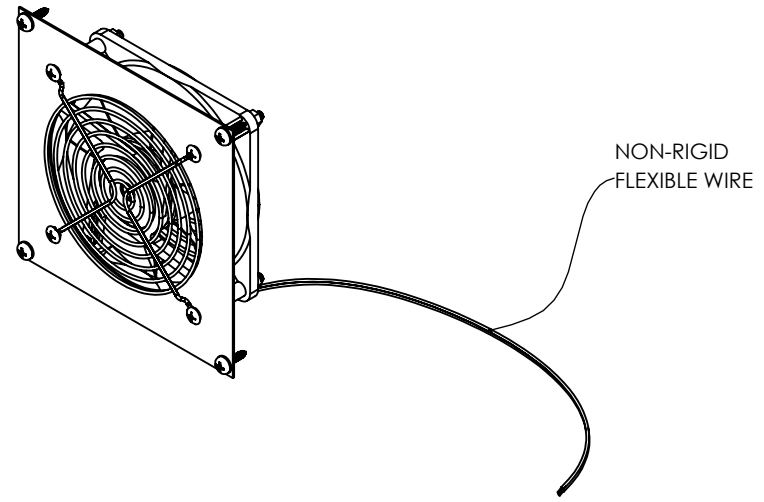
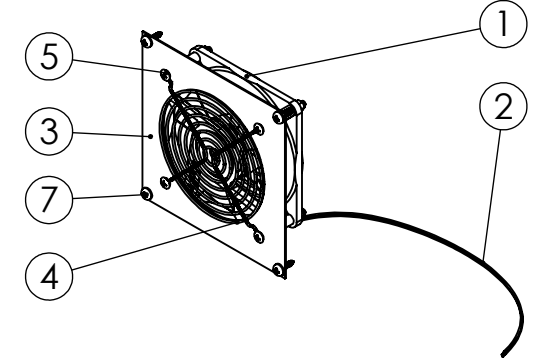
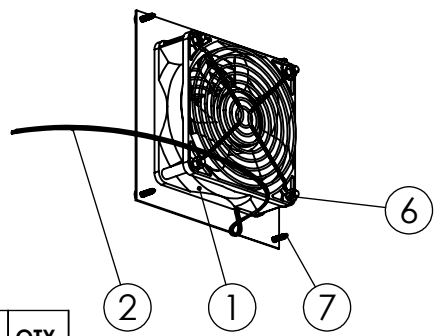
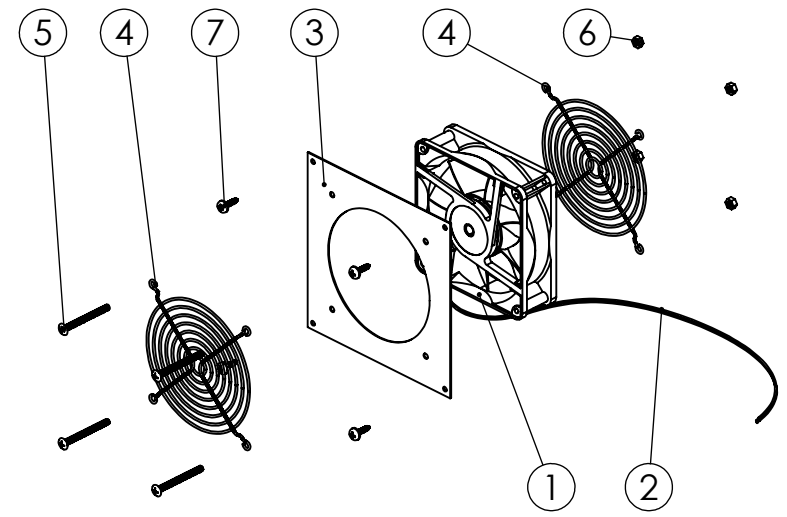
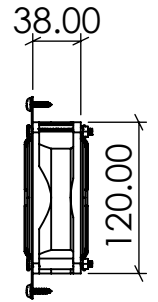
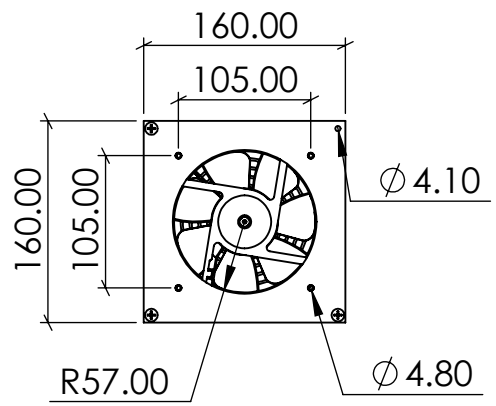
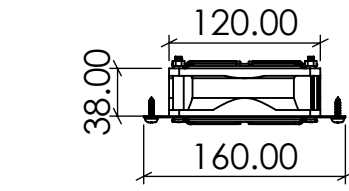


ITEM NO.	SKU	TITLE	DESCRIPTION	QTY.
1	840556074304	COOLERGUY'S 120X38MM (120X120X38) HIGH AIRFLOW IP67 EC FAN (110VAC INPUT)	COOLERGUY'S AC FAN HIGH AIRFLOW 110 VAC	1
2			300mm 2 WIRE LEADS STRIPPED AT END	
3	840556094470	COOLERGUY'S SINGLE 120mm FAN BRACKET-BLACK POWDER COATED METAL	120mm BLACK METAL BRACKET FOR FAN MOUNTING	1
4	840556082705	120MM BLACK FAN FINGER GRILL	120MM BLACK FAN FINGER GRILL	2
5	840556100355	(1 - 4 PACKS) BOLTS (MACHINE SCREW) 50mm AND M4 NUTS	50mm BOLTS (MACHINE SCREW)	2
6			M4 NUT	
7	840556092575	BLACK WOOD SCREWS M3.5 *12mm	MOUNTING SCREWS FOR BRACKET	4

CG12038HT15B2-IP67-EC 840556074304 FAN SPECIFICATIONS	
DIMENSIONS:	120X120X38MM
BEARING SYSTEM:	DUAL BALL BEARING
WIRE OPTION:	2 WIRE; LENGTH - 300mm (12IN)
CONNECTOR OPTION:	BARE WIRE LEADS STRIPPED AT END
RATED VOLTAGE:	115 VAC
OPERATING VOLTAGE:	100 VAC - 120 VAC
RATED OPERATING CURRENT:	0.75 AMP RUNNING
RATED SPEED:	3800 ±10% RPM
AIR FLOW:	161 CFM
STATIC AIR PRESSURE:	15.87 MMH2O
NOISE LEVEL:	47 DBA
MOTOR PROTECTION TYPE:	BY IMPEDANCE WITH POLARITY PROTECTION
ENVIRONMENTAL PROTECTION:	IP67
LIFE EXPECTANCE:	67,000 HOURS AT 25°C
OPERATION TEMPERATURE:	-10α TO +70α
NET WEIGHT:	289G
OPTIONS:	CLOSED CORNERS



<b>COOLERGUY'S</b>	
SINGLE BRACKET IN-LINE 120MM HIGH AIRFLOW EC FAN	
SKU: 840556075592	A4
SCALE: NTS	SHEET 1 OF 2



ITEM NO.	SKU	TITLE	DESCRIPTION	QTY.
1	840556074304	COOLERGUY'S 120X38MM (120X120X38) HIGH AIRFLOW IP67 EC FAN (110VAC INPUT)	COOLERGUY'S AC FAN HIGH AIRFLOW 110 VAC	1
2			300mm 2 WIRE LEADS STRIPPED AT END	1
3	840556094470	COOLERGUY'S SINGLE 120mm FAN BRACKET-BLACK POWDER COATED METAL	120mm BLACK METAL BRACKET FOR FAN MOUNTING	1
4	840556082705	120MM BLACK FAN FINGER GRILL	120MM BLACK FAN FINGER GRILL	2
5	840556100355	(1 - 4 PACKS) BOLTS (MACHINE SCREW) 50mm AND M4 NUTS	50mm BOLTS (MACHINE SCREW)	2
6			M4 NUT	
7	840556092575	BLACK WOOD SCREWS M3.5 *12mm	MOUNTING SCREWS FOR BRACKET	1

**COOLERGUY'S**

SINGLE BRACKET IN-LINE 120MM HIGH AIRFLOW EC FAN

SKU: 840556075592      A4

SCALE: NTS      SHEET 2 OF 2