

6

5

4

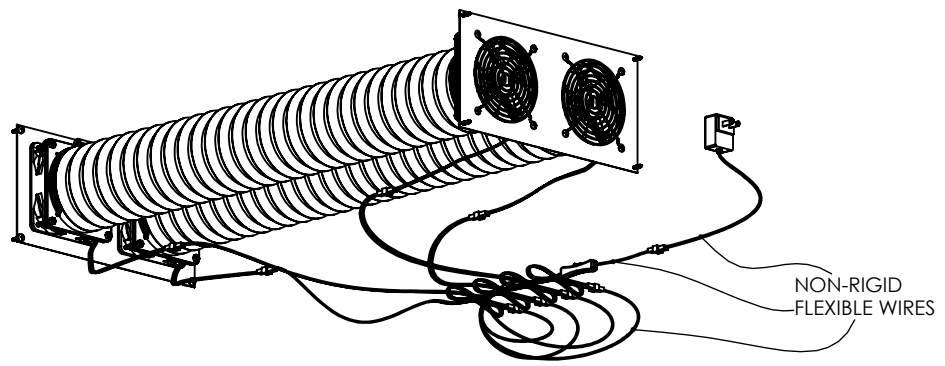
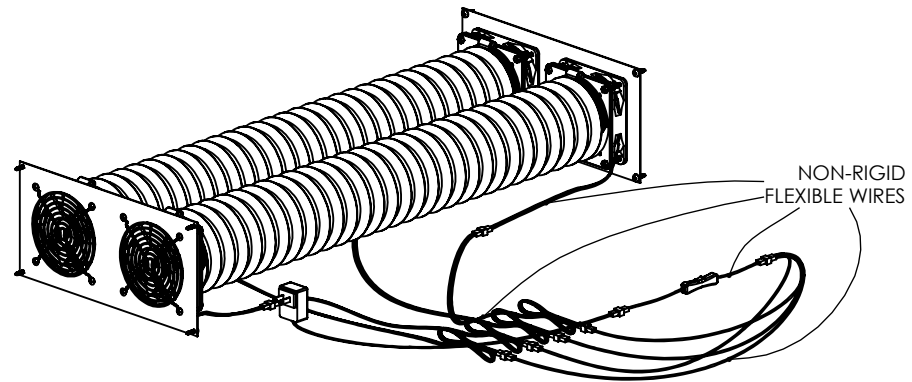
3

2

1

ITEM NO.	SKU	TITLE	DESCRIPTION	QTY.
1			120X120X25MM 3 PIN CONNECTOR LOW SPEED FAN	
2	840556091929	COOLERGUY'S 120X120X25MM 3 PIN FAN CG12025L12B2-3Y	3-PIN 2510 MOLEX (FEMALE HOUSING/MALE PIN) CONNECTOR	4
3			3 WIRE WITH TACHOMETER, LENGTH - 762MM(30IN)	
4	840556094487	COOLERGUY'S DUAL 120mm FAN BRACKET- BLACK POWDER COATED METAL	DUAL METAL BRACKET BRACKET FOR 120mm FANS	2
5	840556082705	120MM BLACK FAN FINGER GRILL	GUARD GRILLS FOR 120mm FANS	4
6	840556072294	COOLERGUY'S FAN POWER SUPPLY 100-240V AC TO 12V DC 1A OUTPUT 3PIN OR 4PIN PWM CONNECTOR	COOLERGUY'S FAN POWER SUPPLY 100-240V AC TO 12V DC 1A OUTPUT	1
7			STANDARD 3PIN OR 4PIN CONNECTOR	
8			1.5M(60IN) LEAD CABLE	
9	840556074120	DOUBLE SIDE PVC 4" FLEX DUCT BLACK LONG D4"X60", 1500mm	DOUBLE SIDE PVC 4" FLEX DUCT BLACK LONG D4"X60", 1500mm	2
10	840556073871	120/92mm FAN END CAP SHROUD TO 4"	END CAP FOR 120mm AND 92mm FAN SHROUD TO 4"	4
11	840556073925	91-114MMØ STAINLESS STEEL AIR CLAMP ADS-304 FOR D4"	91-114MMØ STAINLESS STEEL AIR CLAMP ADJUSTABLE TO 91-114MMØ	4
12	840556097976	COOLERGUY'S ANTI-VIBRATION RUBBER FAN GASKET	COOLERGUY'S 120mm GASKET PREVENTS NOISE AND MOVEMENTS OF EQUIPMENTS	8
13	840556100348	(1 - 4 PACKS) BOLTS(MACHINE SCREW) 40MM AND NUTS M4	BOLTS(MACHINE SCREW) 40MM	4
14			M4 NUT	
15			STANDARD 3PIN FAN CONNECTOR	
16	840556101895	3 PIN FAN CABLE EXTENSION 72IN RIBBON	3-PIN 2510 MOLEX (FEMALE HOUSING/MALE PIN) CONNECTOR	4
17			CABLE EXTENSION 72IN RIBBON	
18			STANDARD 3-PIN CONNECTOR	4
19	840556001416	COOLERGUY'S 3 PIN FAN (1 TO 4) SPLITTER	3-PIN 2510 MOLEX (FEMALE HOUSING/MALE PIN) CONNECTOR	1
20			12 INCHES CABLE	1
21			ON/OFF SWITCH	
22			STANDARD 3PIN OR 4PIN FAN CONNECTOR	
23	840556072409	COOLERGUY'S 3PIN ON/OFF SWITCH (FOR 3PIN OR PWM FANS)	13 INCHES CABLE	1
24			3-PIN 2510 MOLEX (FEMALE HOUSING/MALE PIN) CONNECTOR	
25	840556092575	BLACK WOOD SCREWS M3.5 *12mm	MOUNTING SCREWS FOR BRACKET	8

CG12025L12B2-3Y 840556091929 4 FAN SPECIFICATIONS	
DIMENSIONS:	120X120X25MM
BEARING SYSTEM:	DUAL BALL BEARING
WIRE OPTION:	3 WIRE WITH TACHOMETER, LENGTH - 762MM (30IN)
CONNECTOR OPTION:	3PIN 2510 MOLEX (FEMALE HOUSING/MALE PIN)
RATED VOLTAGE:	12 VDC
OPERATING VOLTAGE:	4.9 VDC - 13.8 VDC
RATED OPERATING CURRENT:	0.06 AMP RUNNING
RATED SPEED:	1200 ±10% RPM
AIR FLOW:	180 CFM (COMBINED)
STATIC AIR PRESSURE:	1.16 MMH2O
NOISE LEVEL:	26.4 DBA (COMBINED)
MOTOR PROTECTION TYPE:	BY IMPEDANCE WITH POLARITY PROTECTION
ENVIRONMENTAL PROTECTION:	NONE
LIFE EXPECTANCE:	67,000 HOURS AT 25°C
OPERATION TEMPERATURE:	-10α TO +65α
NET WEIGHT:	548G (COMBINED)
OPTIONS:	OPEN CORNERS



11 INCH FAN MOUNTING AND DUCTING KIT

SKU: 840556075516	A4
SCALE: NTS	SHEET 1 OF 4

6

5

4

3

2

1

D

D

C

C

B

B

A

A

6

5

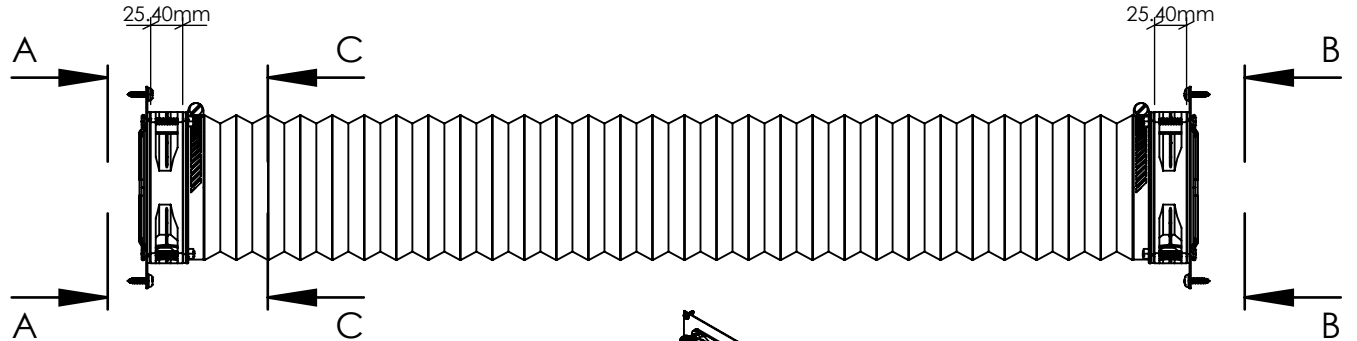
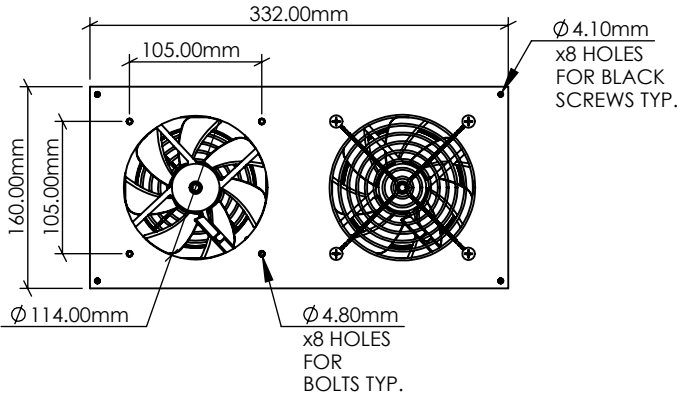
4

3

2

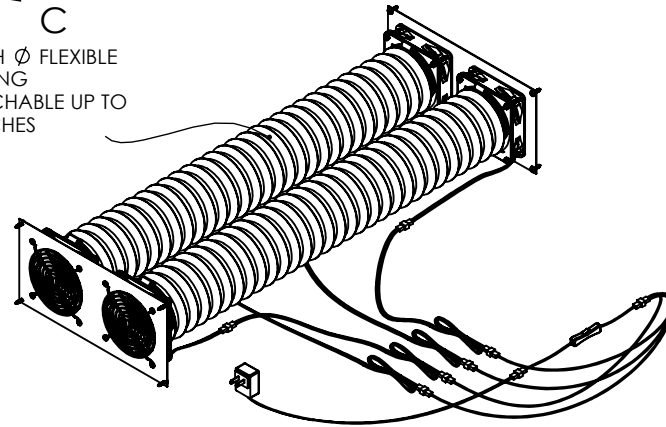
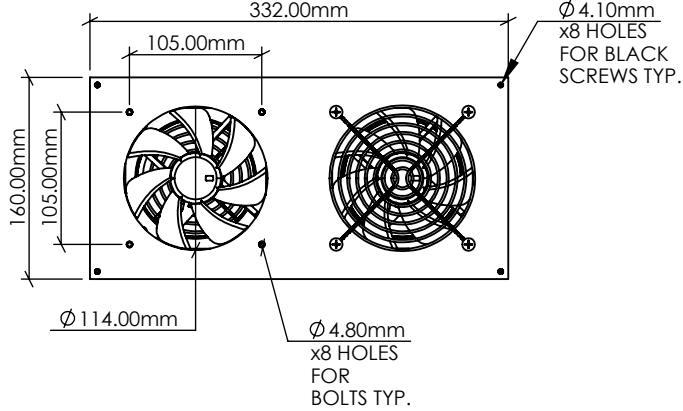
1

FRONT VIEW A-A



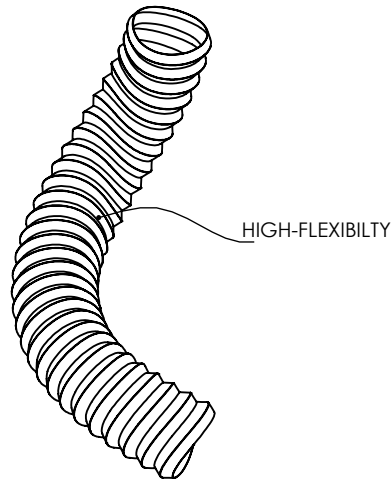
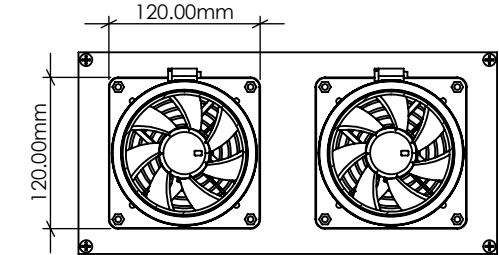
4-INCH Ø FLEXIBLE DUCTING STRETCHABLE UP TO 72 INCHES

REAR VIEW B-B



4-INCH Ø FLEXIBLE DUCTING COMPRESSIBLE UP TO 20 INCHES

SECTION C-C



COOLERGUYS

11 INCH FAN MOUNTING AND DUCTING KIT

SKU: 840556075516

A4

SCALE: NTS

SHEET 2 OF 4

6

5

4

3

2

1

D

D

C

C

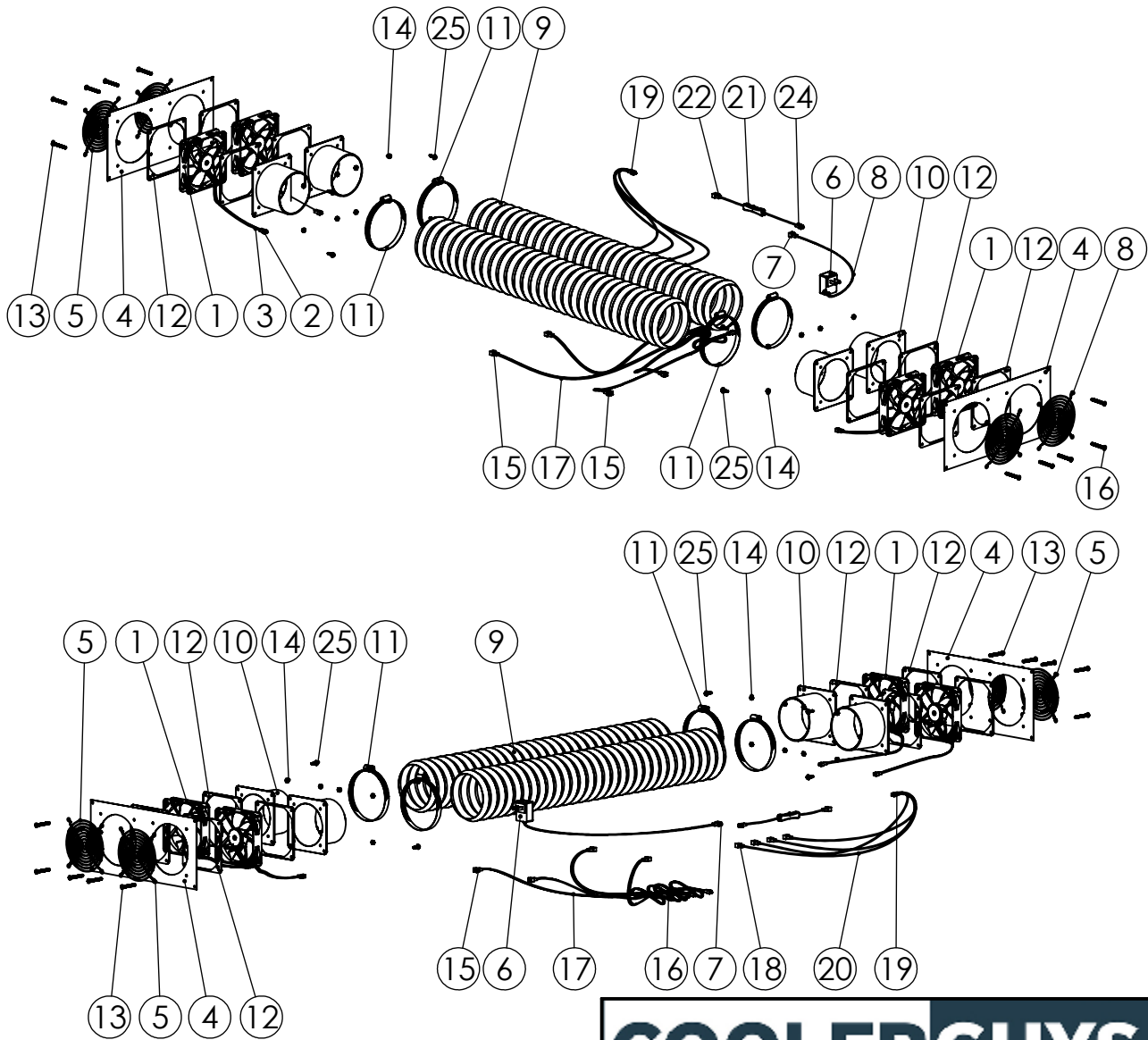
B

B

A

A

F	SKU	TITLE	DESCRIPTION	QTY.
1	840556091929	COOLERGUY'S 120X120X25MM 3 PIN FAN CG12025L12B2-3Y	120X120X25MM 3 PIN CONNECTOR LOW SPEED FAN	4
2			3-PIN 2510 MOLEX (FEMALE HOUSING/MALE PIN) CONNECTOR	
3			3 WIRE WITH TACHOMETER, LENGTH - 762MM(30IN)	
4	840556094487	COOLERGUY'S DUAL 120mm FAN BRACKET- BLACK POWDER COATED METAL	DUAL METAL BRACKET BRACKET FOR 120mm FANS	2
5	840556082705	120MM BLACK FAN FINGER GRILL	GUARD GRILLS FOR 120mm FANS	4
6	840556072294	COOLERGUY'S FAN POWER SUPPLY 100-240V AC TO 12V DC 1A OUTPUT 3PIN OR 4PIN PWM CONNECTOR	COOLERGUY'S FAN POWER SUPPLY 100-240V AC TO 12V DC 1A OUTPUT	1
7			STANDARD 3PIN OR 4PIN CONNECTOR	
8			1.5M(60IN) LEAD CABLE	
9	840556074120	DOUBLE SIDE PVC 4" FLEX DUCT BLACK LONG D4"X60", 1500mm	DOUBLE SIDE PVC 4" FLEX DUCT BLACK LONG D4"X60", 1500mm	2
10	840556073871	120/92mm FAN END CAP SHROUD TO 4"	END CAP FOR 120mm AND 92mm FAN SHROUD TO 4"	4
11	840556073925	91-114MMØ STAINLESS STEEL AIR CLAMP ADS-304 FOR D4"	91-114MMØ STAINLESS STEEL AIR CLAMP ADJUSTABLE TO 91- 114MMØ	4
12	840556097976	COOLERGUY'S ANTI- VIBRATION RUBBER FAN GASKET	COOLERGUY'S 120mm GASKET PREVENTS NOISE AND MOVEMENTS OF EQUIPMENTS	8
13	840556100348	(1 - 4 PACKS) BOLTS(MACHINE SCREW) 40MM AND NUTS M4	BOLTS(MACHINE SCREW) 40MM	4
14			M4 NUT	
15	840556101895	3 PIN FAN CABLE EXTENSION 72IN RIBBON	STANDARD 3PIN FAN CONNECTOR	4
16			3-PIN 2510 MOLEX (FEMALE HOUSING/MALE PIN) CONNECTOR	
17			CABLE EXTENSION 72IN RIBBON	
18	840556001416	COOLERGUY'S 3 PIN FAN (1 TO 4) SPLITTER	STANDARD 3-PIN CONNECTOR	4
19			3-PIN 2510 MOLEX (FEMALE HOUSING/MALE PIN) CONNECTOR	
20			12 INCHES CABLE	
21	840556072409	COOLERGUY'S 3PIN ON/OFF SWITCH (FOR 3PIN OR PWM FANS)	ON/OFF SWITCH	1
22			STANDARD 3PIN OR 4PIN FAN CONNECTOR	
23			13 INCHES CABLE	
24			3-PIN 2510 MOLEX (FEMALE HOUSING/MALE PIN) CONNECTOR	
25	840556092575	BLACK WOOD SCREWS M3.5 *12mm	MOUNTING SCREWS FOR BRACKET	8

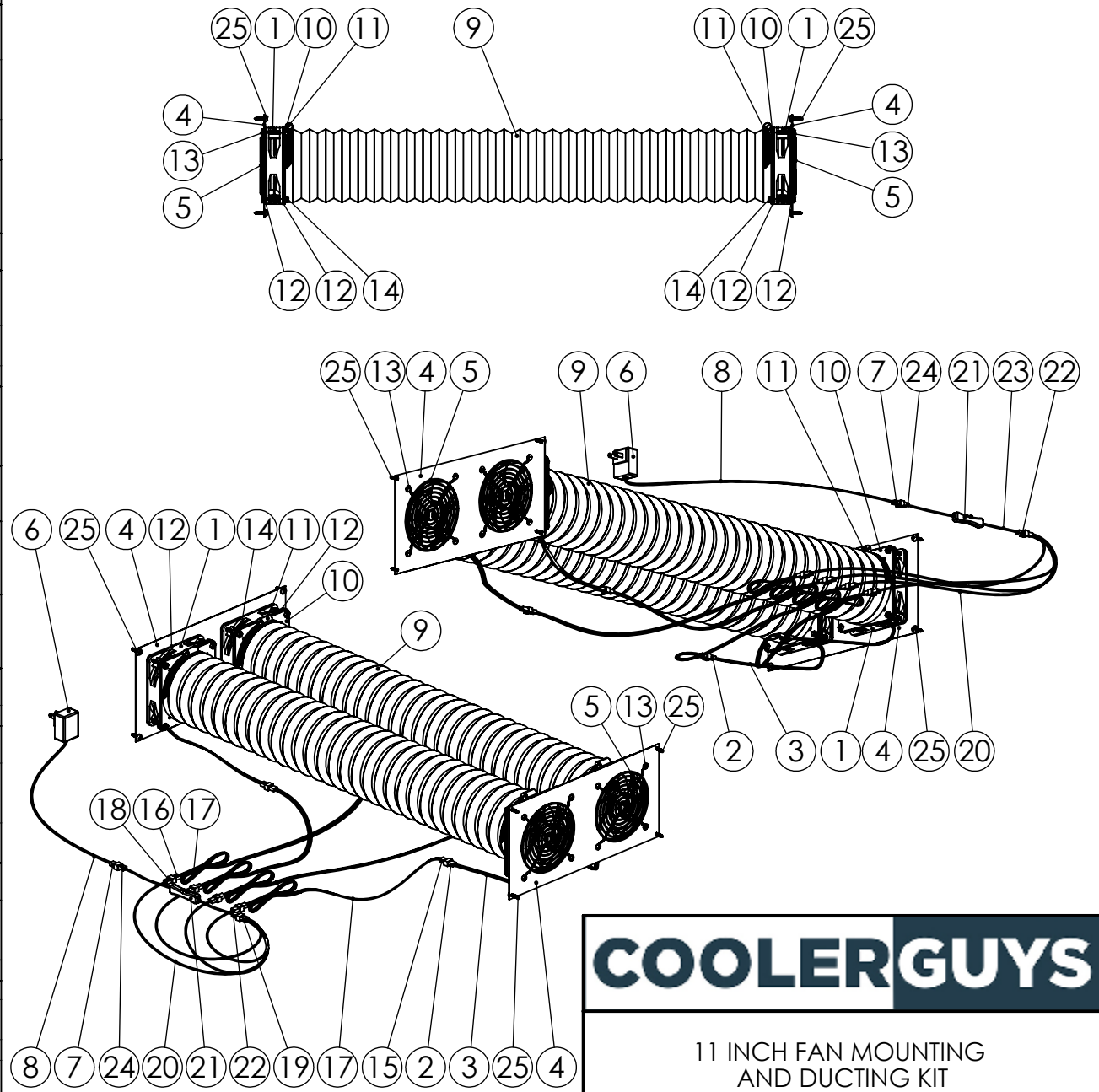


COOLERGUY'S

11 INCH FAN MOUNTING
AND DUCTING KIT

SKU: 840556075516 A4
SCALE: NTS SHEET 3 OF 4

ITEM NO.	SKU	TITLE	DESCRIPTION	QTY.
1	840556091929	COOLERGUY'S 120X120X25MM 3 PIN FAN CG12025L12B2-3Y	120X120X25MM 3 PIN CONNECTOR LOW SPEED FAN	4
2			3-PIN 2510 MOLEX (FEMALE HOUSING/MALE PIN) CONNECTOR	
3			3 WIRE WITH TACHOMETER, LENGTH - 762MM(30IN)	
4	840556094487	COOLERGUY'S DUAL 120mm FAN BRACKET-BLACK POWDER COATED METAL	DUAL METAL BRACKET BRACKET FOR 120mm FANS	2
5	840556082705	120MM BLACK FAN FINGER GRILL	GUARD GRILLS FOR 120mm FANS	4
6	840556072294	COOLERGUY'S FAN POWER SUPPLY 100-240V AC TO 12V DC 1A OUTPUT 3PIN OR 4PIN PWM CONNECTOR	COOLERGUY'S FAN POWER SUPPLY 100-240V AC TO 12V DC 1A OUTPUT	1
7			STANDARD 3PIN OR 4PIN CONNECTOR	
8			1.5M(60IN) LEAD CABLE	
9	840556074120	DOUBLE SIDE PVC 4" FLEX DUCT BLACK LONG D4"X60", 1500mm	DOUBLE SIDE PVC 4" FLEX DUCT BLACK LONG D4"X60", 1500mm	2
10	840556073871	120/92mm FAN END CAP SHROUD TO 4"	END CAP FOR 120mm AND 92mm FAN SHROUD TO 4"	4
11	840556073925	91-114MMØ STAINLESS STEEL AIR CLAMP ADS-304 FOR D4"	91-114MMØ STAINLESS STEEL AIR CLAMP ADJUSTABLE TO 91-114MMØ	4
12	840556097976	COOLERGUY'S ANTI-VIBRATION RUBBER FAN GASKET	COOLERGUY'S 120mm GASKET PREVENTS NOISE AND MOVEMENTS OF EQUIPMENTS	8
13	840556100348	(1 - 4 PACKS) BOLTS(MACHINE SCREW) 40MM AND NUTS M4	BOLTS(MACHINE SCREW) 40MM	4
14			M4 NUT	
15	840556101895	3 PIN FAN CABLE EXTENSION 72IN RIBBON	STANDARD 3PIN FAN CONNECTOR	4
16			3-PIN 2510 MOLEX (FEMALE HOUSING/MALE PIN) CONNECTOR	
17			CABLE EXTENSION 72IN RIBBON	
18	840556001416	COOLERGUY'S 3 PIN FAN (1 TO 4) SPLITTER	STANDARD 3-PIN CONNECTOR	4
19			3-PIN 2510 MOLEX (FEMALE HOUSING/MALE PIN) CONNECTOR	
20	840556072409	COOLERGUY'S 3PIN ON/OFF SWITCH (FOR 3PIN OR PWM FANS)	12 INCHES CABLE	1
21			ON/OFF SWITCH	
22			STANDARD 3PIN OR 4PIN FAN CONNECTOR	
23	840556072409	COOLERGUY'S 3PIN ON/OFF SWITCH (FOR 3PIN OR PWM FANS)	13 INCHES CABLE	1
24			3-PIN 2510 MOLEX (FEMALE HOUSING/MALE PIN) CONNECTOR	
25	840556092575	BLACK WOOD SCREWS M3.5 *12mm	MOUNTING SCREWS FOR BRACKET	8



COOLERGUY'S

11 INCH FAN MOUNTING AND DUCTING KIT

SKU: 840556075516	A4
SCALE: NTS	SHEET 4 OF 4