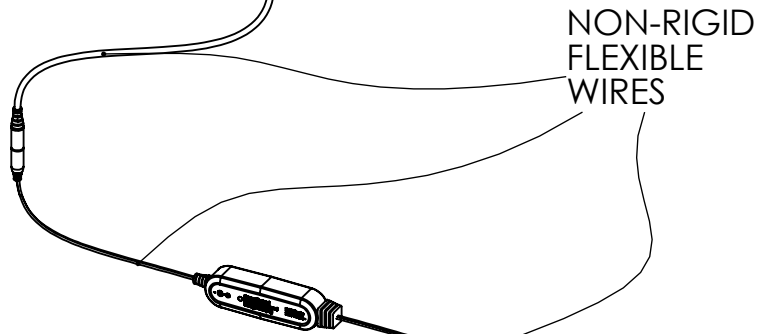
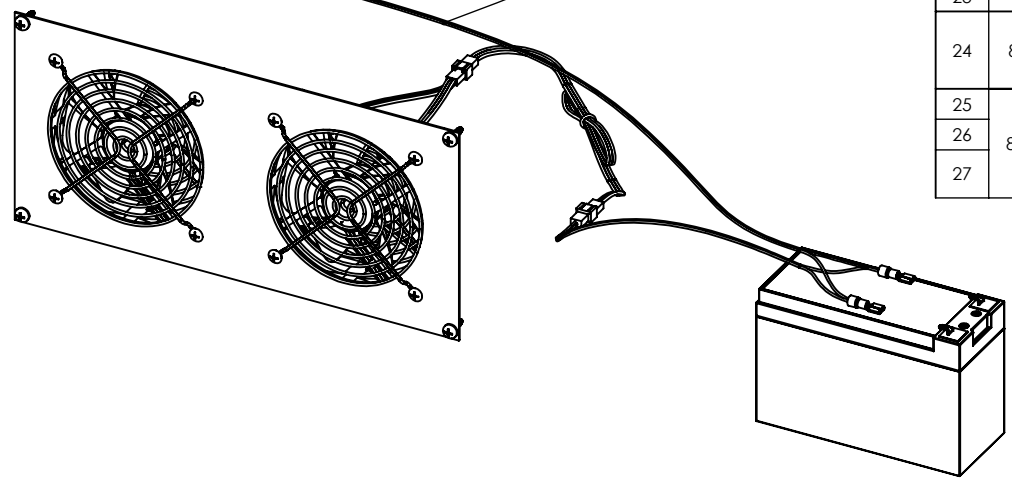


FACE THE SOLAR PANELS DIRECTLY TO SUNLIGHT



NON-RIGID FLEXIBLE WIRES



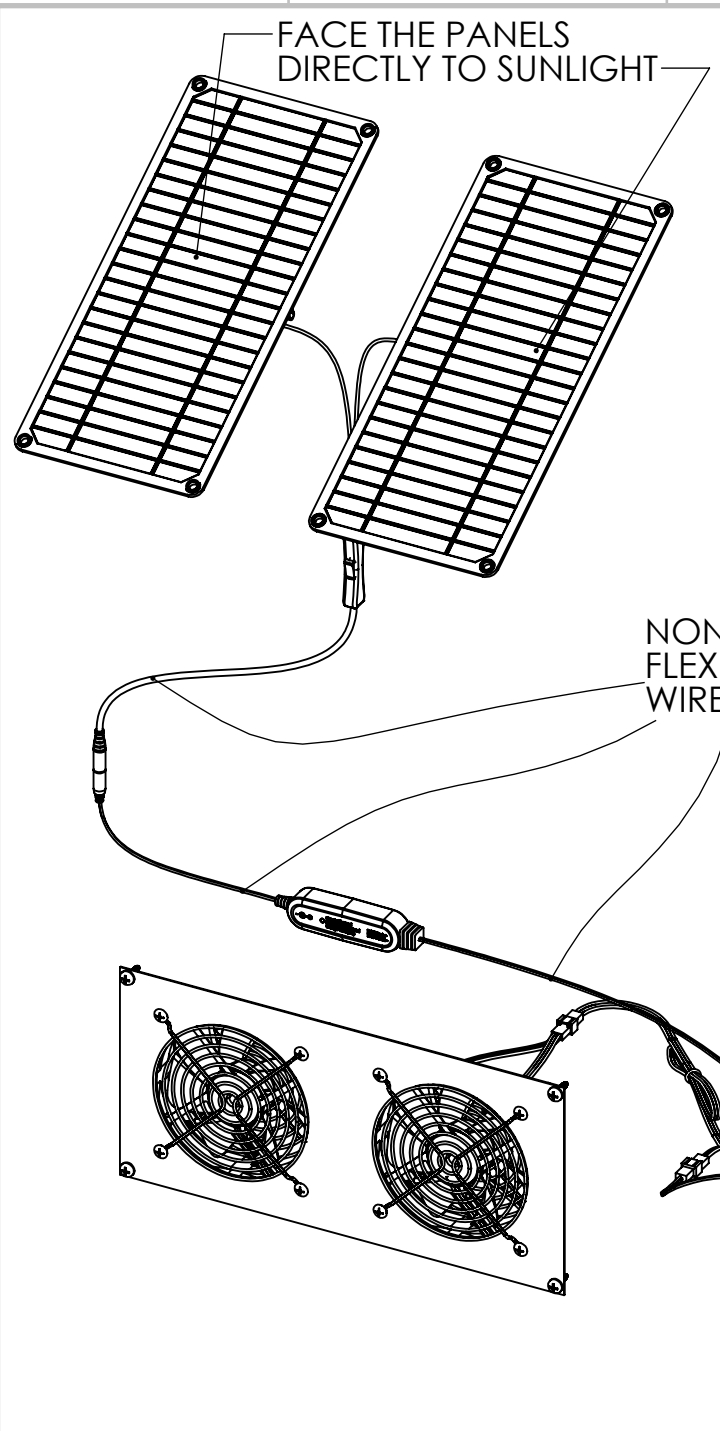
ITEM NO.	SKU	TITLE	DESCRIPTION	QTY.
1			COOLERGYUYS 120mm (120X120X25) 3000 RPM IP67 FAN CG12025H12-IP67	2
2	840556070276	COOLERGYUYS 120MM (120X120X25) 3000 RPM IP67 12V FAN CG12025H12-IP67	3-PIN 2510 MOLEX (FEMALE HOUSING/MALE PIN)	2
3			3 WIRE WITH TACHOMETER, LENGTH - 762MM(30IN)	2
4	840556082613	DUAL 120MM CABINET BRACKET - ACRYLIC	DUAL 120MM CABINET BRACKET - ACRYLIC	1
5	840556082705	120MM BLACK FAN FINGER GRILL	120MM BLACK FAN FINGER GRILL	4
6	840556100348	BOLT (MACHINE SCREW) AND NUT SETS M4 (40MM)	(1-4 PACKS) BOLTS (MACHINE SCREW) 40MM AND NUTS M4 (4 PACKS)	2
7				
8	840556092575	BLACK MOUNTING SCREWS FOR CABINET BRACKET: #6-13 X 5/8"	BLACK MOUNTING SCREWS FOR CABINET BRACKET: #6-13 X 5/8"	4
9			COOLERGYUYS 13W DUAL 300X140MM MONOCRYSTALLINE SOLAR PANELS	1
10			304 ON/OFF SWITCH	1
11	840556074236	COOLERGYUYS 13W DUAL 300X140MM MONOCRYSTALLINE SOLAR PANELS, WITH DUAL 150cm SWITCH WIRE AND 12V OUTPUT WITH BARREL 2.1 X 5.5mm CONNECTOR	22AWG PARALLEL DC5521 MALE CABLE 150CM	1
12			WIRE SWITCH	1
13			5.5 X 2.1MM MALE BARREL CONNECTOR	1
14			SOLAR BATTERY OVERCHARGE PROTECTOR FOR FAN COOLING KITS	1
15			5.5 X 2.1MM FEMALE BARREL CONNECTOR	1
16	840556074496	SOLAR BATTERY OVERCHARGE PROTECTOR FOR FAN COOLING KITS	UL2468, 18AWGX2C, RED/BLACK 285±10MM	1
17			AWM 2468 18AWG 310±15MM	1
18			AWM 2468 AWG 750±20MM	1
19			STANDARD 3 PIN FAN CONNECTOR	1
20			FEMALE FULLY INSULATED SPADE TERMINAL BLUE 250#	2
21			3-PIN 2510 MOLEX (FEMALE HOUSING/MALE PIN)	1
22	840556104162	3 PIN Y SPLITTER ALL BLACK RIBBON	STANDARD 3 PIN FAN CONNECTOR	2
23			LENGTH: 6IN, COLOR: BLACK, STYLE: RIBBON	2
24	840556075042	12V 7AH RECHARGEABLE LEAD ACID BATTERY WITH SPADE OUTPUT CONNECTORS	RECHARGEABLE LEAD ACID BATTERY	1
25			3 PIN FAN CABLE EXTENSION 72IN RIBBON	1
26	840556101895	3 PIN FAN CABLE EXTENSION 72IN RIBBON	STANDARD 3 PIN FAN CONNECTOR	1
27			3-PIN 2510 MOLEX (FEMALE HOUSING/MALE PIN)	1

**COOLERGYUYS**

SOLAR POWERED DUAL 120MM (CG12025H12-IP67) WATERPROOF FAN KIT WITH OVERCHARGE PROTECTOR KIT SPEC SHEET

SKU: 840556074908 A4

SCALE: NTS SHEET 1 OF 5



RECHARGEABLE LEAD ACID BATTERY SPECIFICATIONS	
VOLTAGE AMPERES/HOUR:	12 VDC 7AH/20HR
MATERIAL:	NON-SPILLABLE SEALED LEAD ACID BATTERY
CONSTANT VOLTAGE CHARGE:	25C
CONNECTORS:	SPADE OUTPUT CONNECTORS
STANDBY USE:	VOLTAGE REGULATION 13.70-13.90V - INITIAL CURRENT LESS THAN 2.10A
CYCLE USE:	VOLTAGE REGULATION 14.60-14.80V - INITIAL CURRENT LESS THAN 2.10A
SIZE:	6X4X 2.5IN

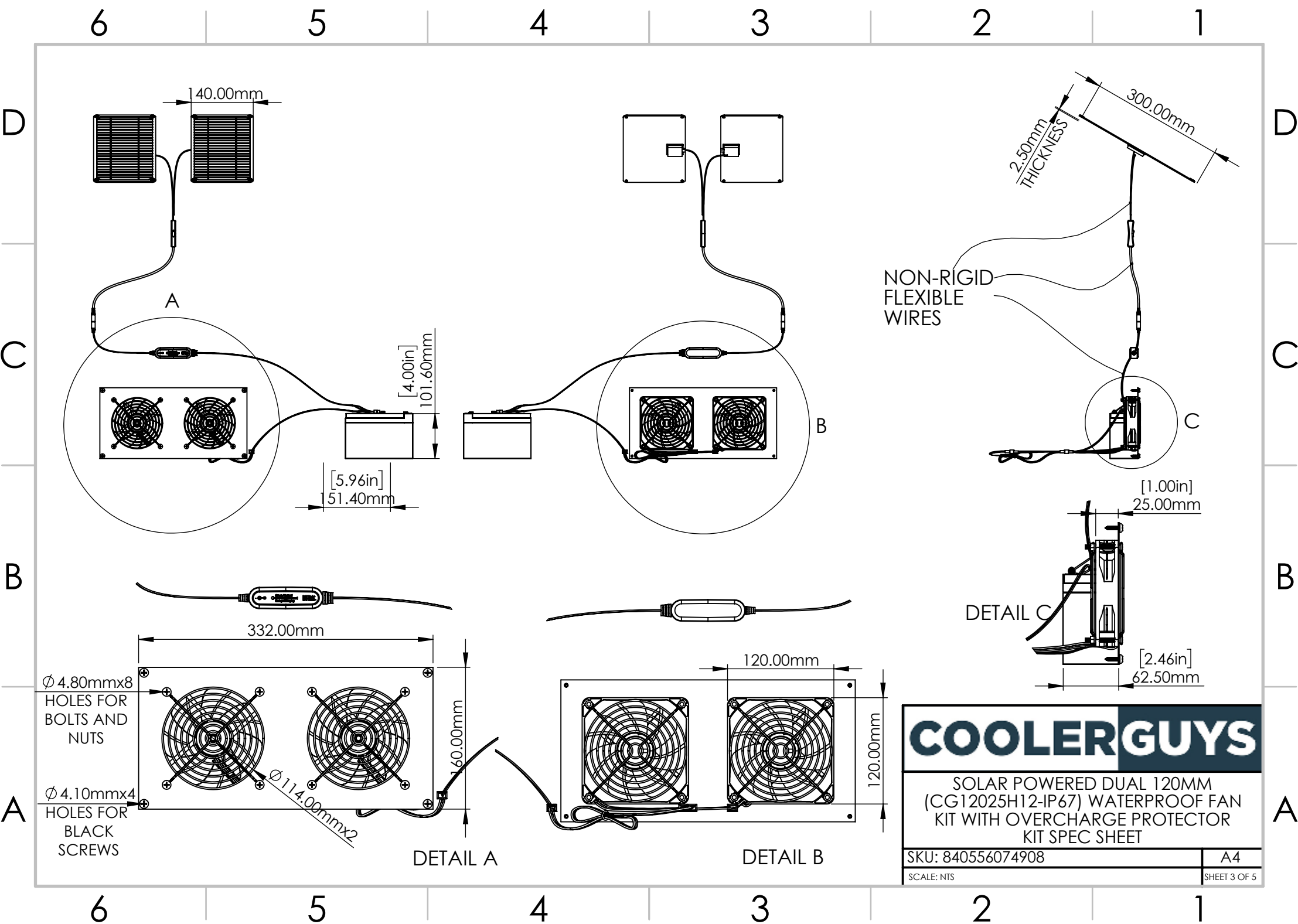
CG12025H12-IP67 840556070276 DUAL FAN SPECIFICATIONS	
DIMENSIONS:	120X120X25MM
BEARING SYSTEM:	BALL BEARING
WIRE OPTION:	3 WIRE WITH TACHOMETER, LENGTH - 762IN (30IN)
CONNECTOR OPTION:	3-PIN 2510 MOLEX (FEMALE HOUSING/MALE PIN)
RATED VOLTAGE:	12 VDC
OPERATING VOLTAGE:	4.9 VDC - 13.8 VDC
RATED OPERATING CURRENT:	0.36 AMP RUNNING
RATED SPEED:	3000 ±10% RPM
AIR FLOW:	210 CFM (COMBINED)
STATIC AIR PRESSURE:	5.31 MMH <sub>2</sub> O
NOISE LEVEL:	45 DBA (COMBINED)
MOTOR PROTECTION TYPE:	BY IMPEDANCE WITH POLARITY PROTECTION
ENVIRONMENTAL PROTECTION:	IP67
LIFE EXPECTANCE:	67,000 HOURS AT 25°C
OPERATION TEMPERATURE:	-10°C TO +70°C
NET WEIGHT:	252G (COMBINED)
OPTIONS:	CLOSED CORNERS

SOLAR PANEL SPECIFICATIONS	
SOLAR PANEL SIZE	300x140x2.5mm
SOLAR CELL TYPE	MONOCRYSTALLINE
SOLAR CELL EFFICIENCY	20.50%
MAXIMUM POWER (P <sub>MAX</sub> )	6.5W
MAXIMUM POWER CURRENT (I <sub>MPP</sub> )	0.5A
OPTIMUM OPERATING VOLTAGE (V <sub>MPP</sub> )	12.4 VDC
OPEN-CIRCUIT VOLTAGE (V <sub>CC</sub> )	14.4 VDC
SHORT-CIRCUIT CURRENT (I <sub>SC</sub> )	0.48A
DUAL SOLAR PANEL	13W, 12 VDC, 1A (MAX)
WORKING TEMPERATURE	-40°C TO +85°C
JUNCTION BOX RATING	≥ip66
DUAL SOLAR PANEL WEIGHT	0.375Kg
CABLE SPEC	22awg dc5221 male cable, use the 304 switch, 150CM



SOLAR POWERED DUAL 120MM (CG12025H12-IP67) WATERPROOF FAN KIT WITH OVERCHARGE PROTECTOR KIT SPEC SHEET

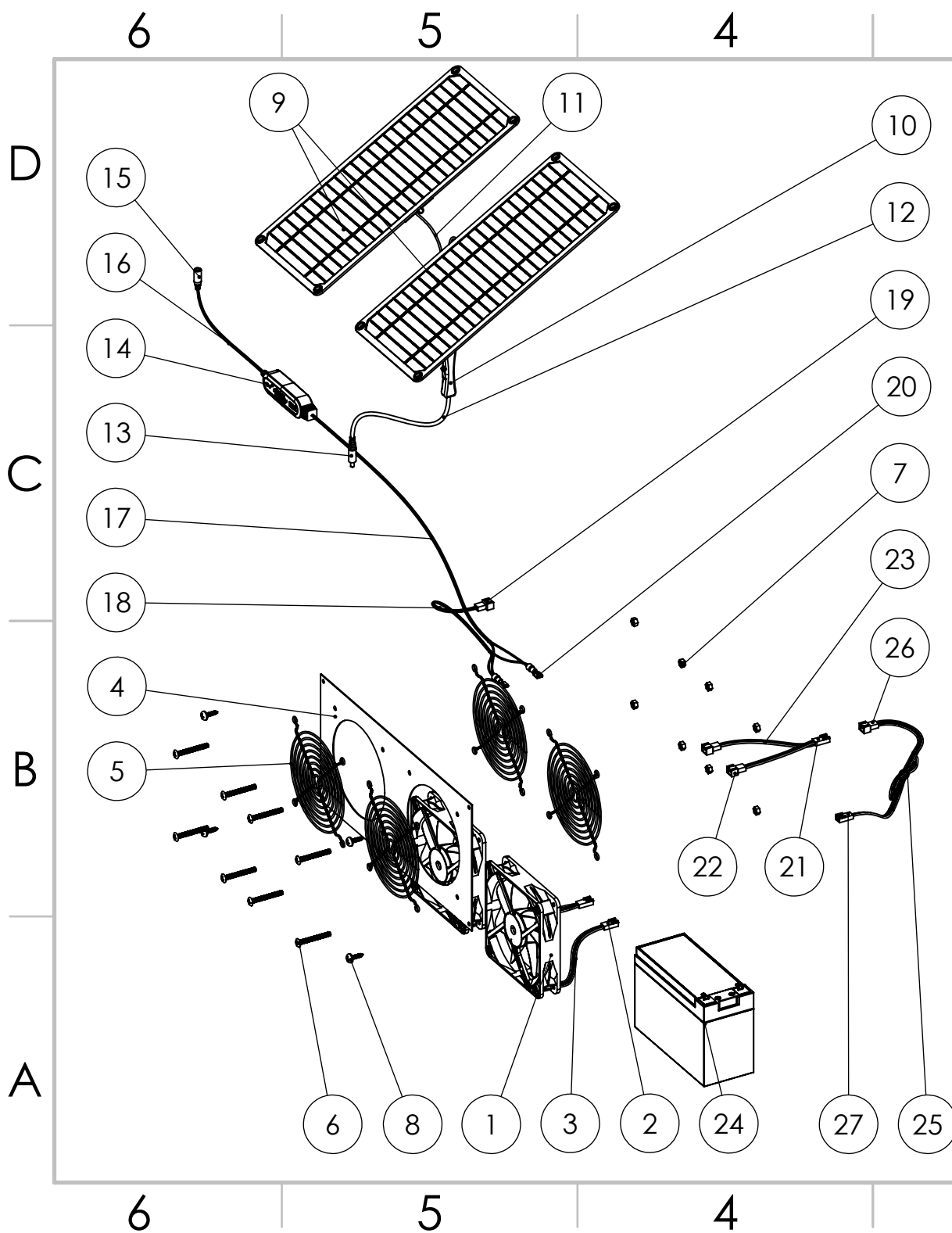
SKU: 840556074908	A4
SCALE: NTS	SHEET 2 OF 5



# COOLERGUYS

SOLAR POWERED DUAL 120MM  
 (CG12025H12-IP67) WATERPROOF FAN  
 KIT WITH OVERCHARGE PROTECTOR  
 KIT SPEC SHEET

SKU: 840556074908	A4
SCALE: NTS	SHEET 3 OF 5



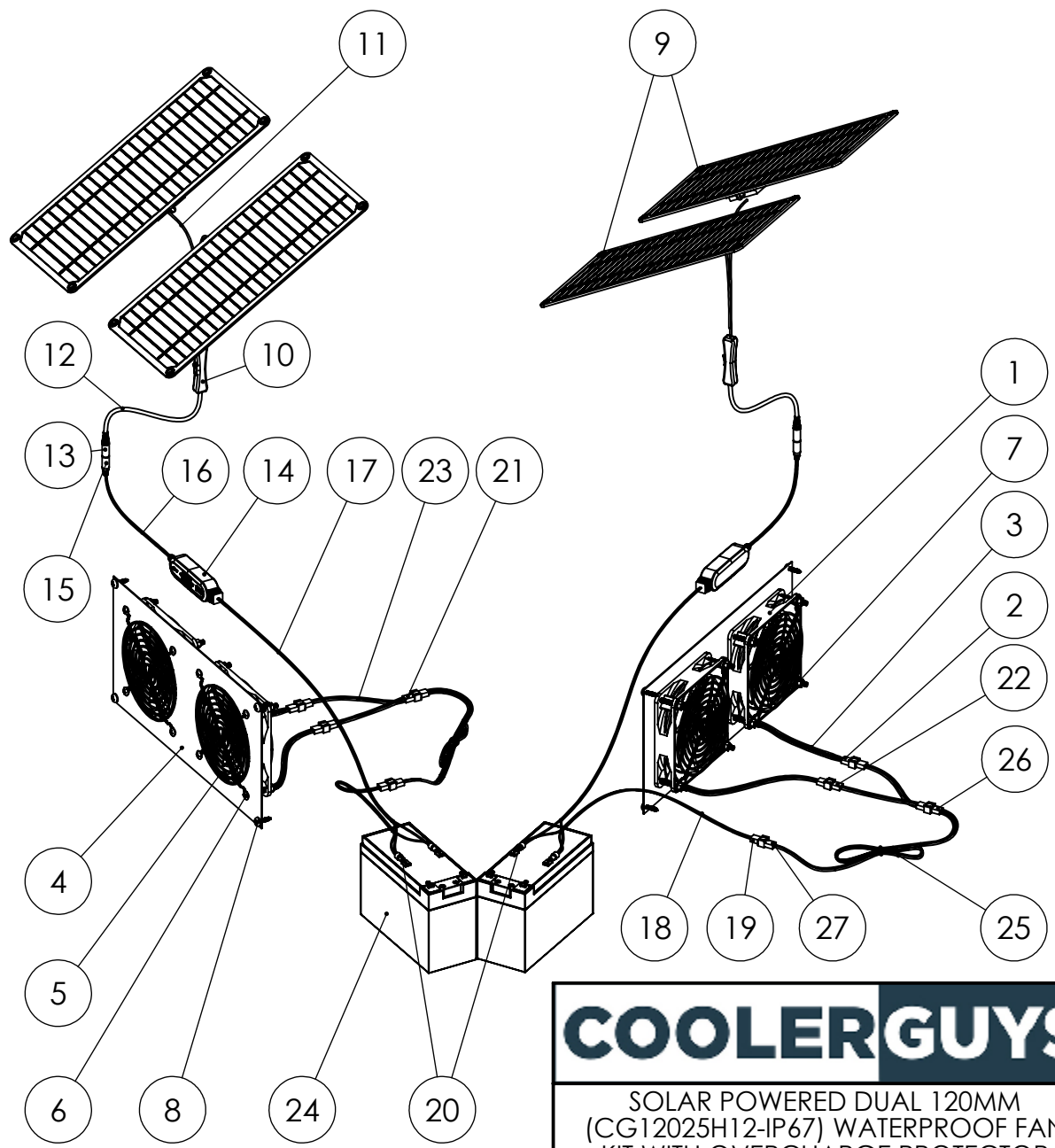
ITEM NO.	SKU	TITLE	DESCRIPTION	QTY.
1		COOLERGUYS 120MM (120X120X25) 3000 RPM IP67 FAN CG12025H12-IP67	COOLERGUYS 120mm (120X120X25) 3000 RPM IP67 FAN CG12025H12-IP67	2
2	840556070276	COOLERGUYS 120MM (120X120X25) 3000 RPM IP67 12V FAN CG12025H12-IP67	3-PIN 2510 MOLEX (FEMALE HOUSING/MALE PIN)	2
3			3 WIRE WITH TACHOMETER, LENGTH - 762MM(30IN)	2
4	840556082613	DUAL 120MM CABINET BRACKET - ACRYLIC	DUAL 120MM CABINET BRACKET - ACRYLIC	1
5	840556082705	120MM BLACK FAN FINGER GRILL	120MM BLACK FAN FINGER GRILL	4
6	840556100348	BOLT (MACHINE SCREW) AND NUT SETS M4 (40MM)	(1-4 PACKS) BOLTS (MACHINE SCREW) 40MM AND NUTS M4 (4 PACKS)	2
7				
8	840556092575	BLACK MOUNTING SCREWS FOR CABINET BRACKET: #6-13 X 5/8"	BLACK MOUNTING SCREWS FOR CABINET BRACKET: #6-13 X 5/8"	4
9			COOLERGUYS 13W DUAL 300X140MM MONOCRYSTALLINE SOLAR PANELS	1
10			304 ON/OFF SWITCH	1
11	840556074236	COOLERGUYS 13W DUAL 300X140MM MONOCRYSTALLINE SOLAR PANELS, WITH DUAL 150cm SWITCH WIRE AND 12V OUTPUT WITH BARREL 2.1 X 5.5mm CONNECTOR	22AWG PARALLEL DC5521 MALE CABLE 150CM	1
12			WIRE SWITCH	1
13			5.5 X 2.1MM MALE BARREL CONNECTOR	1
14			SOLAR BATTERY OVERCHARGE PROTECTOR FOR FAN COOLING KITS	1
15			5.5 X 2.1MM FEMALE BARREL CONNECTOR	1
16	840556074496	SOLAR BATTERY OVERCHARGE PROTECTOR FOR FAN COOLING KITS	UL2468, 18AWGX2C, RED/BLACK 285±10MM	1
17			AWM 2468 18AWG 310±15MM	1
18			AWM 2468 AWG 750±20MM	1
19			STANDARD 3 PIN FAN CONNECTOR	1
20			FEMALE FULLY INSULATED SPADE TERMINAL BLUE 250#	2
21			3-PIN 2510 MOLEX (FEMALE HOUSING/MALE PIN)	1
22	840556104162	3 PIN Y SPLITTER ALL BLACK RIBBON	STANDARD 3 PIN FAN CONNECTOR	2
23			LENGTH: 6IN, COLOR: BLACK, STYLE: RIBBON	2
24	840556075042	12V 7AH RECHARGEABLE LEAD ACID BATTERY WITH SPADE OUTPUT CONNECTORS	RECHARGEABLE LEAD ACID BATTERY	1
25			3 PIN FAN CABLE EXTENSION 72IN RIBBON	1
26	840556101895	3 PIN FAN CABLE EXTENSION 72IN RIBBON	STANDARD 3 PIN FAN CONNECTOR	1
27			3-PIN 2510 MOLEX (FEMALE HOUSING/MALE PIN)	1

**COOLERGUYS**

SOLAR POWERED DUAL 120MM (CG12025H12-IP67) WATERPROOF FAN KIT WITH OVERCHARGE PROTECTOR KIT SPEC SHEET

SKU: 840556074908 A4  
SCALE: NTS SHEET 4 OF 5

ITEM NO.	SKU	TITLE	DESCRIPTION	QTY.
1	840556070276	COOLERGUYS 120MM (120X120X25) 3000 RPM IP67 FAN CG12025H12-IP67	COOLERGUYS 120mm (120X120X25) 3000 RPM IP67 FAN CG12025H12-IP67	2
2			3-PIN 2510 MOLEX (FEMALE HOUSING/MALE PIN)	2
3			3 WIRE WITH TACHOMETER, LENGTH - 762MM(30IN)	2
4	840556082613	DUAL 120MM CABINET BRACKET - ACRYLIC	DUAL 120MM CABINET BRACKET - ACRYLIC	1
5	840556082705	120MM BLACK FAN FINGER GRILL	120MM BLACK FAN FINGER GRILL	4
6	840556100348	BOLT (MACHINE SCREW) AND NUT SETS M4 (40MM)	(1-4 PACKS) BOLTS (MACHINE SCREW) 40MM AND NUTS M4 (4 PACKS)	2
7				
8	840556092575	BLACK MOUNTING SCREWS FOR CABINET BRACKET: #6-13 X 5/8"	BLACK MOUNTING SCREWS FOR CABINET BRACKET: #6-13 X 5/8"	4
9	840556074236	COOLERGUYS 13W DUAL 300X140MM MONOCRYSTALLINE SOLAR PANELS, WITH DUAL 150cm SWITCH WIRE AND 12V OUTPUT WITH BARREL 2.1 X 5.5mm CONNECTOR	COOLERGUYS 13W DUAL 300X140MM MONOCRYSTALLINE SOLAR PANELS	1
10			304 ON/OFF SWITCH	1
11			22AWG PARALLEL DC5521 MALE CABLE 150CM	1
12			WIRE SWITCH	1
13			5.5 X 2.1MM MALE BARREL CONNECTOR	1
14	840556074496	SOLAR BATTERY OVERCHARGE PROTECTOR FOR FAN COOLING KITS	SOLAR BATTERY OVERCHARGE PROTECTOR FOR FAN COOLING KITS	1
15			5.5 X 2.1MM FEMALE BARREL CONNECTOR	1
16			UL2468, 18AWGX2C, RED/BLACK 285±10MM	1
17			AWM 2468 18AWG 310±15MM	1
18			AWM 2468 AWG 750±20MM	1
19			STANDARD 3 PIN FAN CONNECTOR	1
20			FEMALE FULLY INSULATED SPADE TERMINAL BLUE 250#	2
21	840556104162	3 PIN Y SPLITTER ALL BLACK RIBBON	3-PIN 2510 MOLEX (FEMALE HOUSING/MALE PIN)	1
22			STANDARD 3 PIN FAN CONNECTOR	2
23			LENGTH: 6IN, COLOR: BLACK, STYLE: RIBBON	2
24	840556075042	12V 7AH RECHARGEABLE LEAD ACID BATTERY WITH SPADE OUTPUT CONNECTORS	RECHARGEABLE LEAD ACID BATTERY	1
25	840556101895	3 PIN FAN CABLE EXTENSION 72IN RIBBON	3 PIN FAN CABLE EXTENSION 72IN RIBBON	1
26			STANDARD 3 PIN FAN CONNECTOR	1
27			3-PIN 2510 MOLEX (FEMALE HOUSING/MALE PIN)	1



COOLERGUYS

SOLAR POWERED DUAL 120MM (CG12025H12-IP67) WATERPROOF FAN KIT WITH OVERCHARGE PROTECTOR KIT SPEC SHEET

SKU: 840556074908	A4
SCALE: NTS	SHEET 5 OF 5

D

D

C

C

B

B

A

A

6

5

4

3

2

1

6

5

4

3

2

1