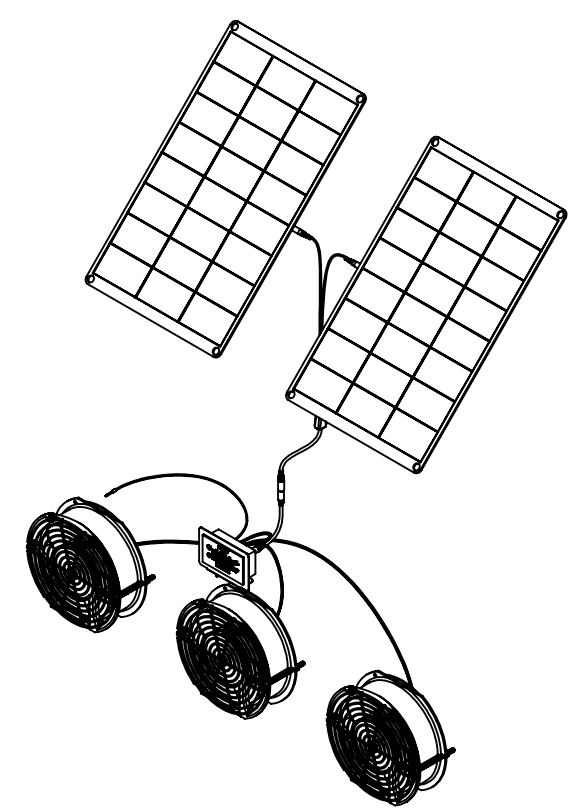


ITEM NO.	SKU	DESCRIPTION	QTY.	SOLAR PANEL SPECIFICATIONS	
1	840556073390	COOLERGUY'S 172mm (7") (172X152X51MM) IP67 WATERPROOF 12V FAN CG17251L12-IP67	3	SOLAR PANEL SIZE	400X250X2.5mm
2		2510 MOLEX 3 PIN CONNECTOR		SOLAR CELL TYPE	MONOCRYSTALLINE
3		3 WIRE WITH TACHOMETER, LENGTH - 330mm (13IN)		SOLAR CELL EFFICIENCY	19.80%
4	840556074335	TWO 18W MONOCRYSTALLINE SOLAR PANELS WITH 12V REGULATOR WITH CONNECTOR CABLE WIRED IN PARALLEL WITH AN ON/OFF SWITCH, WRAPPED IN BUBBLE WRAP WITH CABLE PRE-ATTACHED TO PANELS	1	MAXIMUM POWER (P <sub>MAX</sub> )	18W
5		PARALLEL DC5521 MALE CABLE 22AWG 150CM		MAXIMUM POWER CURRENT (I <sub>MPP</sub> )	1.45A
6		ON/OFF SWITCH		OPTIMUM OPERATING VOLTAGE (V <sub>MPP</sub> )	12.4 VDC
7		WIRE SWITCH		OPEN-CIRCUIT VOLTAGE (V <sub>OC</sub> )	14.4 VDC
8	840556073680	5.5 X 2.1MM MALE BARREL CONNECTOR	1	SHORT-CIRCUIT CURRENT (I <sub>SC</sub> )	1.4A
9		5.5 X 2.1MM FEMALE BARREL CONNECTOR		DUAL SOLAR PANEL	36W, 12 VDC, 2.6A (MAX)
10		152MM(7.2IN) BARREL CONNECTOR MALE/FEMALE EXTENSION CABLE			
11	5.5 X 2.1MM MALE BARREL CONNECTOR	COOLERGUY'S PROGRAMMABLE THERMOSTAT CONTROLLER WITH STAGGERED INTERVAL SETTINGS	1	WORKING TEMPERATURE	-40°C TO +85°C
12	THERMAL PROBE PIN			JUNCTION BOX RATING	≥IP66
13	32" WATERPROOF CABLE				
14	WATERPROOF AND HIGH HEAT THERMOCOUPLE PROBE	SHELF MOUNTING BRACKET FOR PROGRAMMABLE THERMOSTAT	1	DUAL SOLAR PANEL WEIGHT	0.675KG
15					
16	840556091011	BLACK MOUNTING SCREWS FOR CABINET BRACKET: #6-13 X 5/8"	2	CABLE SPEC	22AWG DC5221 MALE CABLE, USE THE 304 SWITCH, 150cm
17	840556092575	172X150MM BLACK FAN FINGER GRILL SC162-W5B	6		
18	840556070740	(1 - 2 PACKS) BOLTS (MACHINE SCREW) 70MM AND NUTS M4	3		
19	840556073444				
20					



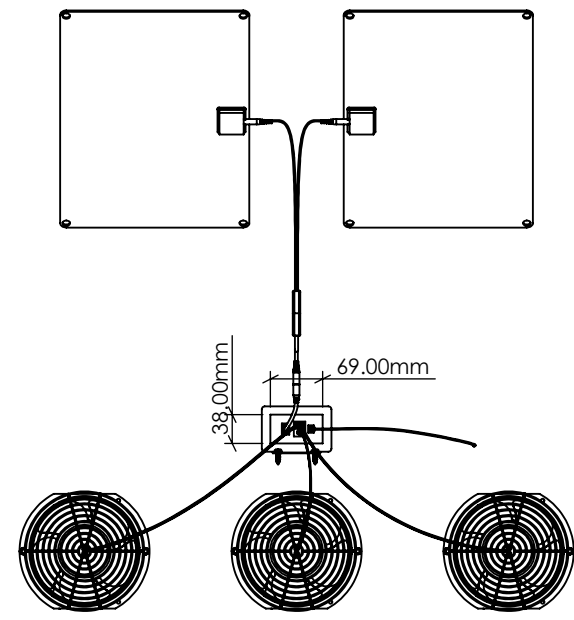
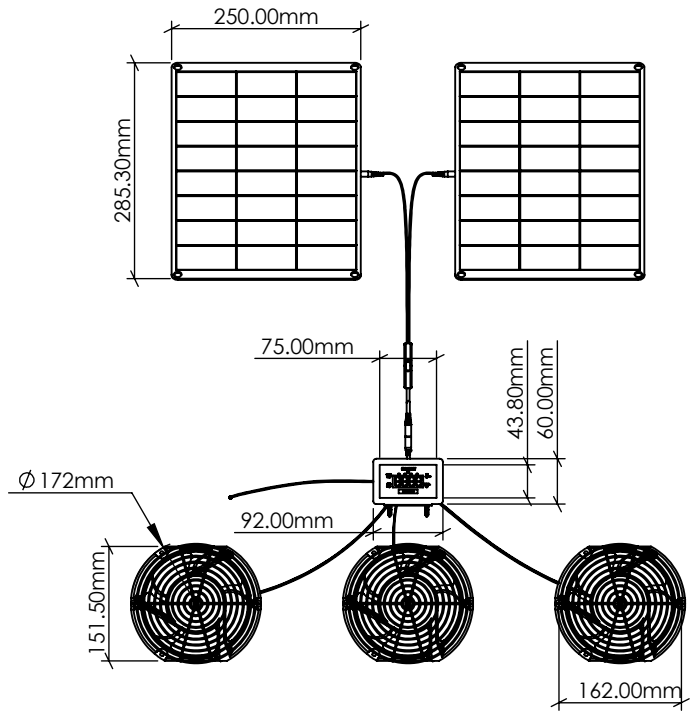
CG12038H12-IP67 840556070283 FAN SPECIFICATIONS	
DIMENSIONS:	172X151X51MM
BEARING SYSTEM:	BALL BEARING
WIRE OPTION:	3 WIRE WITH TACHOMETER, LENGTH - 330mm (13IN)
CONNECTOR OPTION:	3-PIN 2510 MOLEX (FEMALE HOUSING/MALE PIN)
RATED VOLTAGE:	12 VDC
OPERATING VOLTAGE:	4.9 VDC - 13.8 VDC
RATED OPERATING CURRENT:	0.38 AMP RUNNING
RATED SPEED:	2000 ±10% RPM
AIR FLOW:	474 CFM (COMBINED)
STATIC AIR PRESSURE:	6.68 MMH <sub>2</sub> O
NOISE LEVEL:	43.8 DBA (COMBINED)
MOTOR PROTECTION TYPE:	BY IMPEDANCE WITH POLARITY PROTECTION
ENVIRONMENTAL PROTECTION:	IP67
LIFE EXPECTANCE:	67,000 HOURS AT 25°C
OPERATION TEMPERATURE:	-10α TO +70α
NET WEIGHT:	1860G (COMBINED)
OPTIONS:	OPEN CORNERS

<b>COOLERGUY'S</b>	
COOLERGUY'S DUAL SOLAR POWERED TRIPLE 172MM FAN KIT WITH THERMAL CONTROLLER	
SKU: 840556074717	A4
SCALE: NTS	SHEET 1 OF 4

6 5 4 3 2 1

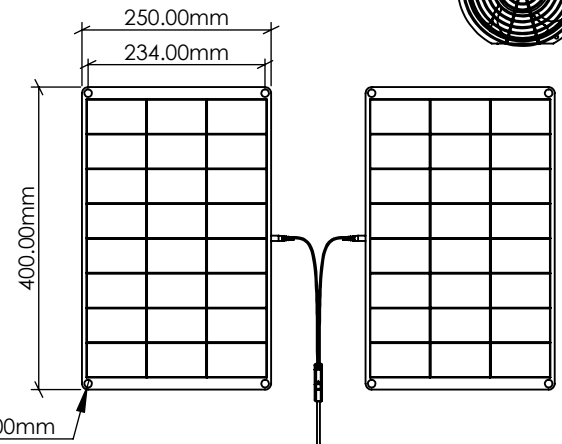
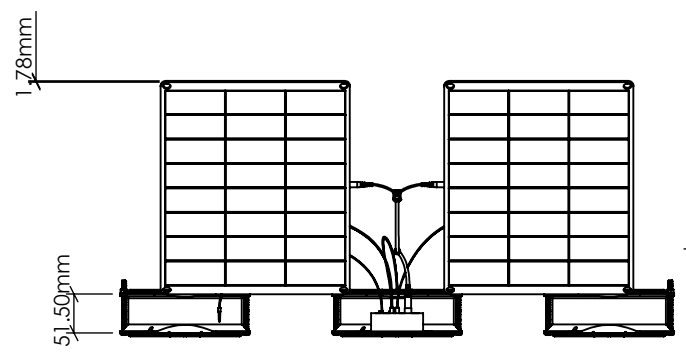
D

D



C

C

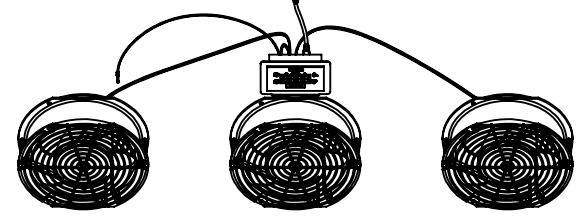


B

B

A

A



<b>COOLERGUY'S</b>	
COOLERGUY'S DUAL SOLAR POWERED TRIPLE 172MM FAN KIT WITH THERMAL CONTROLLER	
SKU: 840556074717	A4
SCALE: NTS	SHEET 2 OF 4

6 5 4 3 2 1

6 5 4 3 2 1

D

C

B

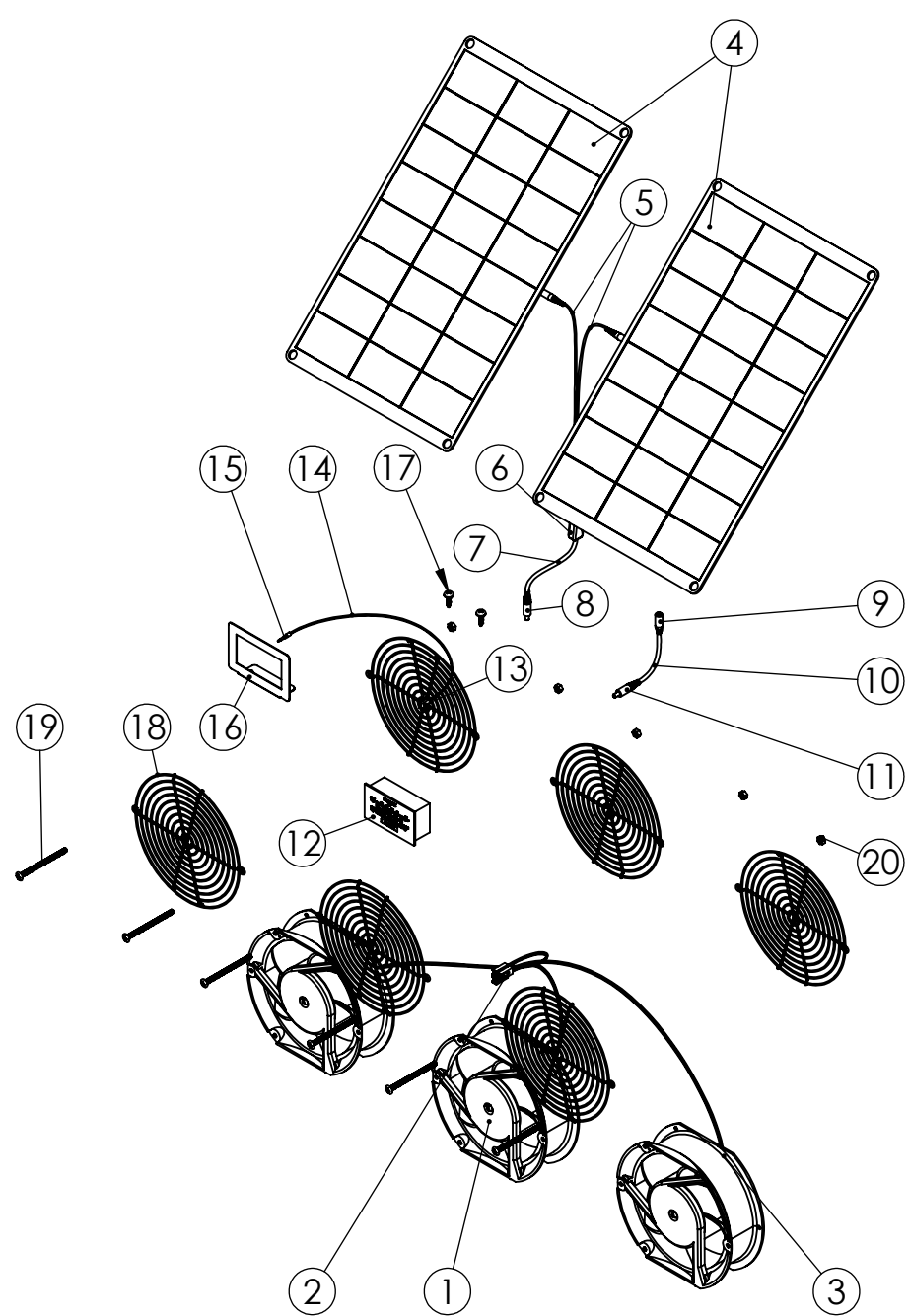
A

D

C

B

A



ITEM NO.	SKU	DESCRIPTION	QTY.
1	840556073390	COOLERGUYS 172mm (7") (172X152X51MM) IP67 WATERPROOF 12V FAN CG17251L12-IP67	3
2		2510 MOLEX 3 PIN CONNECTOR	
3		3 WIRE WITH TACHOMETER, LENGTH - 330mm (13IN)	
4	840556074335	TWO 18W MONOCRYSTALLINE SOLAR PANELS WITH 12V REGULATOR WITH CONNECTOR CABLE WIRED IN PARALLEL WITH AN ON/OFF SWITCH, WRAPPED IN BUBBLE WRAP WITH CABLE PRE-ATTACHED TO PANELS	1
5		PARALLEL DC5521 MALE CABLE 22AWG 150CM	
6		ON/OFF SWITCH	
7		WIRE SWITCH	
8		5.5 X 2.1MM MALE BARREL CONNECTOR	
9		5.5 X 2.1MM FEMALE BARREL CONNECTOR	
10		152MM(72IN) BARREL CONNECTOR MALE/FEMALE EXTENSION CABLE	
11		5.5 X 2.1MM MALE BARREL CONNECTOR	
12	840556071976	COOLERGUYS PROGRAMMABLE THERMOSTAT CONTROLLER WITH STAGGERED INTERVAL SETTINGS	1
13		THERMAL PROBE PIN	
14		32" WATERPROOF CABLE	
15		WATERPROOF AND HIGH HEAT THERMOCOUPLE PROBE	
16		SHELF MOUNTING BRACKET FOR PROGRAMMABLE THERMOSTAT	
17	840556092575	BLACK MOUNTING SCREWS FOR CABINET BRACKET: #6-13 X 5/8"	2
18	840556070740	172X150MM BLACK FAN FINGER GRILL SC162-W5B	6
19	840556073444	(1 - 2 PACKS) BOLTS (MACHINE SCREW) 70MM AND NUTS M4	3
20			

**COOLERGUYS**

COOLERGUYS DUAL SOLAR POWERED TRIPLE 172MM FAN KIT WITH THERMAL CONTROLLER

SKU: 840556074717 A4

SCALE: NTS SHEET 3 OF 4

6 5 4 3 2 1

D

D

C

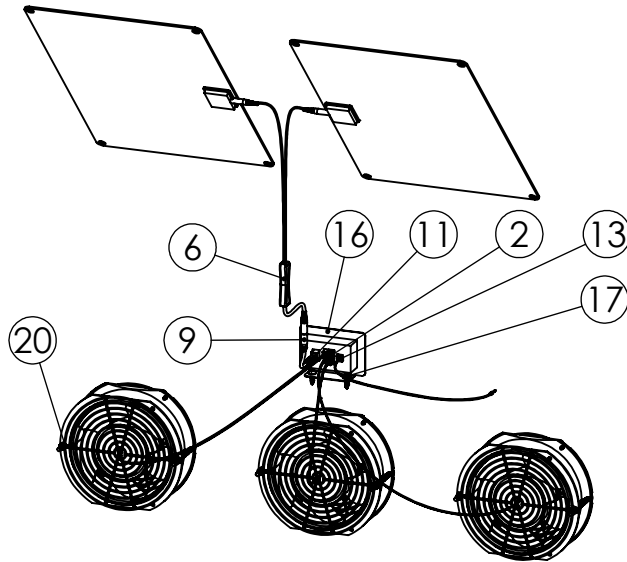
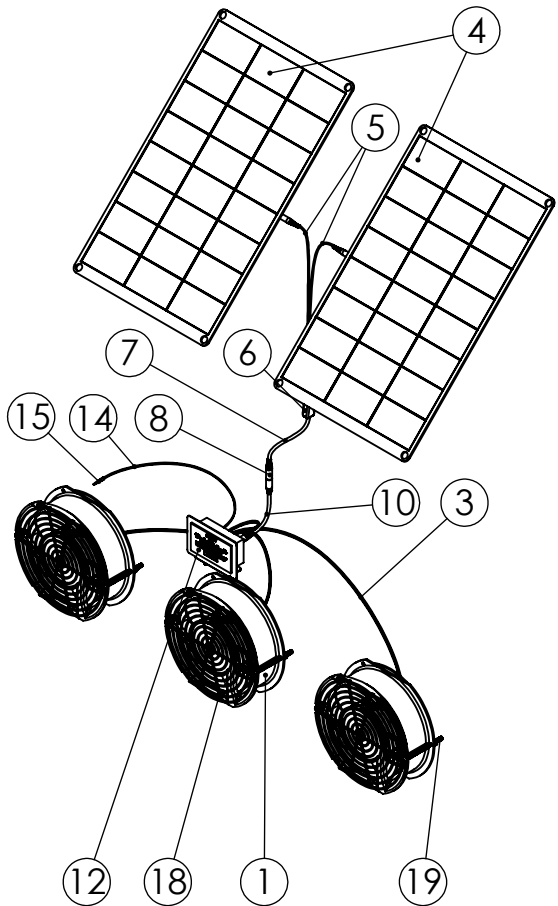
C

B

B

A

A



ITEM NO.	SKU	DESCRIPTION	QTY.
1		COOLERGUY'S 172mm (7") (172X152X51MM) IP67 WATERPROOF 12V FAN CG17251L12-IP67	3
2	840556073390	2510 MOLEX 3 PIN CONNECTOR	
3		3 WIRE WITH TACHOMETER, LENGTH - 330mm (13IN)	
4		TWO 18W MONOCRYSTALLINE SOLAR PANELS WITH 12V REGULATOR WITH CONNECTOR CABLE WIRED IN PARALLEL WITH AN ON/OFF SWITCH, WRAPPED IN BUBBLE WRAP WITH CABLE PRE-ATTACHED TO PANELS	1
5	840556074335	PARALLEL DC5521 MALE CABLE 22AWG 150CM	
6		ON/OFF SWITCH	
7		WIRE SWITCH	
8		5.5 X 2.1MM MALE BARREL CONNECTOR	1
9		5.5 X 2.1MM FEMALE BARREL CONNECTOR	
10	840556073680	152MM(72IN) BARREL CONNECTOR MALE/FEMALE EXTENSION CABLE	
11		5.5 X 2.1MM MALE BARREL CONNECTOR	1
12		COOLERGUY'S PROGRAMMABLE THERMOSTAT CONTROLLER WITH STAGGERED INTERVAL SETTINGS	
13	840556071976	THERMAL PROBE PIN	
14		32" WATERPROOF CABLE	
15		WATERPROOF AND HIGH HEAT THERMOCOUPLE PROBE	1
16	840556091011	SHELF MOUNTING BRACKET FOR PROGRAMMABLE THERMOSTAT	
17	840556092575	BLACK MOUNTING SCREWS FOR CABINET BRACKET: #6-13 X 5/8"	
18	840556070740	172X150MM BLACK FAN FINGER GRILL SC162-W5B	6
19	840556073444	(1 - 2 PACKS) BOLTS (MACHINE SCREW) 70MM AND NUTS M4	3
20			

# COOLERGUY'S

COOLERGUY'S DUAL SOLAR POWERED TRIPLE 172MM FAN KIT WITH THERMAL CONTROLLER

SKU: 840556074717

A4

SCALE: NTS

SHEET 4 OF 4

6

5

4

3

2

1

6

5

4

3

2

1