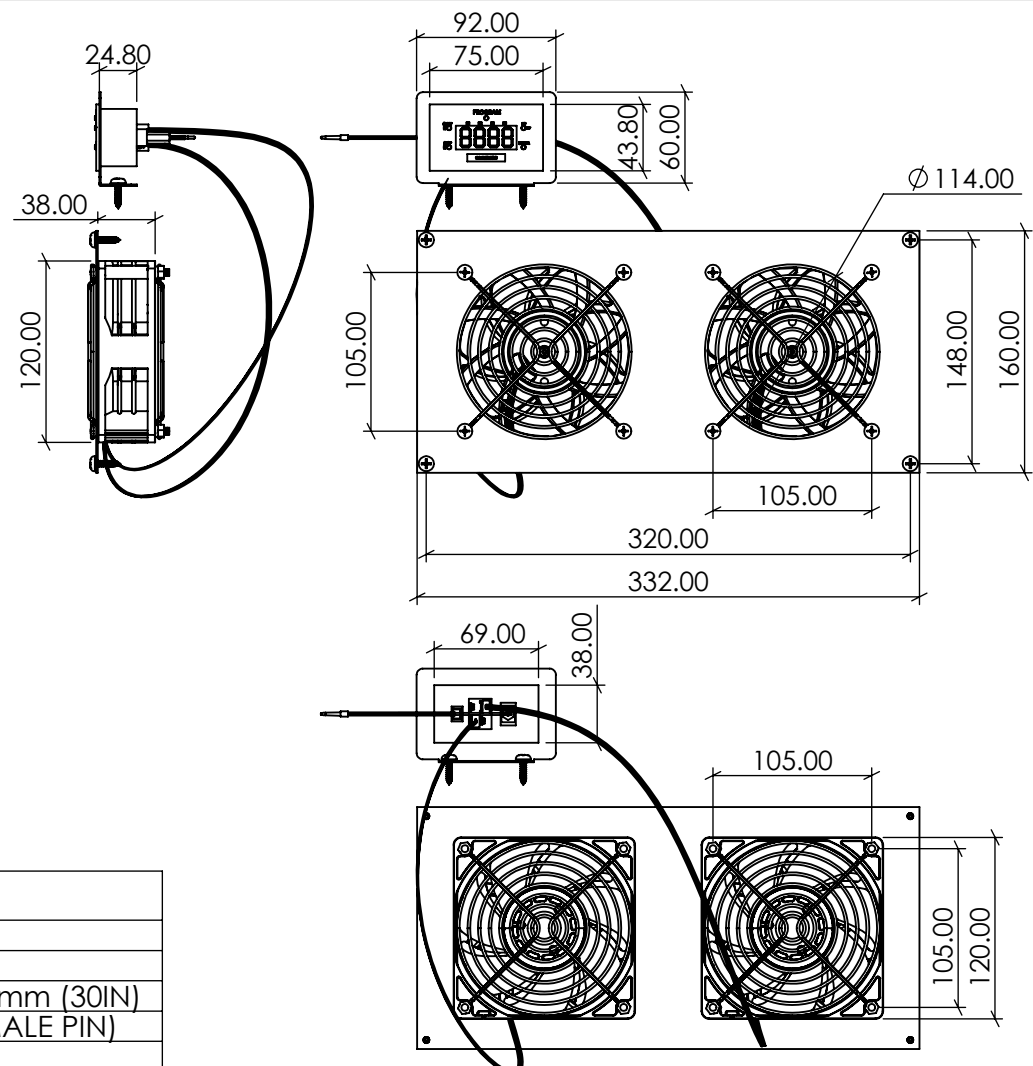


ITEM NO.	SKU	DESCRIPTION	QTY.
1	840556070283	COOLERGUY'S 120MM(120X120X38MM) HIGH SPEED IP67 FAN	2
2		2510 MOLEX 3 PIN CONNECTOR	
3		3 WIRE WITH TACHOMETER, LENGTH - 762mm (30IN)	
4	840556082613	DUAL 120MM BRACKET ACRYLIC COATING	1
5	840556071976	COOLERGUY'S PROGRAMMABLE THERMOSTAT CONTROLLER WITH STAGGERED INTERVAL SETTINGS	1
6		WATERPROOF AND HIGH HEAT THERMOCOUPLE PROBE	
7		32" WATERPROOF CABLE	
8		THERMAL PROBE PIN	
9	840556073567	5.5 X 2.1MM BARREL CONNECTOR TO BARE WIRE CABLE	1
10		WIRE CABLE STRIPPED AT END	
11	840556082705	120MM BLACK FAN FINGER GRILL	4
12	840556091011	SHELF MOUNTING BRACKET FOR PROGRAMMABLE THERMOSTAT	1
13	840556100348	(2 SETS) BOLT (MACHINE SCREW) 50MM AND NUT M4 (4 PACKS)	2
14			
15	840556092575	BLACK MOUNTING SCREWS FOR CABINET BRACKET: #6-13 X 5/8"	6



CG12038H12-IP67 840556070283 FAN SPECIFICATIONS

DIMENSIONS:	120X120X38MM
BEARING SYSTEM:	DUAL BALL BEARING
WIRE OPTION:	3 WIRE WITH TACHOMETER, LENGTH - 762mm (30IN)
CONNECTOR OPTION:	3PIN 2510 MOLEX (FEMALE HOUSING/MALE PIN)
RATED VOLTAGE:	12 VDC
OPERATING VOLTAGE:	6.9 VDC - 13.8 VDC
RATED OPERATING CURRENT:	0.75 AMP
RATED SPEED:	3500 ±10% RPM
AIR FLOW:	314 CFM (COMBINED)
STATIC AIR PRESSURE:	9.87 MMH2O
NOISE LEVEL:	48 DBA (COMBINED)
MOTOR PROTECTION TYPE:	BY IMPEDANCE WITH POLARITY PROTECTION
ENVIRONMENTAL PROTECTION:	IP67
LIFE EXPECTANCE:	67,000 HOURS AT 25 °C
OPERATION TEMPERATURE:	-30 °C TO +75 °C
NET WEIGHT:	300G
OPTIONS:	CLOSED CORNERS

COOLERGUY'S

COOLING KIT FOR RV AND BOATS
(DUAL FAN 120MM IP67 12 VDC) WITH
SIDE BRACKET FOR THERMOSTAT
CONTROLLER

SKU:840556074571 A4

SCALE: NTS SHEET 1 OF 3

6

5

4

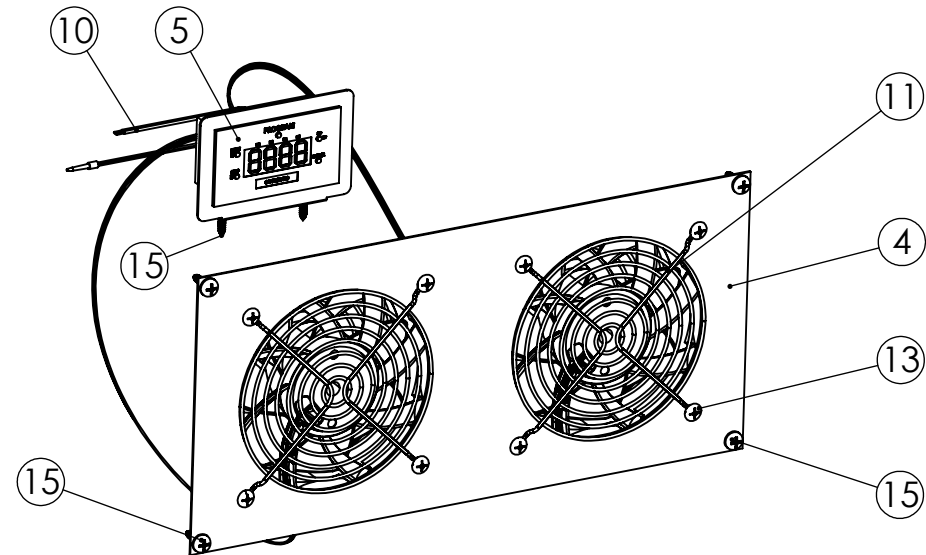
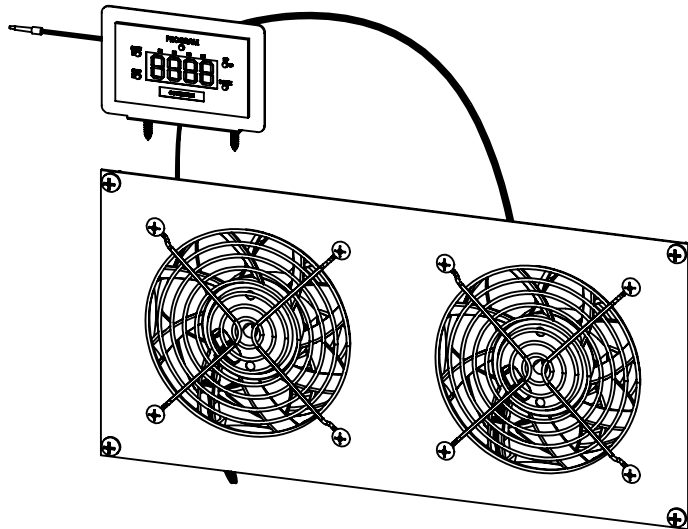
3

2

1

D

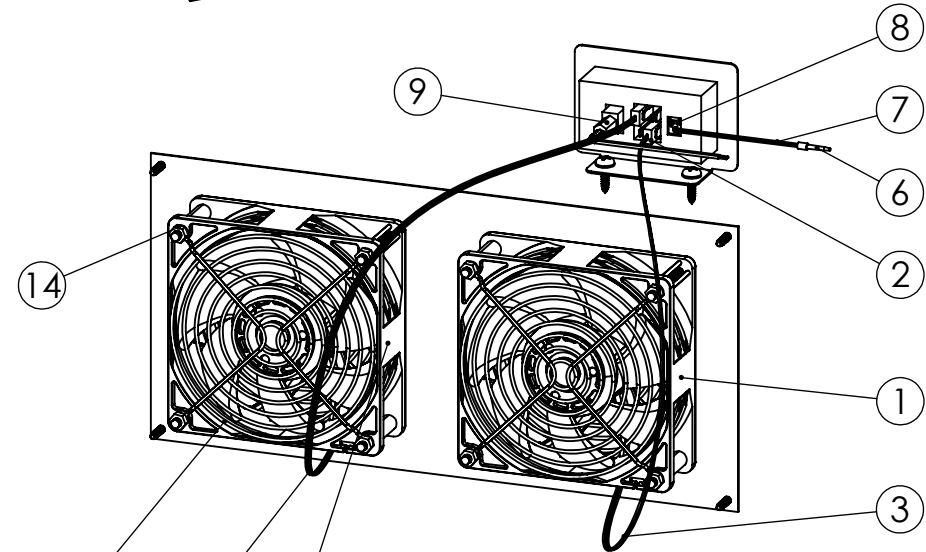
C



D

C

ITEM NO.	SKU	DESCRIPTION	QTY.
1	840556070283	COOLERGUYS 120MM(120X120X38MM) HIGH SPEED IP67 FAN	2
2		2510 MOLEX 3 PIN CONNECTOR	
3		3 WIRE WITH TACHOMETER, LENGTH - 762MM(30IN)	
4	840556082613	DUAL 120MM BRACKET ACRYLIC COATING	1
5	840556071976	COOLERGUYS PROGRAMMABLE THERMOSTAT CONTROLLER WITH STAGGERED INTERVAL SETTINGS WATERPROOF AND HIGH HEAT THERMOCOUPLE PROBE	1
6		32" WATERPROOF CABLE	
7		THERMAL PROBE PIN	
8		5.5 X 2.1MM BARREL CONNECTOR TO BARE WIRE CABLE	
9		WIRE CABLE STRIPPED AT END	
10	840556073567	5.5 X 2.1MM BARREL CONNECTOR TO BARE WIRE CABLE	1
11	840556082705	120MM BLACK FAN FINGER GRILL	4
12	840556091011	SHELF MOUNTING BRACKET FOR PROGRAMMABLE THERMOSTAT	1
13	840556100348	(2 SETS) BOLT (MACHINE SCREW) 50MM AND NUT M4 (4 PACKS)	2
14			
15	840556092575	BLACK MOUNTING SCREWS FOR CABINET BRACKET: #6-13 X 5/8"	6



B

A

COOLERGUYS

COOLING KIT FOR RV AND BOATS
(DUAL FAN 120MM IP67 12 VDC) WITH
SIDE BRACKET FOR THERMOSTAT
CONTROLLER

SKU:840556074571 A4

SCALE: NTS SHEET 2 OF 3

6

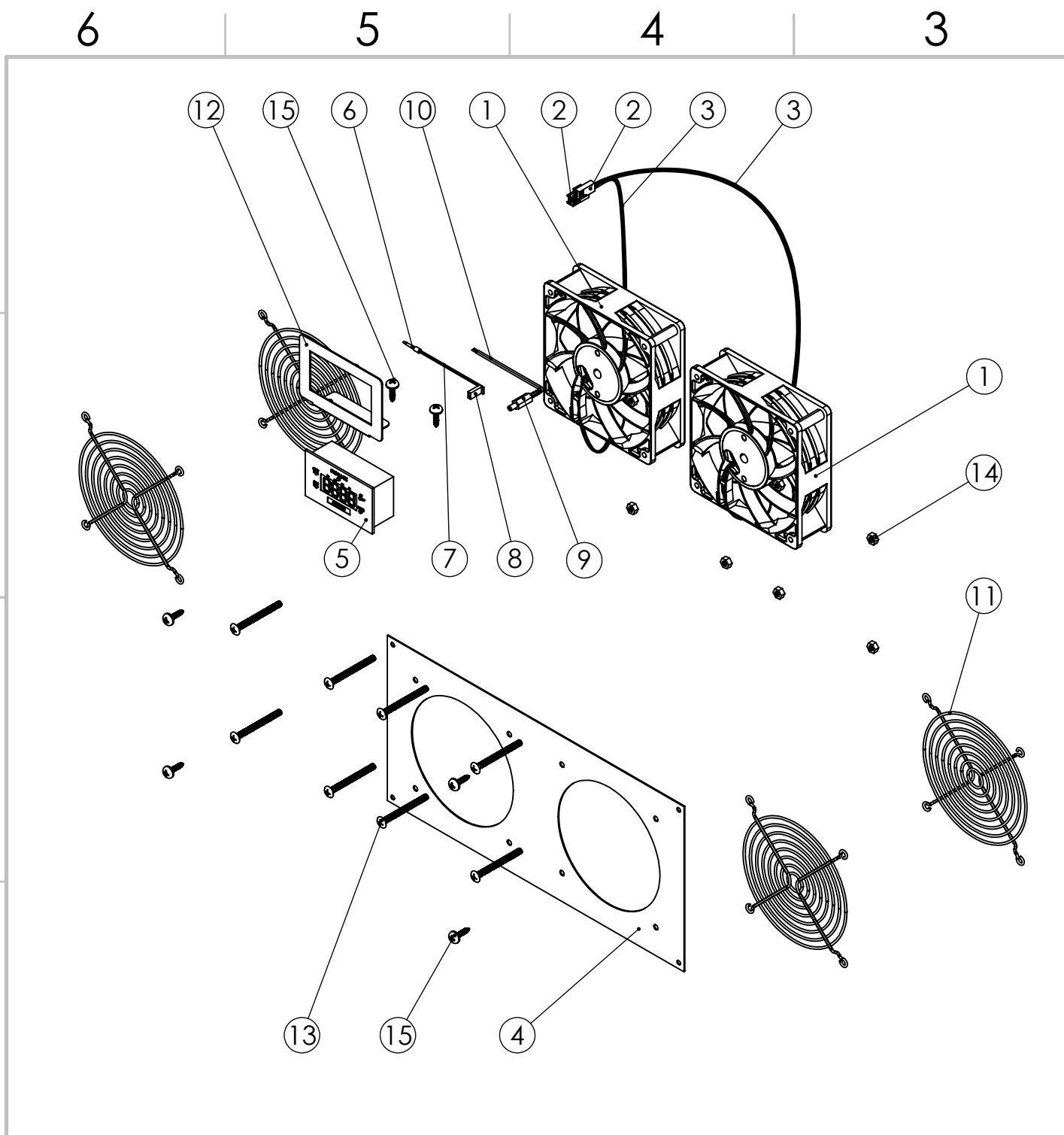
5

4

3

2

1



ITEM NO.	SKU	DESCRIPTION	QTY.
1	840556070283	COOLERGUY'S 120MM(120X120X38MM) HIGH SPEED IP67 FAN	2
2		2510 MOLEX 3 PIN CONNECTOR	
3		3 WIRE WITH TACHOMETER, LENGTH - 762MM(30IN)	
4	840556082613	DUAL 120MM BRACKET ACRYLIC COATING	1
5	840556071976	COOLERGUY'S PROGRAMMABLE THERMOSTAT CONTROLLER WITH STAGGERED INTERVAL SETTINGS	1
6		WATERPROOF AND HIGH HEAT THERMOCOUPLE PROBE	
7		32" WATERPROOF CABLE	
8		THERMAL PROBE PIN	
9	840556073567	5.5 X 2.1MM BARREL CONNECTOR TO BARE WIRE CABLE	1
10		WIRE CABLE STRIPPED AT END	
11	840556082705	120MM BLACK FAN FINGER GRILL	4
12	840556091011	SHELF MOUNTING BRACKET FOR PROGRAMMABLE THERMOSTAT	1
13	840556100348	(2 SETS -PACKS) BOLT (MACHINE SCREW) 50MM AND	2
14		NUTS M4	
15	840556092575	BLACK MOUNTING SCREWS FOR CABINET BRACKET: #6-13 X 5/8"	6

COOLERGUY'S

COOLING KIT FOR RV AND BOATS
(DUAL FAN 120MM IP67 12 VDC) WITH
SIDE BRACKET FOR THERMOSTAT
CONTROLLER

SKU:840556074571 A4

SCALE: NTS SHEET 3 OF 3