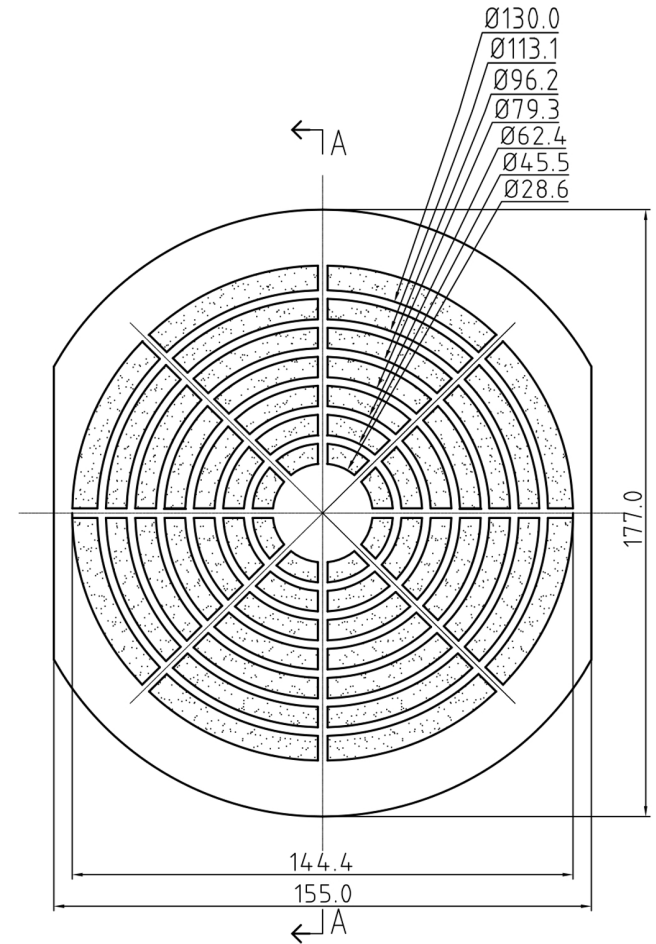


Section A-A



## 172mm Fan Filter Grill

[www.coolerguys.com](http://www.coolerguys.com)

Technical Parameter:

1. Material of Fan Guard: Heat-resistant ABS Plastic
2. Material of Filter: Nylon fibers synthetic resin
3. Operating Temperature: -10°C ~ 55 °C

4. Rate of Dustproof: 89%
5. IP Rate: IP54