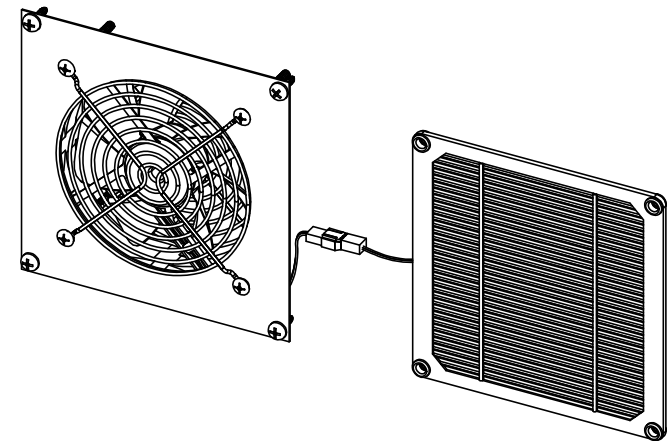
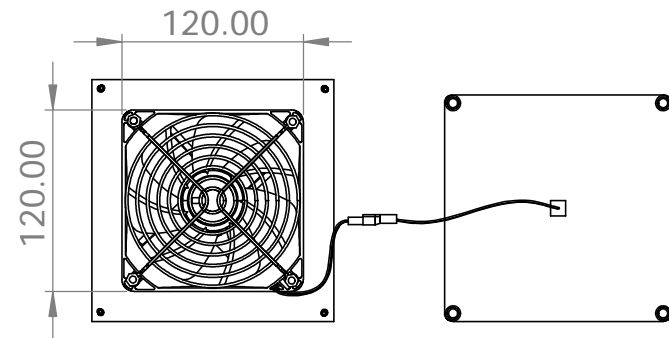
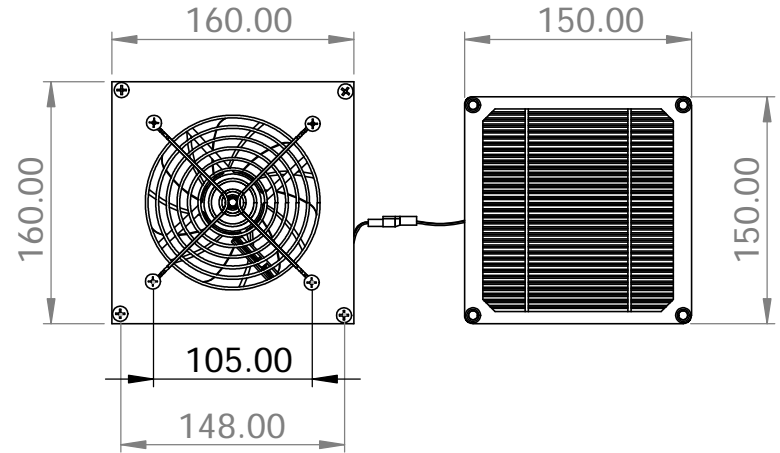
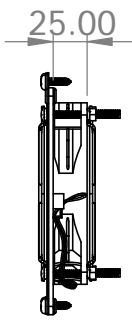


ITEM NO.	SKU	DESCRIPTION	QTY.
1	840556073529	SEMI FLEXIBLE SOLAR PANEL WITH 12V 3PIN FAN OUTPUT WITH 2 WIRE 30(IN)	1
2	840556073796	COOLERGUYS 120X120X25mm IP67, DUAL BALL BEARING 1700RPM CG12025M12-IP67	1
3	N/A	2510 MOLEX 3 PIN FEMALE/MALE CONNECTOR 3 WIRE WITH TACHOMETER 30(IN)	1
4	N/A	2510 MOLEX 3 PIN MALE/FEMALE CONNECTOR 2 WIRE WITH 30(IN)	1
5	840556082705	120MM BLACK FAN FINGER GRILL	2
6	840556100348	BOLT (MACHINE SCREW)40MM	4
7	840556100348	M4 NUT	4
8	840556092575	BLACK MOUNTING SCREWS FOR CABINET BRACKET: #6-13 X 5/8"	4
9	840556082606	SINGLE 120MM BRACKET ACRYLIC COATING	1

CG12025M12-IP67 840556073796  
FAN SPECIFICATIONS

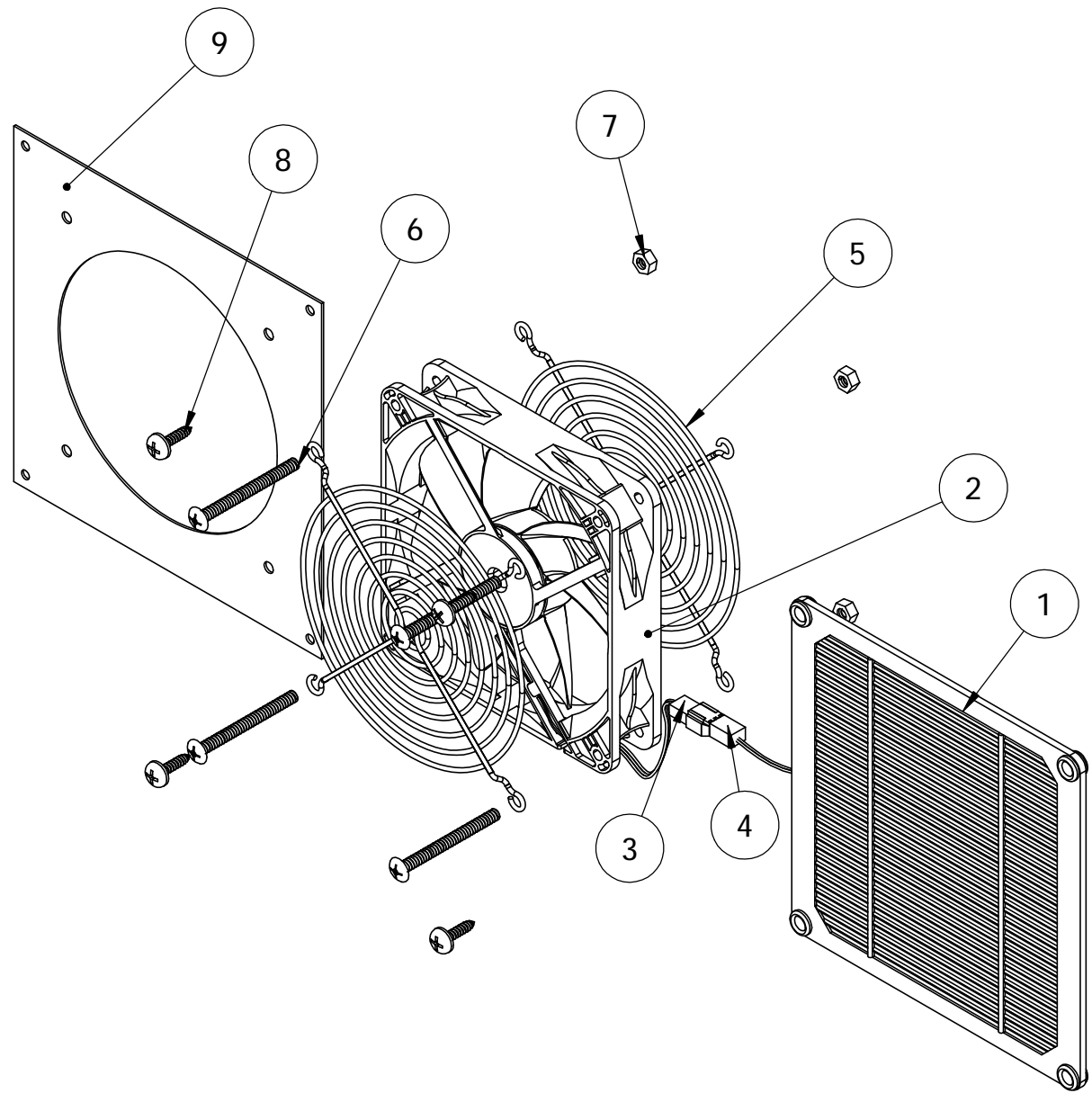
DIMENSION	120X120X25MM
BEARING SYSTEM	DUAL BALL BEARING
WIRE OPTION	3 WIRE WITH TACHOMETER, LENGTH - 762MM (30IN)
CONNECTOR OPTION	3-PIN 2510 MOLEX (FEMALE HOUSING/MALE PIN)
RATED VOLTAGE	12V DC
OPERATING VOLTAGE	4.9 VDC - 13.8 VDC
RATED CURRENT	0.14 AMP RUNNING
RATED SPEED	1700 ±10% RPM
AIR FLOW	73 CFM
STATIC AIR PRESSURE	2.47 MMH2O
NOISE LEVEL	32 DBA
MOTOR PROTECTION TYPE	BY IMPEDANCE WITH POLARITY PROTECTION
ENVIRONMENTAL PROTECTION	IP67
LIFE EXPECTANCE	67,000 HOURS AT 25C
OPERATION TEMPERATURE	-40C TO +65C
NET WEIGHT	137G
OPTIONS	OPEN CORNERS



SHEET NO.  
1 OF 2

SKU - 840556071495  
SOLAR POWERED WATERPROOF FAN KIT FOR CHICKEN COOPS, GREENHOUSES, DOGHOUSES, SHEDS, AND OTHER ENCLOSURES

ITEM NO.	SKU	DESCRIPTION	QTY.
1	840556073529	SEMI FLEXIBLE SOLAR PANEL WITH 12V 3PIN FAN OUTPUT WITH 2 WIRE (30IN)	1
2	840556073796	COOLERGUYS 120X120X25MM IP67, DUAL BALL BEARING 1700RPM CG12025M12-IP67	1
3	N/A	2510 MOLEX 3 PIN FEMALE/MALE CONNECTOR 3 WIRE WITH TACHOMETER (30IN)	1
4	N/A	2510 MOLEX 3 PIN MALE/FEMALE CONNECTOR 2 WIRE WITH (30IN)	1
5	840556082705	120MM BLACK FAN FINGER GRILL	2
6	840556100348	BOLT (MACHINE SCREW)40MM	4
7	840556100348	M4 NUT	4
8	840556092575	BLACK MOUNTING SCREWS FOR CABINET BRACKET: #6-13 X 5/8"	4
9	840556082606	SINGLE 120MM BRACKET ACRYLIC COATING	1



SHEET NO.	SKU - 840556071495
2 OF 2	SOLAR POWERED WATERPROOF FAN KIT FOR CHICKEN COOPS, GREENHOUSES, DOGHOUSES, SHEDS, AND OTHER ENCLOSURES