

6

5

4

3

2

1

D

D

C

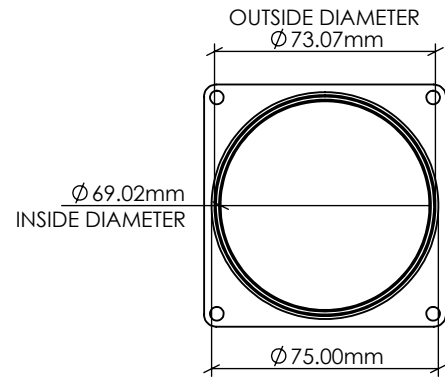
C

B

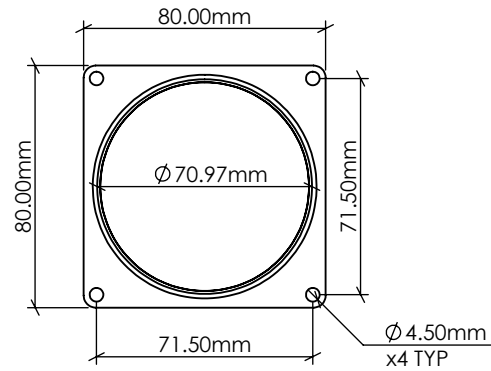
B

A

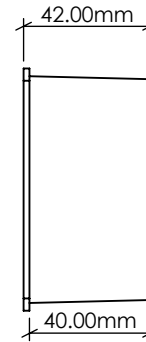
A



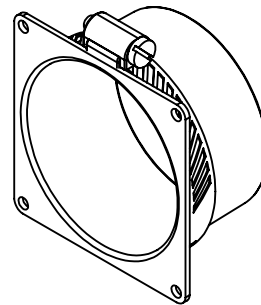
REAR



FRONT



RIGHT



ABS PLASTIC
END CAP FAN SHROUD
FOR 80MM FANS

STAINLESS STEEL CLAMP BELT
WITH 0.6MM THICKNESS
ADJUSTABLE TO 72-92MM Ø

COOLERGUYS

80MM DUCTING END CAP

SKU: 840556071242

A4

SCALE: NTS

SHEET 1 OF 1

6

5

4

3

2

1