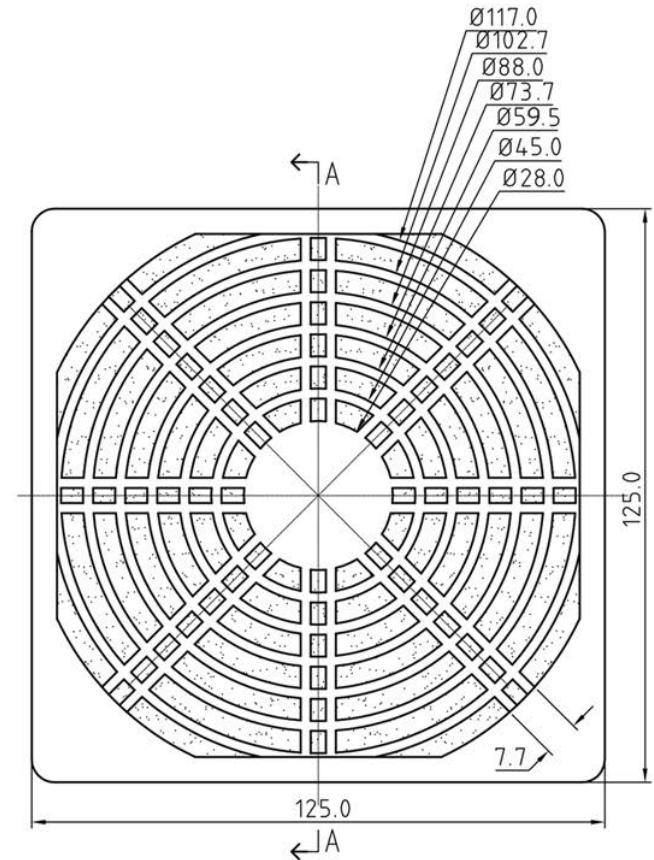


Section A-A



120mm Fan Filter Grill

www.coolerguys.com

Technical Parameter:

1. Material of Fan Guard: Heat-resistant ABS Plastic
2. Material of Filter: Nylon fibers synthetic resin
3. Operating Temperature: $10^{\circ}\text{C} \sim 50^{\circ}\text{C}$

4. Rate of Dustproof: 89%
5. IP Rate: IP54