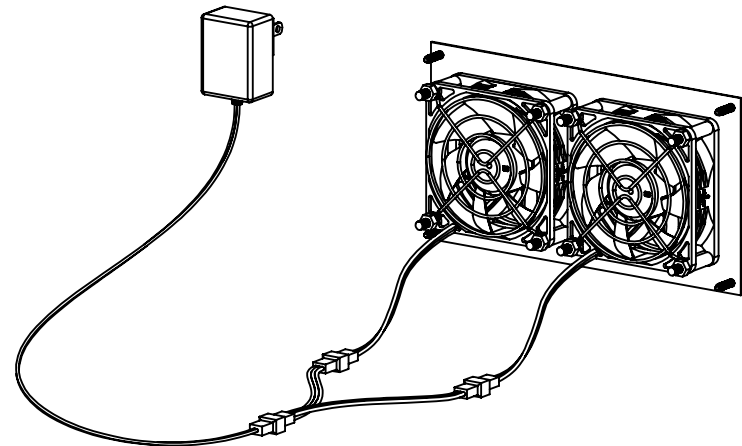
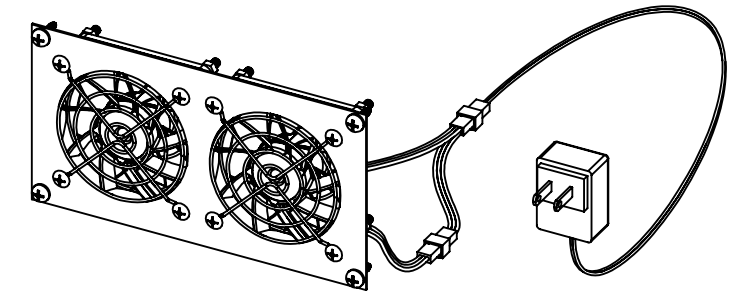


ITEM NO.	SKU	TITLE	DESCRIPTION	QTY.
1	840556092032	COOLERGUYS 80X80X25MM ULTRA QUIET DUAL BALL 12 VOLT LOW SPEED FAN	80X80X25MM WITH LOW SPEED OF FAN MODEL	2
2			3-PIN 2510 MOLEX (FEMALE HOUSING/MALE PIN) CONNECTOR	
3			3 WIRE WITH TACHOMETER, LENGTH - 762MM(30IN)	
4	840556094517	COOLERGUYS DUAL 80MM FAN BRACKET BLACK POWDER COATED METAL	BLACK POWDER COATED METAL BRACKET FOR TWO 80mm FANS	1
5	840556082897	80mm BLACK FAN FINGER GRILL	BLACK FAN FINGER GRILL FOR 80mm FANS	4
6	840556072294	COOLERGUYS FAN POWER SUPPLY 100-240V AC TO 12V DC 1A OUTPUT 3PIN OR 4PIN PWM CONNECTOR	COOLERGUYS FAN POWER SUPPLY 100-240V AC TO 12V DC 1A OUTPUT	1
7			STANDARD 3PIN OR 4PIN CONNECTOR	1
8			1.5M(60IN) LEAD CABLE	1
9	840556104162	3 PIN Y SPLITTER ALL BLACK RIBBON	3-PIN 2510 MOLEX (FEMALE HOUSING/MALE PIN)	1
10			STANDARD 3 PIN FAN CONNECTOR	2
11			LENGTH: 6IN, COLOR: BLACK, STYLE: RIBBON	2
12	840556100348	(1 - 4 PACKS) BOLTS(MACHINE SCREW) 40MM AND NUTS M4	BOLTS(MACHINE SCREW) 40MM	2
13			M4 NUT	
14	840556092575	BLACK WOOD SCREWS M3.5 *12mm	MOUNTING SCREWS FOR BRACKET	4
CG08025L12B2-3Y 840556092032 2 FAN SPECIFICATIONS				
DIMENSIONS:		80X80X25MM		
BEARING SYSTEM:		DUAL BALL BEARING		
WIRE OPTION:		3 WIRE WITH TACHOMETER, LENGTH - 762MM (30IN)		
CONNECTOR OPTION:		3PIN 2510 MOLEX (FEMALE HOUSING/MALE PIN)		
RATED VOLTAGE:		12 VDC		
OPERATING VOLTAGE:		4.9 VDC - 13.8 VDC		
RATED OPERATING CURRENT:		0.02 AMP RUNNING		
RATED SPEED:		1500 ±10% RPM		
AIR FLOW:		40 CFM (COMBINED)		
STATIC AIR PRESSURE:		2.01 MMH2O		
NOISE LEVEL:		20 DBA(COMBINED)		
MOTOR PROTECTION TYPE:		BY IMPEDANCE WITH POLARITY PROTECTION		
ENVIRONMENTAL PROTECTION:		NONE		
LIFE EXPECTANCE:		67,000 HOURS AT 25°C		
OPERATION TEMPERATURE:		-10°C TO +70°C		
NET WEIGHT:		132G(COMBINED)		
OPTIONS:		CLOSED CORNERS		



COOLERGUYS

COOLERGUYS DUAL 80MM FAN COOLING KIT - METAL BRACKET

SKU: 840556002345 A4
SCALE: NTS SHEET 1 OF 3

6

5

4

3

2

1

D

D

C

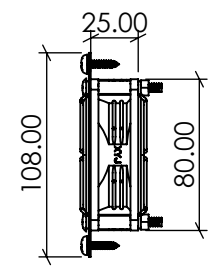
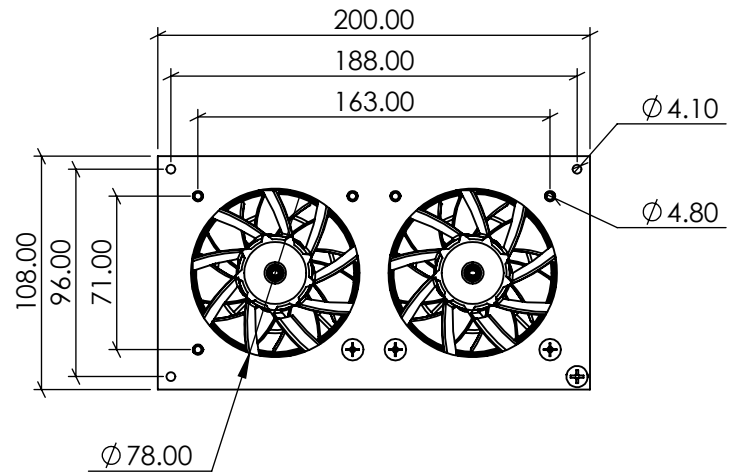
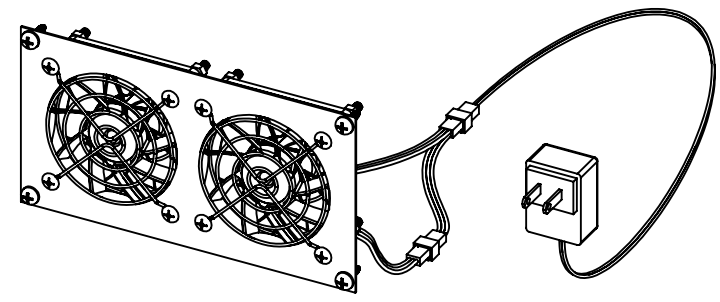
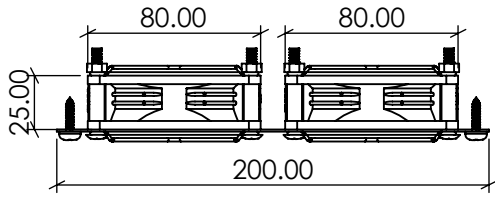
C

B

B

A

A



COOLERGUY'S

COOLERGUY'S DUAL 80MM FAN
COOLING KIT - METAL BRACKET

SKU: 840556002345	A4
SCALE: NTS	SHEET 2 OF 3

6

5

4

3

2

1

D

C

B

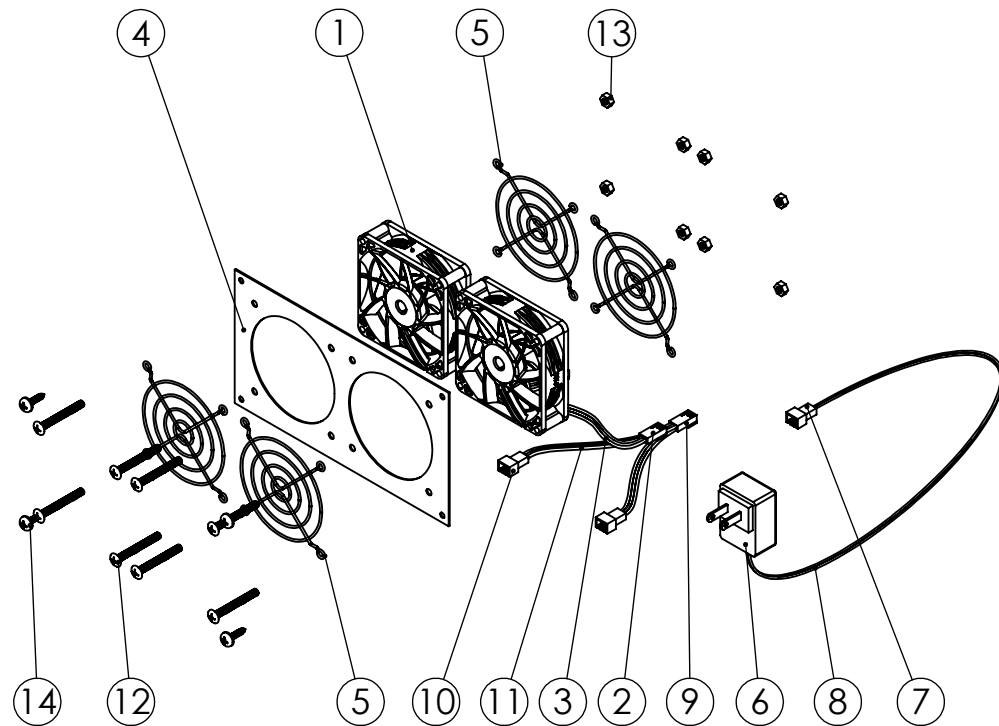
A

D

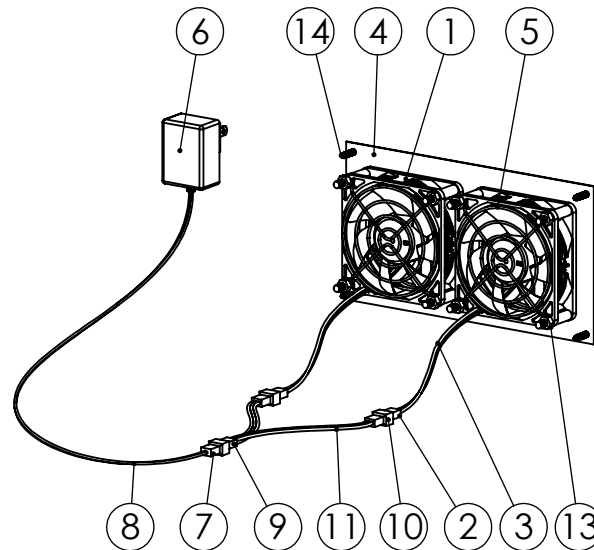
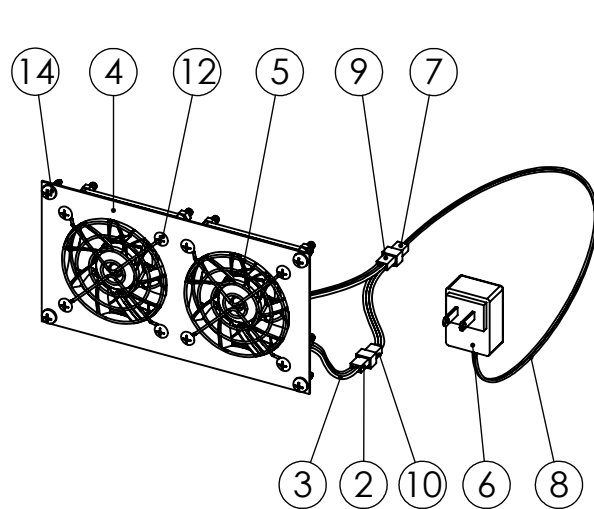
C

B

A



ITEM NO.	SKU	TITLE	DESCRIPTION	QTY.
1			80X80X25MM WITH LOW SPEED OF FAN MODEL	2
2	840556092032	COOLERGUYS 80X80X25MM ULTRA QUIET DUAL BALL 12 VOLT LOW SPEED FAN	3-PIN 2510 MOLEX (FEMALE HOUSING/MALE PIN) CONNECTOR	
3			3 WIRE WITH TACHOMETER, LENGTH - 762MM(30IN)	
4	840556094517	COOLERGUYS DUAL 80MM FAN BRACKET BLACK POWDER COATED METAL	BLACK POWDER COATED METAL BRACKET FOR TWO 80mm FANS	1
5	840556082897	80mm BLACK FAN FINGER GRILL	BLACK FAN FINGER GRILL FOR 80mm FANS	4
6			COOLERGUYS FAN POWER SUPPLY 100-240V AC TO 12V DC 1A OUTPUT 3PIN OR 4PIN PWM CONNECTOR	1
7	840556072294		STANDARD 3PIN OR 4PIN CONNECTOR	1
8			1.5M(60IN) LEAD CABLE	1
9			3-PIN 2510 MOLEX (FEMALE HOUSING/MALE PIN)	1
10	840556104162	3 PIN Y SPLITTER ALL BLACK RIBBON	STANDARD 3 PIN FAN CONNECTOR	2
11			LENGTH: 6IN, COLOR: BLACK, STYLE: RIBBON	2
12	840556100348	(1 - 4 PACKS) BOLTS(MACHINE SCREW) 40MM	BOLTS(MACHINE SCREW) 40MM	2
13			M4 NUT	
14	840556092575	BLACK WOOD SCREWS M3.5 *12mm	MOUNTING SCREWS FOR BRACKET	4



COOLERGUYS

COOLERGUYS DUAL 80MM FAN COOLING KIT - METAL BRACKET

SKU: 840556002345

A4

SCALE: NTS

SHEET 3 OF 3

6

5

4

3

2

1