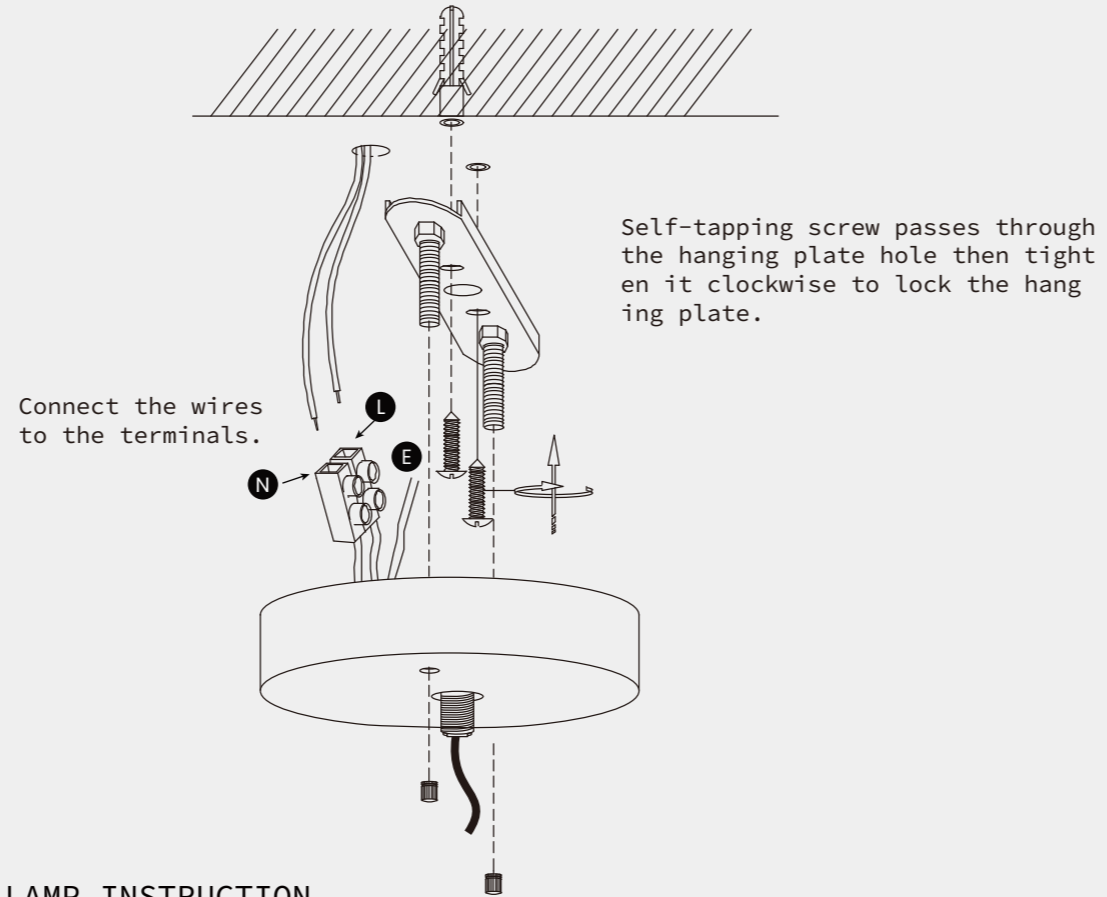


Bubble Creamy Persimmon
Glass Chandelier

PL0593

1

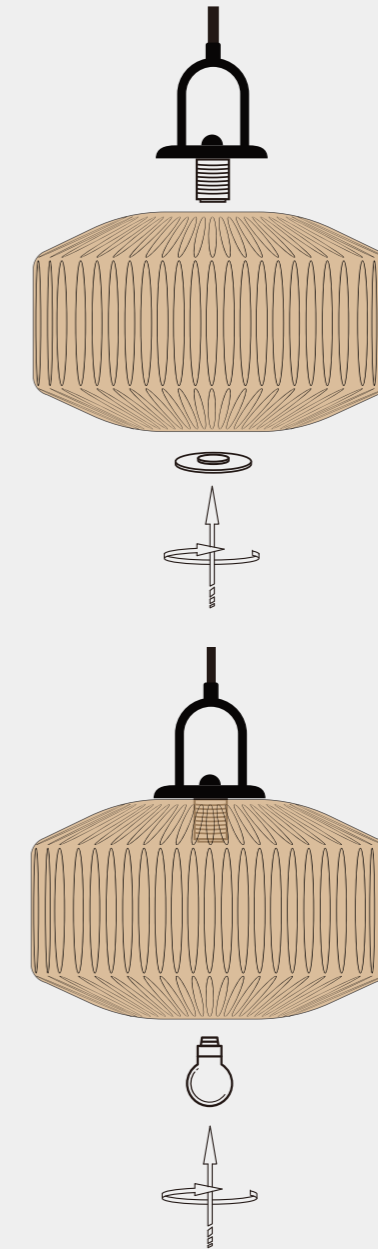


THE LAMP INSTRUCTION



Nbjoufobodf	Qsfdvujpot
2/Wpmubhf;221.351W	Lffq!uif!mjhiujoh!bxbz!gspn!bdjemd!difnjdbm!tpmwfout! up!bwpjelebnbhf/
3/Qmfbtf!xfbs!hmpwft!xifo!jotubmm/	Ujq
4/Epo(u!jotubmm!ju!po!uif!npjtu!dfjmjoh/	Qmfbtf!gpmmpx!uif!jotusvdujpot!uifo!jotubmm!uif!qbsut!jo uif!dpssfdu!psefs/
5/Uvso!pgg!uif!qpxfs!cfgpsf!dmfbojoh!pvu/	
6/Qmfbtf!xbti!xjui!uif!tbojuj!fs!xjuipvu!dpssptjwjuj/	

2



1
Fix the lampshade with the locking plate.

2
Insert the bulb.