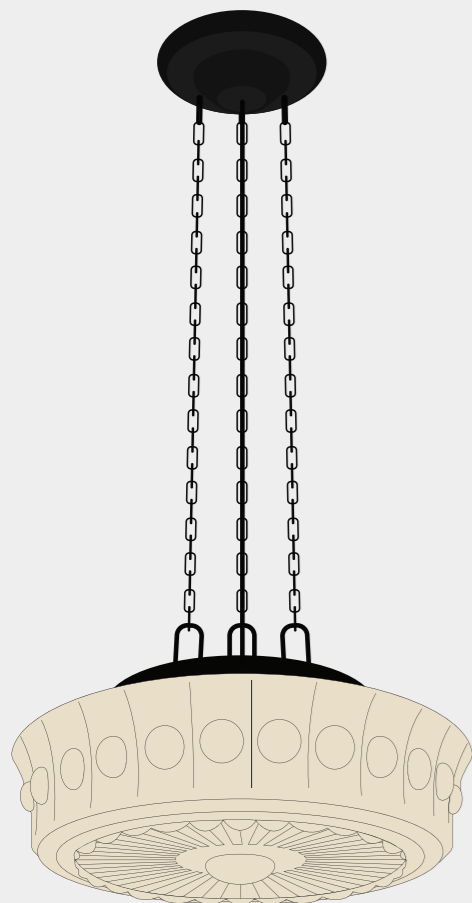


Installation Instructions

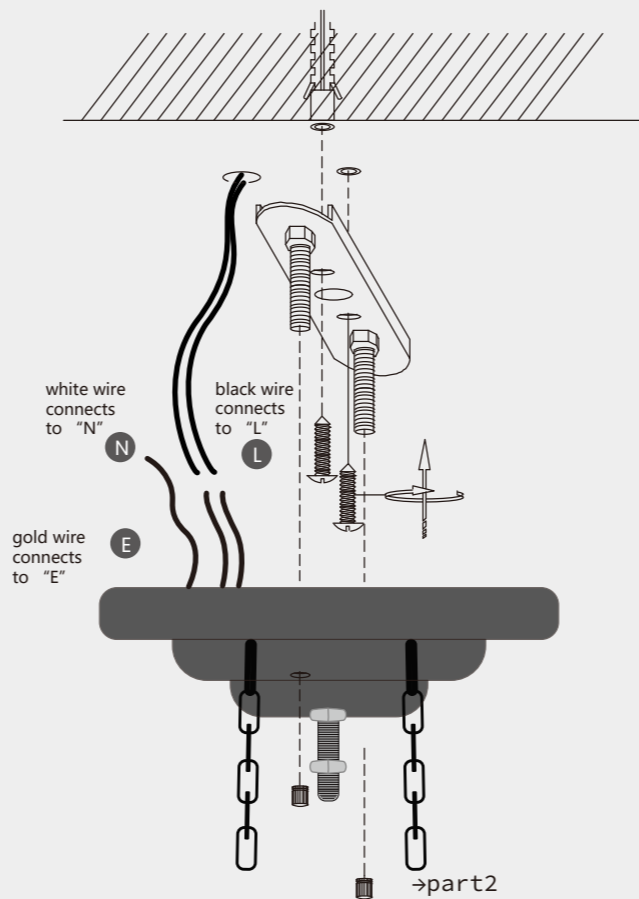
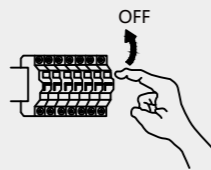


Art Vintage
Dome Ceiling Light

PL0501

1

1 Cut off the power system in your home to keep safe.



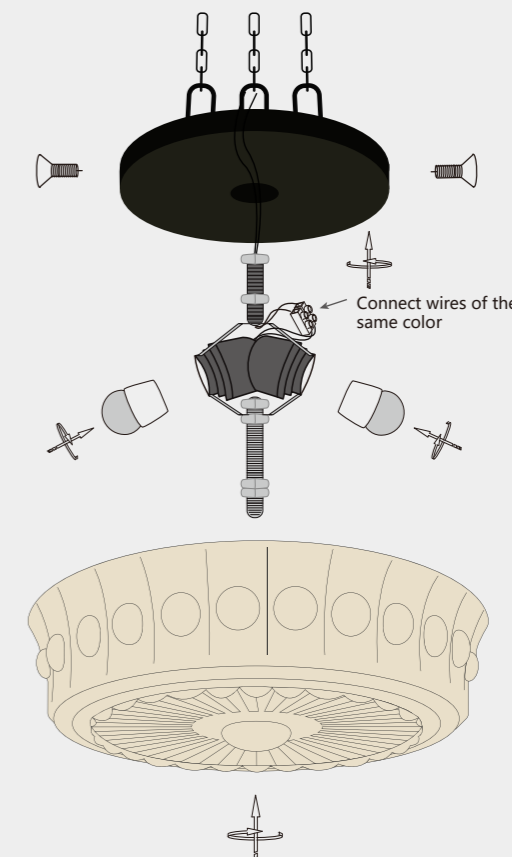
THE LAMP INSTRUCTION



Nbjoufobodf	Qsfdbvujpot
2/Wpmubhf;221.351W	Lffq!uif!mjhiujoh!bxbz!gspn!bdjemd!difnjdbm!tpmwfout! up!bwpje!ebnbhf/
3/Qmfbt!xfbs!hmpwft!xifo!jotubmm/	Ujq
4/Epo(u!jotubmm!ju!po!uif!npjtu!dfjmjoh/	Qmfbt!gpmmpx!uif!jotusvdujpot!uifo!jotubmm!uif!qbsut!jo uif!dpssdu!psefs/
5/Uvso!pgg!uif!qpxfs!cfgpsf!dmfbojoh!pvu/	
6/Qmfbt!xbti!xjui!uif!tbojuj!fs!xjuipvu!dpssptjwuz/	

2

Connect the wires of the LED bulb to the wires of the ceiling. Tighten the bulb. Fix the lampshade with the locking plate.



3

Turn on the power.

