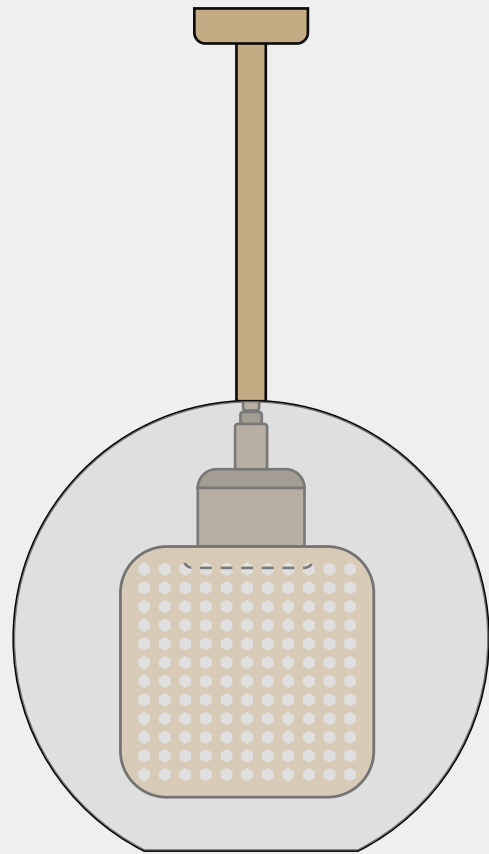
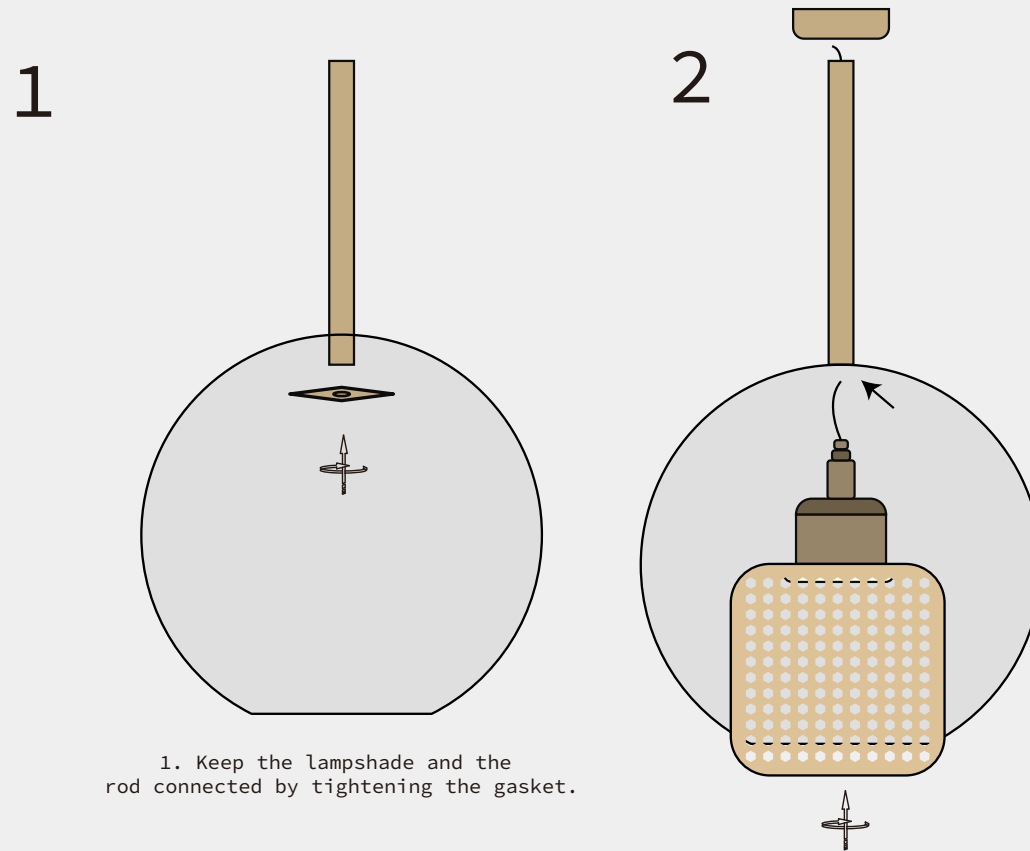


# Installation Instructions



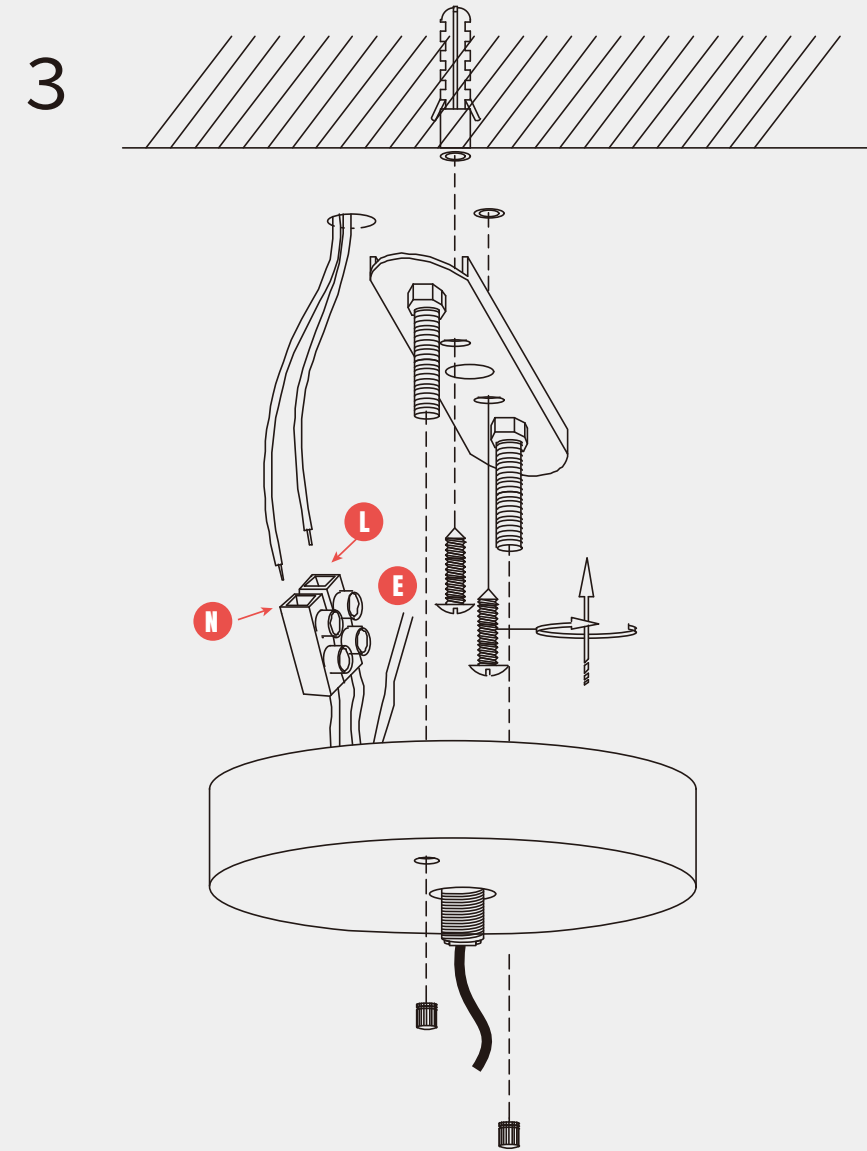
Modern Decor Chiswick  
Glass Pendant Light

PL0355



1. Keep the lampshade and the rod connected by tightening the gasket.

2. The wire passes through the rod and then connected to the wire comes down from the ceiling plate.



Maintenance	Precautions
1.Voltage:110-240V	Keep the lighting away from acidic chemical solvents to avoid damage.
2.Please wear gloves when install.	
3.Don't install it on the moist ceiling.	<b>Tip</b>
4.Turn off the power before cleaning out.	Please follow the instructions then install the parts in the correct order.
5.Please wash with the sanitizer without corrosivity.	