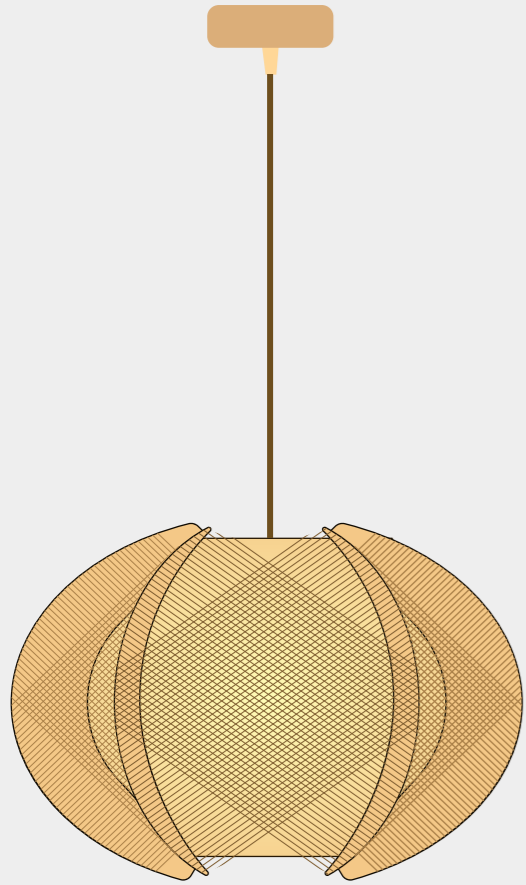
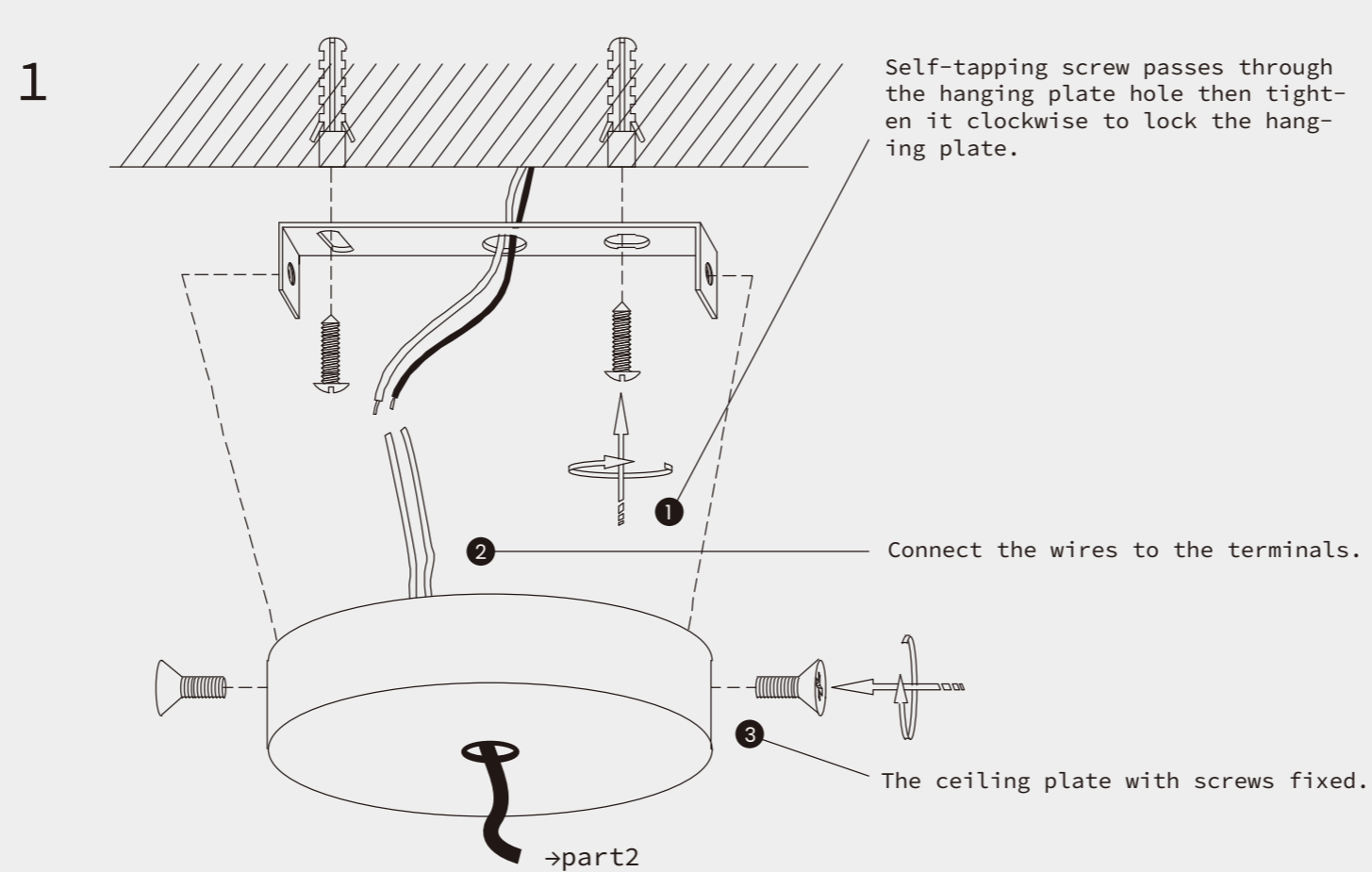


Installation Instructions



Mid-Century Scandinavian
Wood Pendant Lights

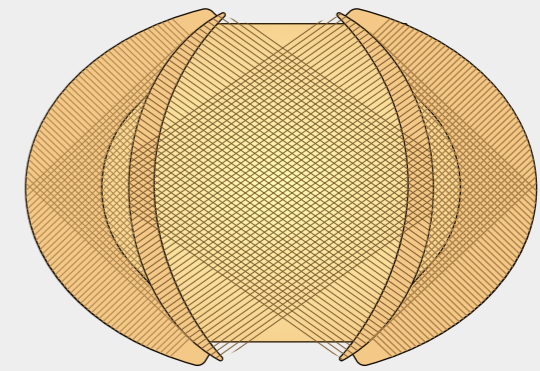
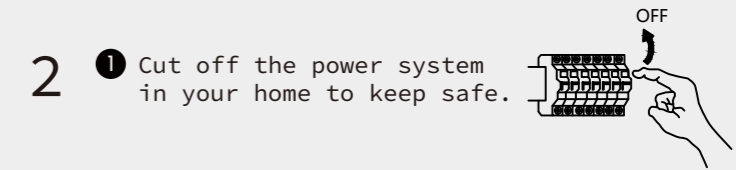
PL0156



THE LAMP INSTRUCTION



| | |
|---|---|
| Nbjoufobodf | Qsfdbvujpot |
| 2/Wpmubhf;221.351W | Lffq!uif!mjhiujoh!bxbz!gspn!bdjemd!difnjdbm!tpmwfout! up!bwpje!ebnbhf/ |
| 3/Qmfbtf!xfbs!hmpwft!xifo!jotubmm/ | Ujq |
| 4/Epo(u!jotubmm!ju!po!uif!npjitu!dfjmjoh/ | Qmfbtf!gpmmpx!uif!jotusvdujpot!uifo!jotubmm!uif!qbsut!jo uif!dpssdu!psefs/ |
| 5/Uvso!pgg!uif!qpxfs!cfgpsf!dmfbojoh!pvu/ | |
| 6/Qmfbtf!xbti!xjui!uif!tbojuj!fs!xjuipvu!dpssptjwjuz/ | |



Tighen the bulb

