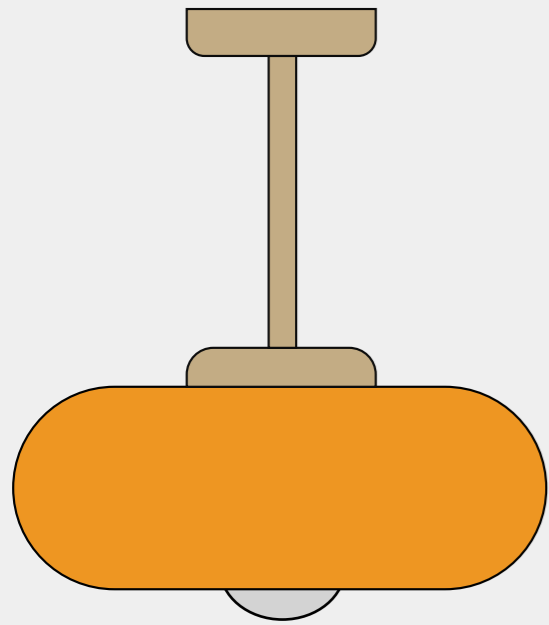
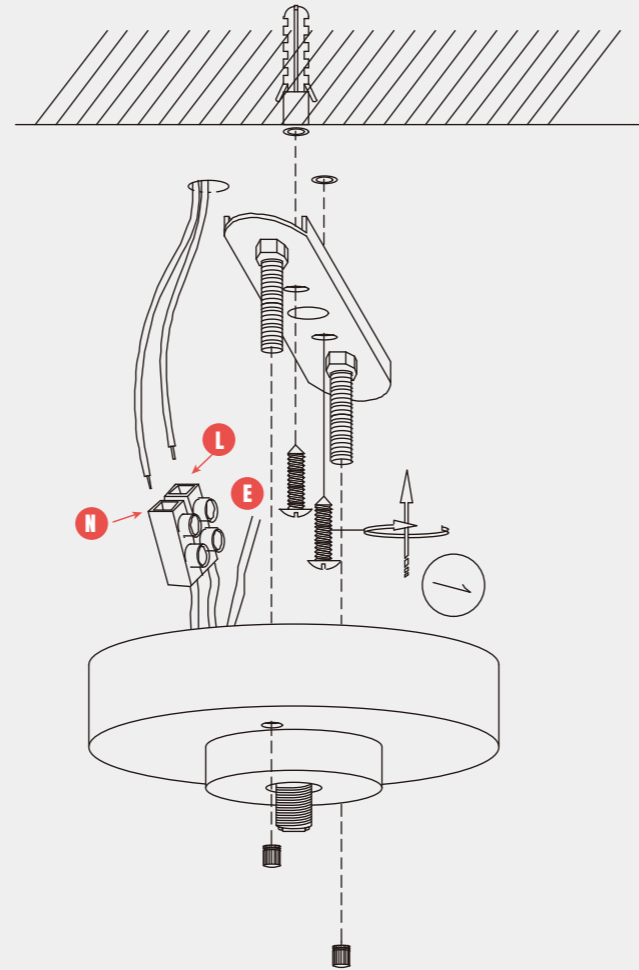


Installation Instructions

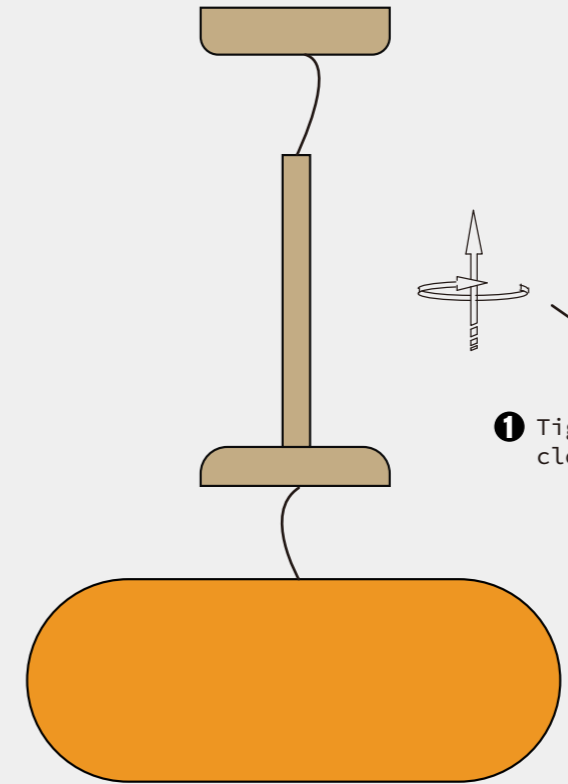


Retro Amber Round Glass Ceiling Light

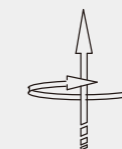
CL0057



Maintenance	Precautions
1.Voltage:110-240V	Keep the lighting away from acidic chemical solvents to avoid damage.
2.Please wear gloves when install.	
3.Don't install it on the moist ceiling.	Tip
4.Turn off the power before cleaning out.	Please follow the instructions then install the parts in the correct order.
5.Please wash with the sanitizer without corrosivity.	



1 Tighten the parts upward and clockwise according to the icon prompts.



2 Tighten the bulb.