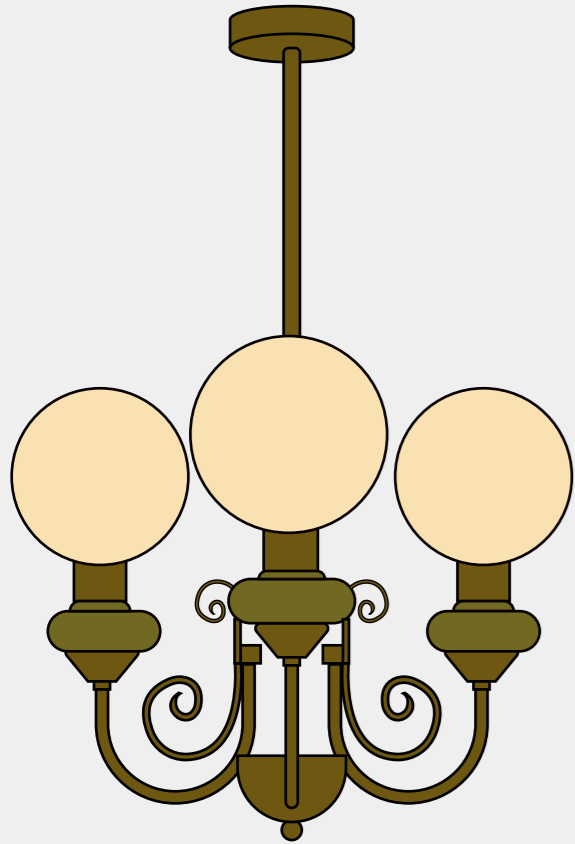
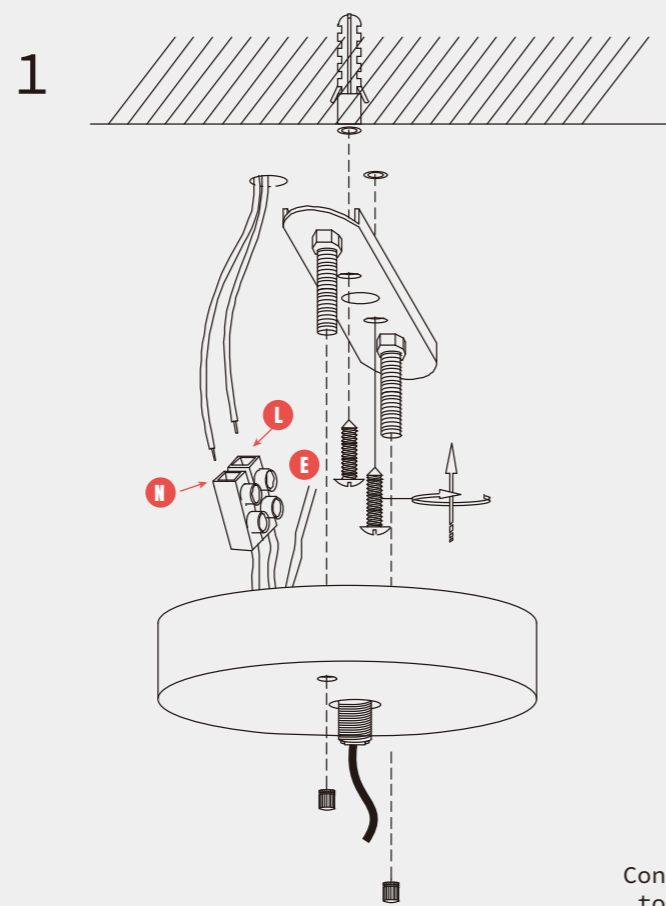


# Installation Instructions



Modern Creative Art  
Onyx Chandelier

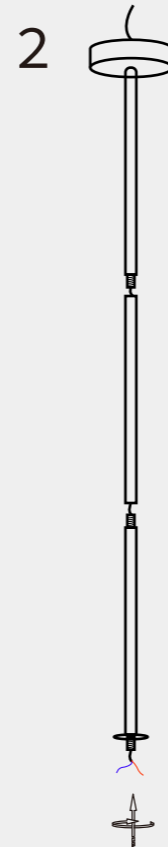
CD0033



## THE LAMP INSTRUCTION



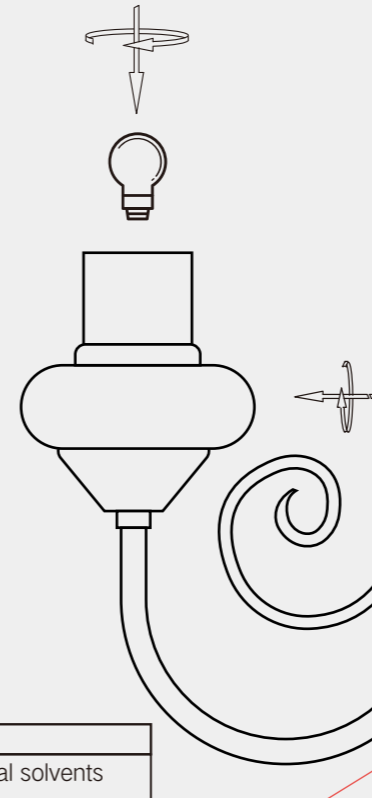
Maintenance	Precautions
1.Voltage:110-240V	Keep the lighting away from acidic chemical solvents to avoid damage.
2.Please wear gloves when install.	
3.Don't install it on the moist ceiling.	<b>Tip</b> Please follow the instructions then install the parts in the correct order.
4.Turn off the power before cleaning out.	
5.Please wash with the sanitizer without corrosivity.	



5 The finished long rod passes through the central part then fixed it with locking plate and little locking ball.

Connect these rods according to the length you need.

3 Tighten the bulb.



1 The gasket passes through the wires to the end then with a screw fixed.

3

2 Blue Wires are twisted together to form the final 1 blue wire. Red as well. The final blue wire connects to "N". The final red wire connects to "L".

4 Install lampshade.

