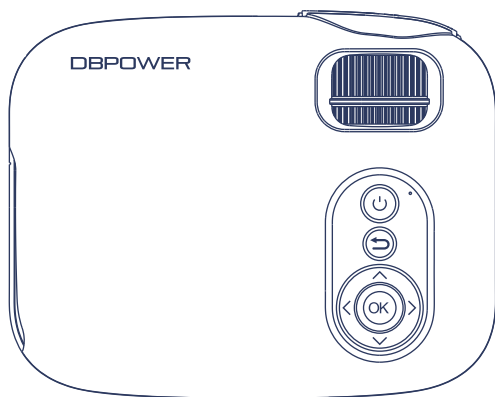


# DBPOWER

## RD-823 MINI LCD VIDEO PROJECTOR

### USER MANUAL



**Power Your Life**

## **FCC STATEMENT**

This device complies with part 15 of the FCC rules. Operation is subject to the following two conditions:

(1) this device may not cause harmful interference, and (2) this device must accept any interference received, including interference that may cause undesired operation.

Changes or modifications not expressly approved by the party responsible for compliance could void the user's authority to operate the equipment.

NOTE: This equipment has been tested and found to comply with the limits for a Class B digital device, pursuant to part 15 of the FCC Rules. These limits are designed to provide reasonable protection against harmful interference in a residential installation. This equipment generates uses and can radiate radio frequency energy and, if not installed and used in accordance with the instructions, may cause harmful interference to radio communications. However, there is no guarantee that interference will not occur in a particular installation. If this equipment does cause harmful interference to radio or television reception, which can be determined by turning the equipment off and on, the user is encouraged to try to correct the interference by one or more of the following measures:

- Reorient or relocate the receiving antenna.
  - Reorient or relocate the receiving antenna.
  - Reorient or relocate the receiving antenna.
  - Consult the dealer or an experienced radio/TV technician for help
- important announcement Important .

## **RADIATION EXPOSURE STATEMENT**

This equipment complies with FCC radiation exposure limits set forth for an uncontrolled environment. This equipment should be installed and operated with minimum distance 20cm between the radiator and your body.

This transmitter must not be co-located or operating in conjunction with any other antenna or transmitter.

# CONTENTS

Notice.....	01
Accessory List .....	01
Safety Notice .....	02
Projector Overview .....	03
Remote Control .....	05
User Manual .....	06
Display Solutions .....	09
Connections .....	11
Menu Settings .....	16
Screen Mirroring .....	19
Android Screen.....	20
iOS Screen.....	22
Syncscreen Setting.....	24
WIFI Connection .....	25
More Setting .....	26
Projector Installation .....	27
Technology Features.....	28

## **NOTICE**

1. Not recommended for PPTs, Word, Excel, or business presentations.
2. To connect the DBPOWER mini projector with a tablet or smartphone, please use Wi-Fi screen mirroring feature or use external HDMI adaptor. For HDMI adaptor connection, Android phones need to support MHL and an MHL to HDMI cable is required, iPhone & iPad need a Lightning to HDMI cable adaptor.
3. To connect the mini projector to PCs or laptops, please adjust the PC/laptop display resolution to 1280\*720 for best clarity.
4. Please note that it is only suitable for use in dark rooms.
5. Dolby is not supported. Please turn off Dolby digital in your device.

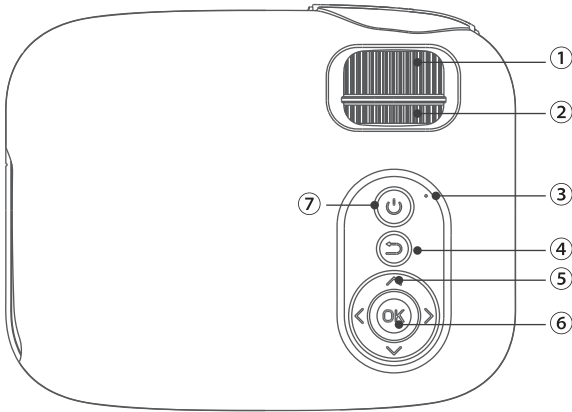
## **ACCESSORY LIST**

- 1 x AV signal cable
- 1 x Remote control (battery not included)
- 1 x HDMI cable
- 1 x Power Cable
- 1 x User manual
- 1 x Warranty card

## **SAFETY NOTICE**

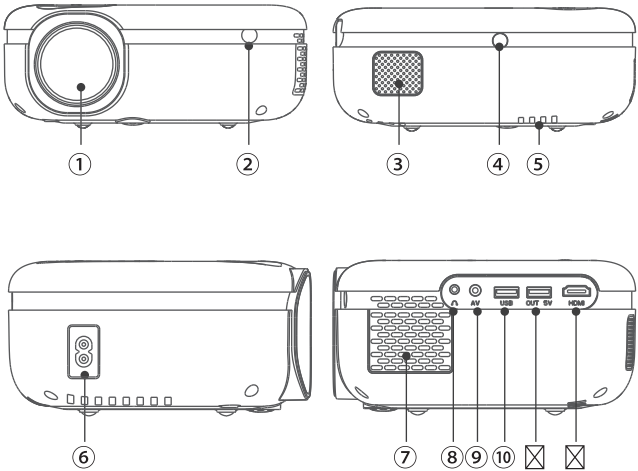
1. Please read the user manual carefully before using the projector.
2. Please use standard power cord with ground wire, to ensure stable power supply.
3. Please use the same power voltage as marked on the projector.
4. Please do not disassemble the projector by yourself, otherwise the warranty will be void.
5. Please do not look into the lens when the projector is working, otherwise it may hurt your eyes.
6. Please do not cover the projector ventilation holes with any material.
7. Please keep the projector away from water or any other liquid as it is not waterproof.
8. Please don't put the projector in wet or moist conditions to prevent electric shock.
9. Please turn off and unplug from the power supply if not using the projector for a long time.
10. Please use the original packing foam or other anti-shock material when relocating the projector.
11. Please contact MOOKA customer support if you encounter any problem with the projector.
12. This mini projector comes with a full 12-month warranty.
13. Please contact us if you want to know more information about the warranty. (Warranty service does not include the frame, manual, packing and subjective ideas about the video, sound or image aspects)

# PROJECTOR OVERVIEW



1. Focusing
2. Keystone Correction
3. Power Indicator:  
Standby: red  
Power On: blue
4. Return
5. Arrow Keys
6. OK Key
7. Power Key

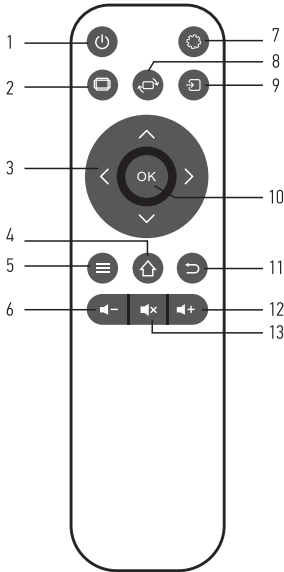
## PROJECTOR OVERVIEW



1. Lens
2. IR for Remote Control
3. Speaker
4. IR for Remote Control
5. Air Intake
6. Power Input
7. Cooling Window

8. Headphone Jack
9. AV Port
10. USB Port
11. OUT 5V Port/  
Wired SyncScreen Port
12. HDMI Port

## REMOTE CONTROL



1. Power
2. Aspect ratio
3. Arrow keys
4. Home
5. Menu
6. Volume Down
7. Menu
8. Screen flip
9. Source
10. Enter
11. Return
12. Volume Up
13. Mute

### Caution

Do not submerge the remote control in water.

Do not put the remote control near fire or in wet/hot places.

Do not use old and new batteries together in the remote control.

Please take the batteries out if not using the remote control for a long time to avoid battery leakage.

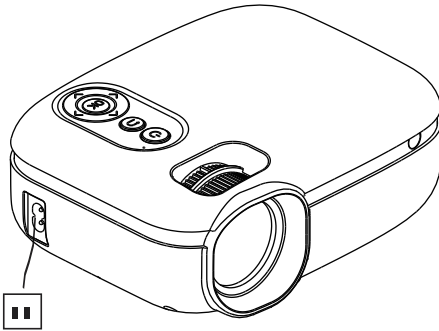
Please point the remote control at the IR receiver.



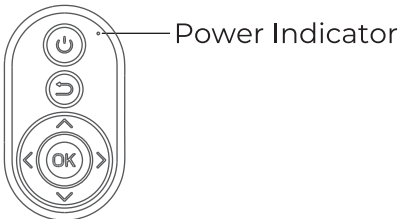
## USER MANUAL

### 4.1 Connecting the projector to power

4.1.1 Connect the power cable to the projector.

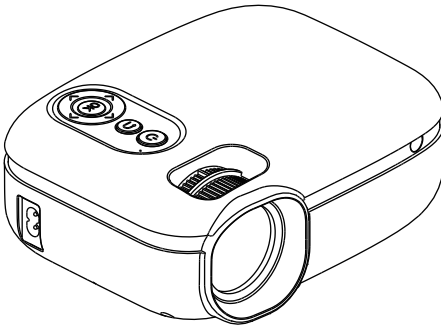


4.1.2 The projector will display an indicator light when connected to power.

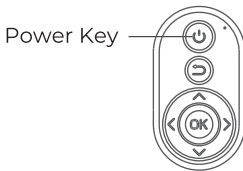


## 4.2 Power ON/OFF

Press the "⏻" button on the projector or on the remote control to power on.



Projector



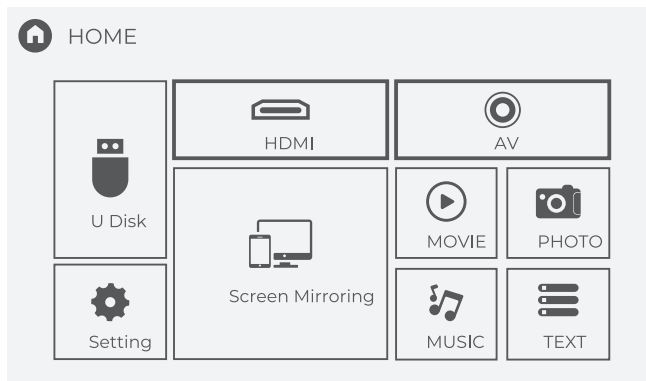
Power Key



Remote Control

## 4.3 Multimedia boot screen

After 5-10 seconds, the multimedia screen will be displayed.



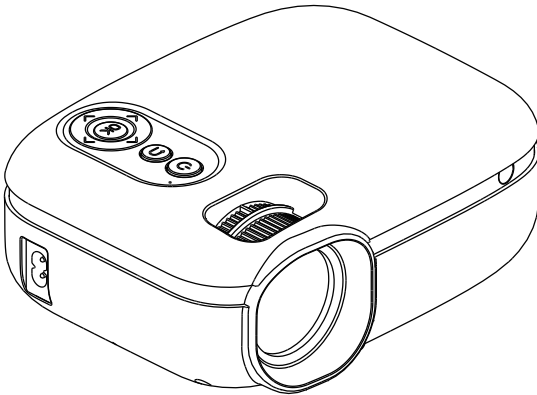
## DISPLAY SOLUTION

### 4.4 Focus & keystone correction

#### 4.4.1 Image focusing

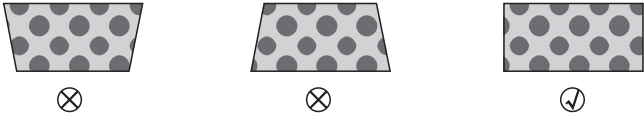
Make sure the projector is horizontal to the projector screen and adjust the focus by turning the focus ring.

You can display video or the menu to check adjustment.



## 4.4.2 Keystone correction

The projector uses an optical keystone correction function, so the image can be adjusted as below:

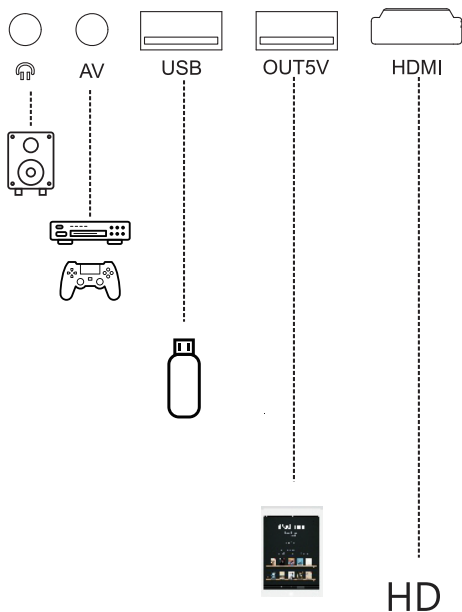


However, this projector does not have a horizontal keystone correction function. The projector must be placed horizontally to the projection screen. If you encounter this problem, it is probably because the projector has not been placed horizontally to the projection screen, or the projection screen is not vertically positioned.

Solution: Adjust the projector's position so that it is horizontal to the screen.

# CONNECTIONS

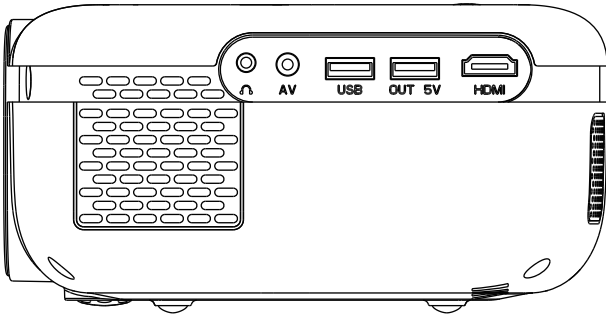
## 5.1 Connections



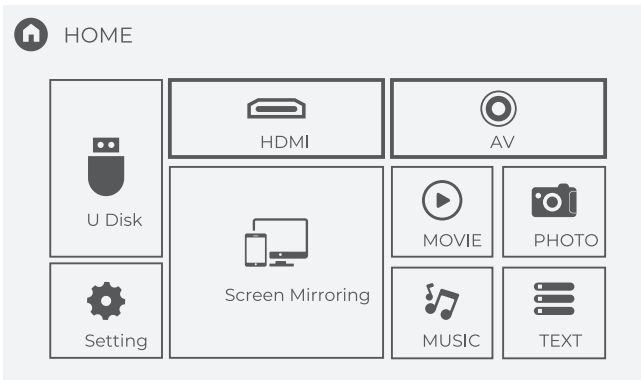
Connect multiple devices and applications.

## 5.2 Playing media from a USB flash

### 5.2.1 Insert the USB flash into the USB slot.



### 5.2.2 Choose U Disk from the HOME screen

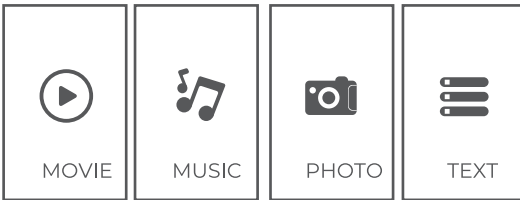


## Supported multimedia formats

Multimedia	Audio file	MP3 / AAC / WAV / FLAC / WMA / M4A
	Picture file	JPG / PNG / BMP / JPEG
	Video file	MP4 / MKV / MOV / WMV / RMVB / RM / AVI / FLV / TRP / VOB / 3GP / DIVX / TP / TS / MPG / M2TS / F4V / DAT
	Text file	TXT

## 5.2.3 Choose the content which you need to display:

Video/music/photos/text.

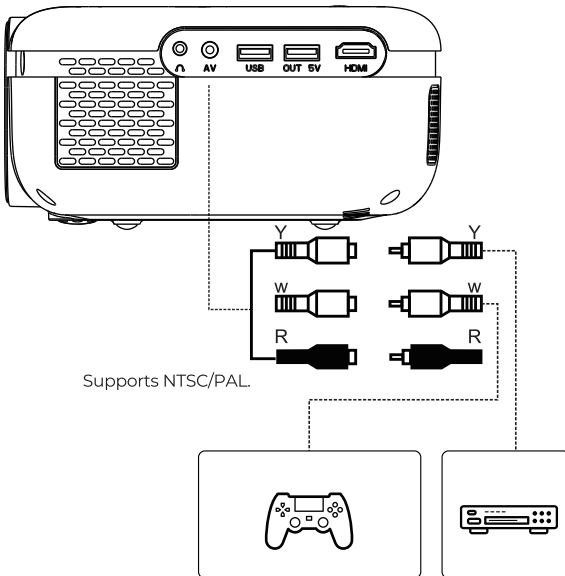
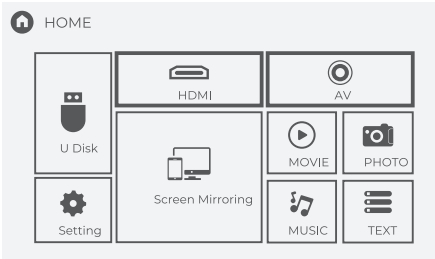


## 5.2.4 Choose the file you want to display. Press " OK " to display .



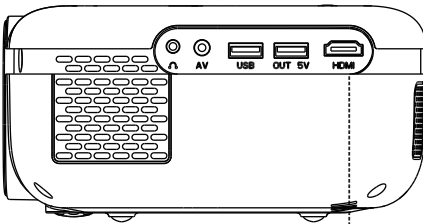
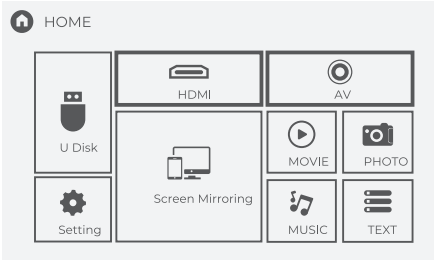
## 5.3 AV video connection

Use a 3-in-1 AV cable to connect to the projector as shown below. Once connected, select the AV signal source.



## 5.4 HDMI connection

5.4.1 Use the HDMI slot to connect computers and HDMI compatible devices. Once connected, select the HDMI signal source.

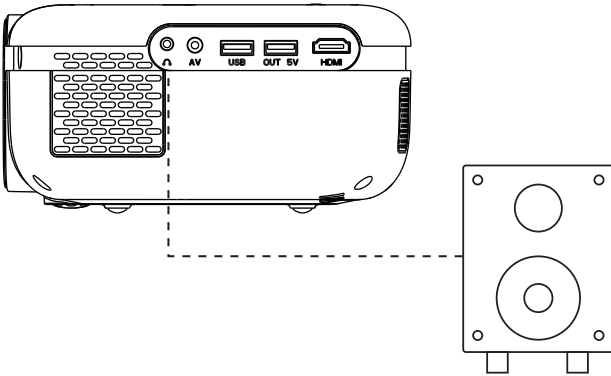


Video Format Resolution:  
576P, 480P, 720P, 1080P

## 5.5 3.5mm audio connection

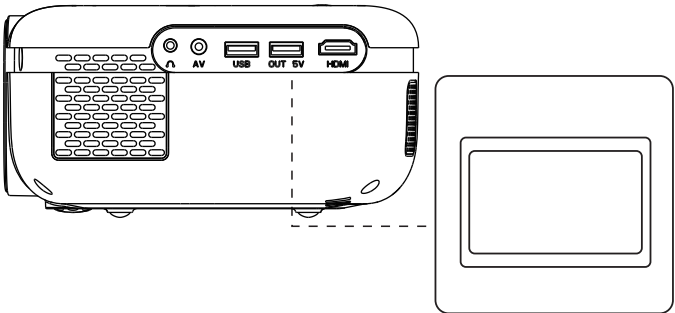
5.5.1 Use the 3.5mm audio jack to connect headphones and speaker equipment.

Note: This projector does not support Dolby sound.



## 5.6 Other connection

USB output 5V for mobile table power supply.



## MENU SETTINGS

### 6.1 Setting

Press the " Menu " key or select " Setting " on HOME screen to enter the main menu, then press " ◀▶ " to enter each sub-menu.

Press " ▼/▲ " to select the sub-menu, then adjust the parameters per your needs, and press the "OK" key to confirm.

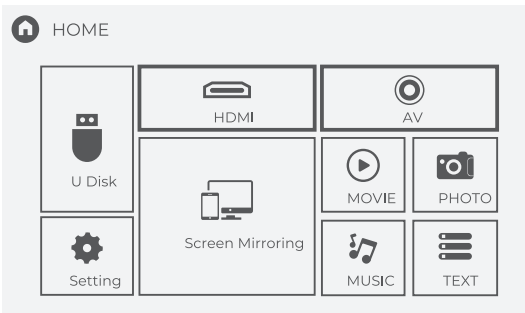
### 6.2 Sub-menu functions

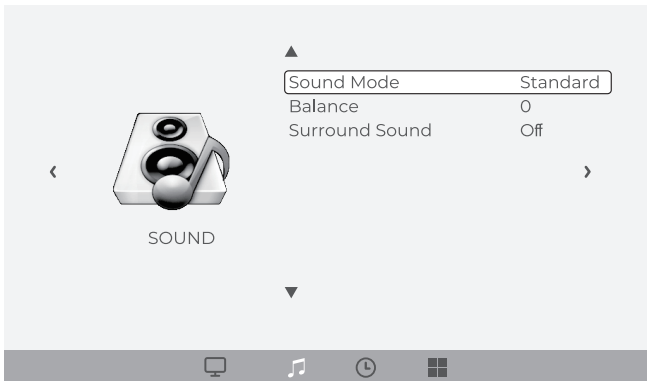
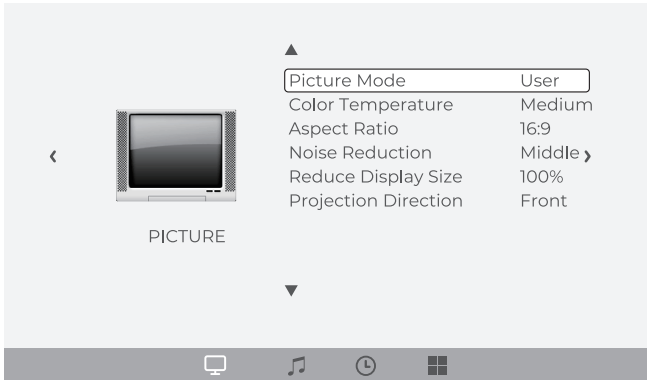
**6.2.1 PICTURE:** Picture Mode , Color Temperature , Aspect Ratio , Noise Reduction, Reduce Display Size , Projection Direction.

**6.2.2 SOUND:** Sound Mode , Balance , Surround Sound.

**6.2.3 TIME:** Sleep Timer.

**6.2.4 OPTION:** OSD Language , Restore Factory Default , Color Range , Software Update(USB).





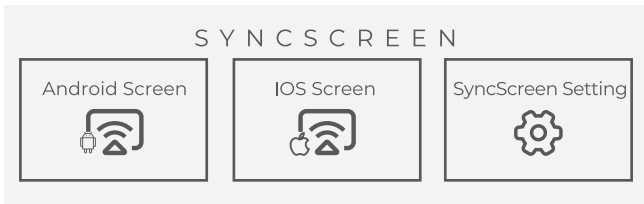
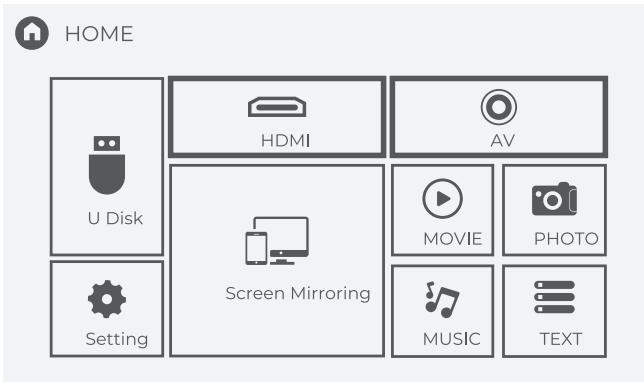
## SCREEN MIRRORING

**Step 1:** Select Screen Mirroring in the HOME screen.

**Step 2:** Press the OK key to enter the interface.

**Step 3:** After entering into the interface, select the function you need.

Note: To return to HOME screen from Screen Mirroring interface, press the “Home” key on remote control.



## 7.1 Android Screen

**Android Screen has two connection methods:**

### 7.1.1 Method 1: Wireless Connection (Recommended)


**Step 1:** Select Android Screen in the Syncscreen interface

**Step 2:** Turn on the WLAN of Android device

**Step 3:** Choose the screen mirroring function on the Android device, search for the device name of the projector and click to connect, and wait a few seconds, then the mirroring will be successful.

**Note:** Different Android device have different positions and names for the screen mirroring function, please refer to the manual of the Android device.

**Android Screen**



Android

SSID:DBPOWER\_0B1F  
Waiting for connection...

- 1: On your Android device, turn on WLAN
- 2: Launch the Screen Mirroring or Multi-screen or Smart View function
- 3: Select DBPOWER\_0B1F



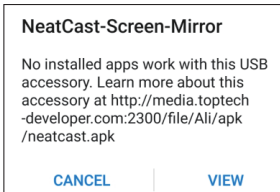
Some Android devices may not support screen mirroring due to the compatibility.

## 7.1.2 Method 2: Wired Connection

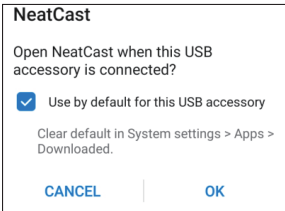
**Step 1:** Select Android Screen in the Syncscreen interface

**Step 2:** Connect your Android device to the projector OUT5V port with ORIGINAL USB cable

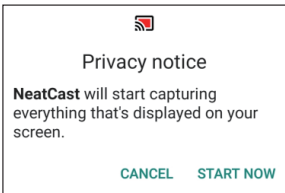
**Step 3:** For the first time, your Android device will pop up below "NeatCast-Screen-Mirror" window, select "VIEW" to download and install the "NeatCast" APP



**Step 4:** Your Android device will pop up below "NeatCast" window, select "OK"



**Step 5:** When your Android device pop up the "Privacy notice" window, select "START NOW" to start the screen mirroring.



⚠ Some Android devices may only transfer the display without audio due to the protocol restrictions.



## 7.2 IOS SCREEN

iOS Screen has three connection methods:

### 7.2.1 Method 1: Wireless connection with Wi-Fi router (Recommended)

**Step 1:** Connect your projector to a Wi-Fi router (Refer to Wi-Fi connection method on page 25)

**Step 2:** Connect your iOS device to the same Wi-Fi router.

**Step 3:** Turn on Screen Mirroring on your iOS device, select the device name of the projector.

### iOS Screen

iOS



NETGEAR-0045

SSID:DBPOWER\_0B1F

password: 12345678

Waiting for connection...

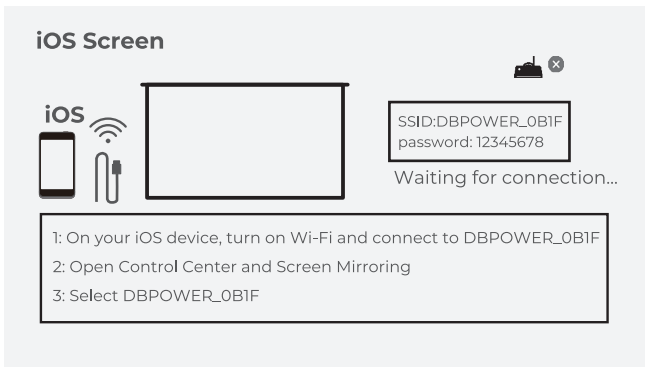
- 1: On your iOS device, turn on Wi-Fi and connect to NETGEAR-0045
- 2: Open Control Center and Screen Mirroring.
- 3: Select DBPOWER\_0B1F

## 7.2.2 Method 2: Wireless connection without Wi-Fi router

**Step 1:** Projector doesn't need to connect Wi-Fi router.

**Step 2:** Turn on Wi-Fi on your iOS device and search for the network name of the projector, for example: DBPOWER\_0B1F, select it and enter the password "12345678", then your iOS device will connect to the projector.

**Step 3:** Turn on Screen Mirroring on your iOS device, select the device name of the projector.



## 7.2.3 Method 3: Wired connection

Enter iOS Screen, connect your iOS device to the projector OUT5V port with ORIGINAL USB cable . Your iOS device will receive a trust prompt, confirm "trust", then the screen mirroring will start .

**Note:** If your iOS device doesn't receive a trust prompt after connect to the projector, please use the original iOS device cable to try again.

## SYNCScreen SETTING

**Step 1:** Select SyncScreen Setting from syncscreen.

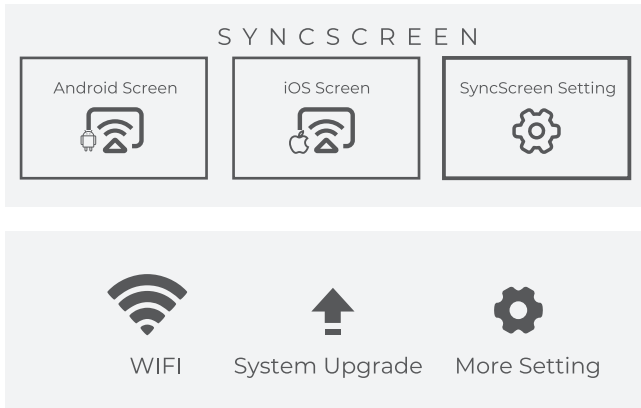
**Step 2:** Choose the setting you want.

**The settings include three functions:** WIFI / System Upgrade / More Setting.

**WIFI:** Search and Connect WiFi.

**System Upgrade:** OTA upgrade / USB upgrade.

**More Setting:** System Reset / Mirror Mode / Airplay Mode / Language.



## WIFI CONNECTION

**Step 1:** Select WIFI and press the OK key to enter the next interface.

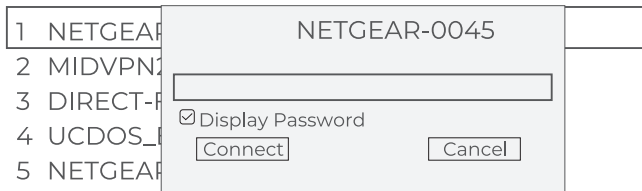
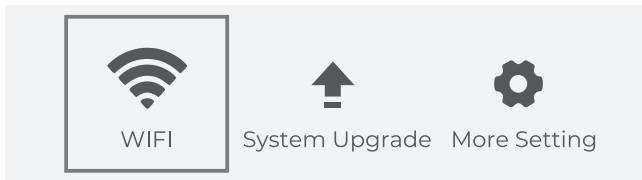
**Step 2:** Select the Wi-Fi that you want to connect from the Wi-Fi list.

**Step 3:** Enter the correct password through the virtual keyboard. Select the Wi-Fi that has been connected, press the OK key, and three options will pop up:

**Disconnect:** Disconnect the Wi-Fi connection this time, but it will be automatically connected after restarting.

**Forget:** Forget the password. After restarting, it will not automatically connect. The password must be entered again for re-connection.

**Cancel:** Exit the menu.



## MORE SETTING

**Step 1:** Select More Setting, press OK key to enter the interface.

**Step 2:** Choose the setting you want.

### System Reset:

Click **Yes** is to confirm the restoration, **No** is to exit the selection.

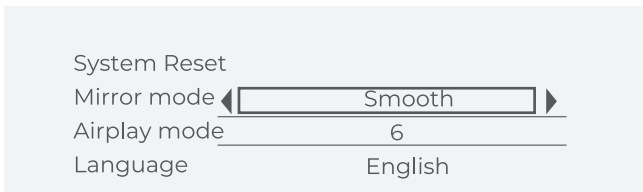
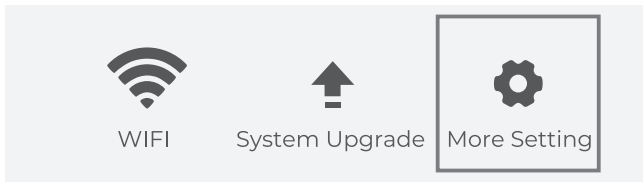
**Mirror Mode:** Smooth / Standard / Quick.

**1)Smooth Mode:** Requires higher network to optimize the effect of playing video, and caches the video to ensure smooth pictures during playback.

**2)Standard Mode:** Reduces the cache and delay of the mirroring.

**3)Quick Mode:** No video caching function. When the network environment is poor, the clarity of the mirroring will be lower to ensure smooth playback and reduce delay.

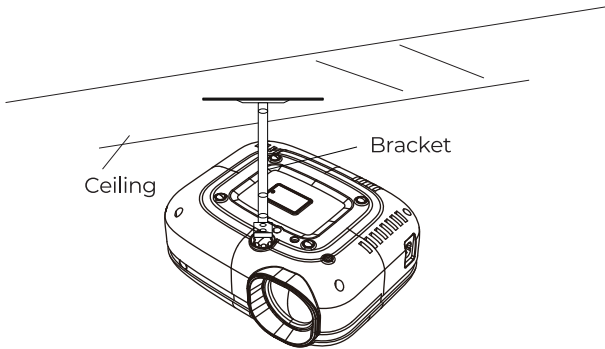
**Airplay Mode:** Can set the channels for 1, 6 and 11 routers. When the network is poor, you can set other channels to avoid the jam and delay.



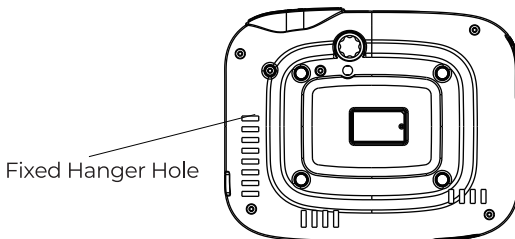
## PROJECTOR INSTALLATION

7.1 Please refer to the following diagram for mounting the projector on a ceiling.

Do not place the projector near heat sources to prevent the projector from overheating.



When ceiling mounting the projector, please ensure screws of a suitable quality are used, and that screw depth is deep enough to prevent the projector from falling.

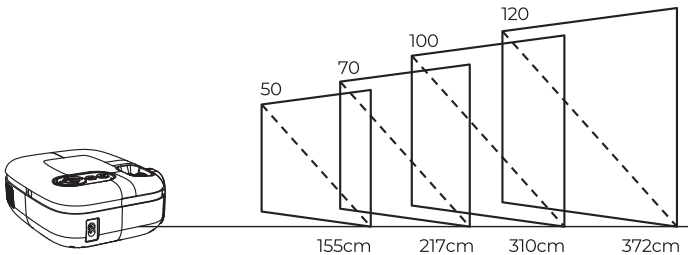


## TECHNOLOGY FEATURES

### 8.1 Basic parameters

Imaging Technology	LCD	Projection Color Number	16.7M color by 8 bit R.G.B signal input
Resolution	1280x720 RGB	Keystone	Manual Correction $\pm 15$
Highest Resolution	1920*1080	Power Voltage	100V-240V 50/60Hz
Light	LED	Integrated watt	50W
Life Span	50,000 hrs	Input	USB/HDMI/AV
Lens	Multichip Coated	Output	Earphone*1/OUT 5V(5V-1.5A)
Operation Mode	Lens (F=125) Manual Operation	Speaker	3W*1
		System support	Support multi-media
		Language support	Support 23 Language
Throw Distance	1.5-3.7M	Unit size	210*167*84mm
Screen Size	50-120 Inches	Projector Ratio	1.4:1
Aspect Ratio	4:3/16:9	New Weight	1.05KG

### 8.2 Projection distance and screen size



For reference only. The projection distance and screen size differ based on the configuration of the projector.

# DBPOWER


---

FCC ID: 2AK43RD-828


Made in China



 [m.me/DbpowerOnline](https://m.me/DbpowerOnline)

 1-855-888-5533

 [support@dbpowershop.com](mailto:support@dbpowershop.com)

 [www.dbpowershop.com](http://www.dbpowershop.com)