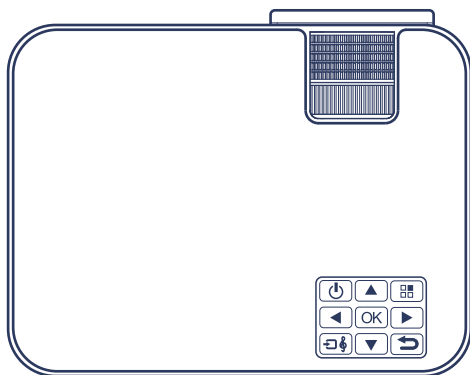


DBPOWER

MINI LCD VIDEO PROJECTOR L21

USER MANUAL



Power Your Life

ACTIVATE YOUR 12-MONTH WARRANTY & GET AN EXCLUSIVE GIFT

Register within 7 days after receiving your new product.

PLEASE VISIT US NOW

→ www.dbpower.co/warranty

CUSTOMER SERVICE

✉ support@dbpower.co 🌐 www.dbpower.co



NOTE

1. Only suitable for home entertainment in a dark environment. NOT for presentation purposes.
2. Dolby audio is NOT supported.
3. DO NOT obstruct the air vents when using. UNPLUG & PREVENT DUST from entering when not in use.

A Big Thank You

We're thrilled that you have chosen to purchase the Mini LCD Video Projector. At DBPOWER, we're committed to providing you with products that enhance your daily life. We also aim to give our customers excellent support. Should you have any questions or feedback about your new product, simply get in touch with our customer support team at 1-855-666-9888, or by email at support@dbpower.co

Enjoy your new product!

CONTENTS

Notice	01
Accessory List	02
Safety Notice	03
Remote Control	05
User Manual	06
Optical adjustments	10
Menu Settings	17
Projector Installation	18
Technology Features	19

NOTICE

Not recommended for PPTs, Word, Excel, or business presentations.

To connect the DBPOWER mini projector with a tablet or smartphone, it is necessary to use a wireless HDMI adapter. For Android phones which support MHL, an MHL to HDMI cable is required and for iPhones & iPads, a Lightning to HDMI cable adapter is required.

To connect the mini video projector to PCs or laptops, please adjust the PC/laptop display resolution to 1280*720 for best clarity.

Please note that it is only suitable for use in dark rooms.

Dolby support not supported. Please turn off Dolby digital in your device.

ACCESSORY LIST

- 1 x AV signal cable
- 1 x Remote control (battery not included)
- 1 x HDMI cable
- 1 x Power Cable
- 1 x User manual
- 1 x Warranty card
- 1 x Operation guide
- 1 x Adjustable bracket

SAFETY NOTICE

Please read the user manual carefully before using the projector.

Please use a standard power cord with earthed plug to ensure stable power supply.

Please use the same power voltage as marked on the projector.

Please do not disassemble the projector by yourself; otherwise the warranty will be void.

Please do not look into the lens when the projector is operating, otherwise it may hurt your eyes.

Please do not cover the projector ventilation holes with any material.

Please keep the projector away from water or any other liquid as it is not waterproof.

Please don't put the projector in wet or moist conditions to prevent electric shock.

Please turn off and unplug from the power supply if not using the projector for a long time.

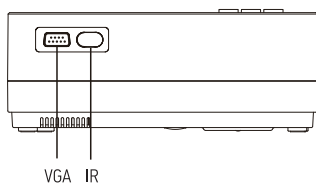
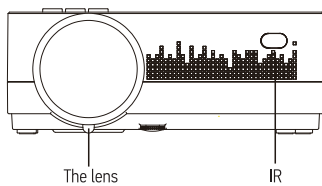
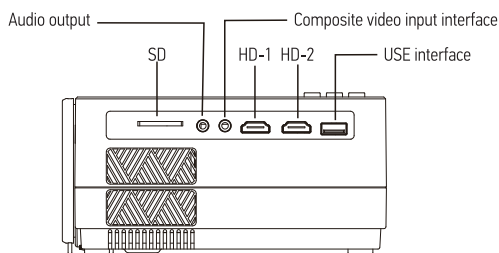
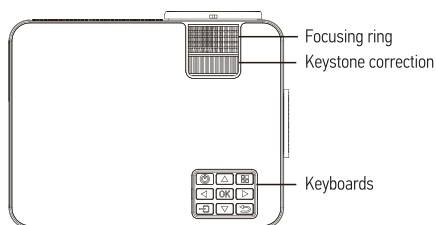
Please use the original packing foam or other anti-shock material when relocating the projector.

Please contact DBPOWER customer support if you encounter any problem with the projector.

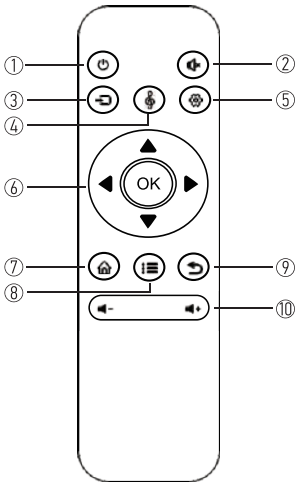
This mini projector comes with a full 24-month warranty.

Please contact us if you want to know more information about the warranty.

(Warranty service does not include the frame, manual, packing and subjective ideas about the video, sound or image aspects)



REMOTE CONTROL



1. Power On/Off
2. Mute
3. Source
4. SoundBar Function
5. Setup
6. Arrow Keys
7. Home
8. Menu
9. Exit
10. Volume Key

Caution

Do not submerge the remote control in water.

Do not put the remote control near fire or in wet/hot places.

Do not use old and new batteries together in the remote control.

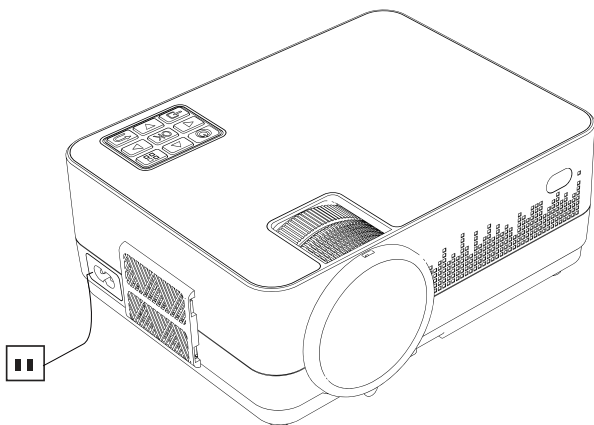
Please take the batteries out if not using the remote control for a long time to avoid battery leakage.

Please point the remote control at the IR receiver.

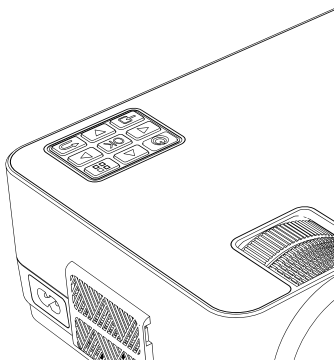
USER MANUAL

1. Connecting the projector to power

a. Connect the power cable to the projector.

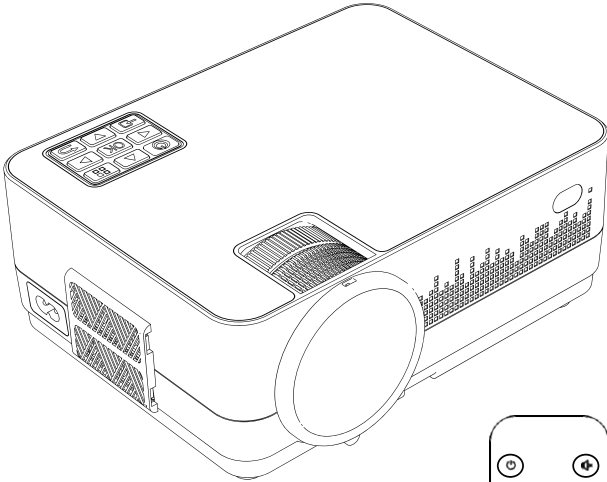


b. The projector will display an indicator light when connected to power.

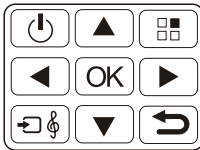


2. Power ON/OFF

Press the "⏻" button on the projector or on the remote control to power on.



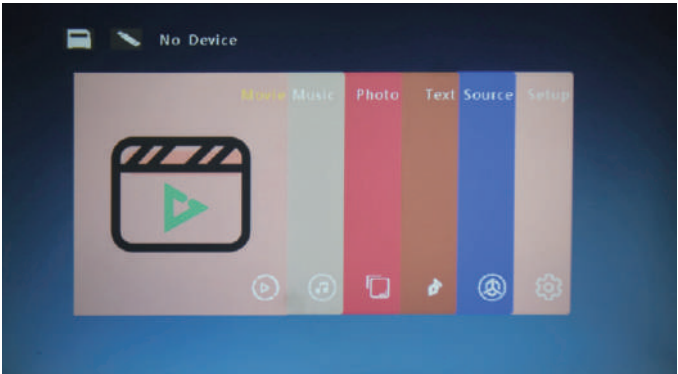
Projector



Remote Control

3.Multimedia boot screen

After 2-5 seconds, the multimedia screen will be displayed.



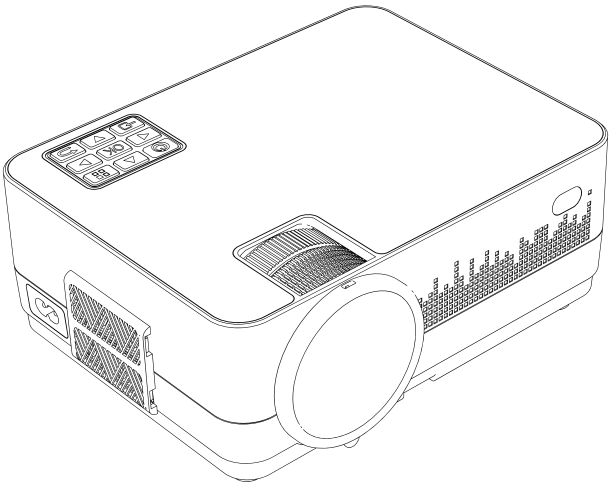
4. Focus & keystone correction

- a. If the image is displayed as a trapezoid shape, you can adjust it with the keystone correction function by pressing button 3. This should normalize the display image.

b. Image focusing

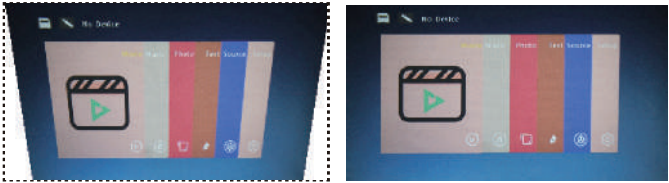
Make sure the projector is horizontal to the projector screen and adjust the focus by pressing button 2.

You can display video or the menu screen to check the adjustment.



OPTICAL ADJUSTMENTS

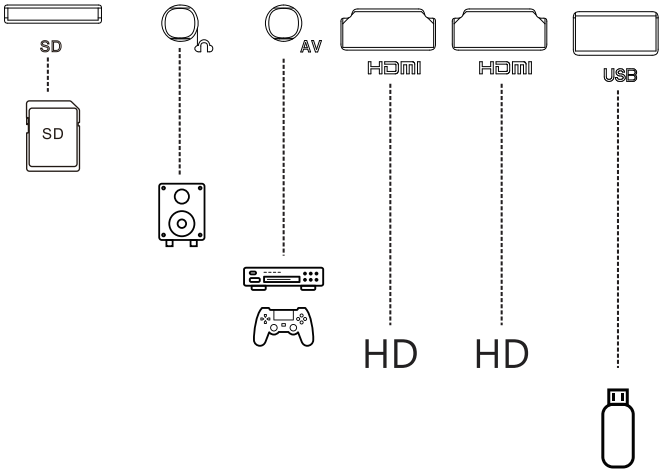
The projector uses an optical keystone correction function, so the image can be adjusted as below:



However, this projector does not have a horizontal keystone correction function. The projector must be placed horizontally to the projection screen. If you encounter the problem as shown above, it is probably because the projector has not been placed horizontally to the projection screen, or the projection screen is not vertically positioned.

Solution: Adjust the projector's position so that it is horizontal to the screen.

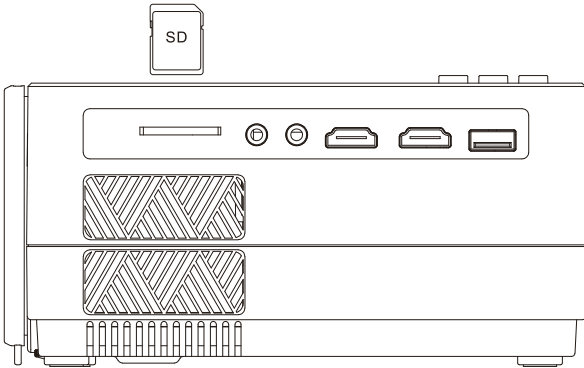
1. Connections



Connect multiple devices and applications.

2. Playing media from a USB/SD card

a. Insert the USB/TF card into the slot (picture).

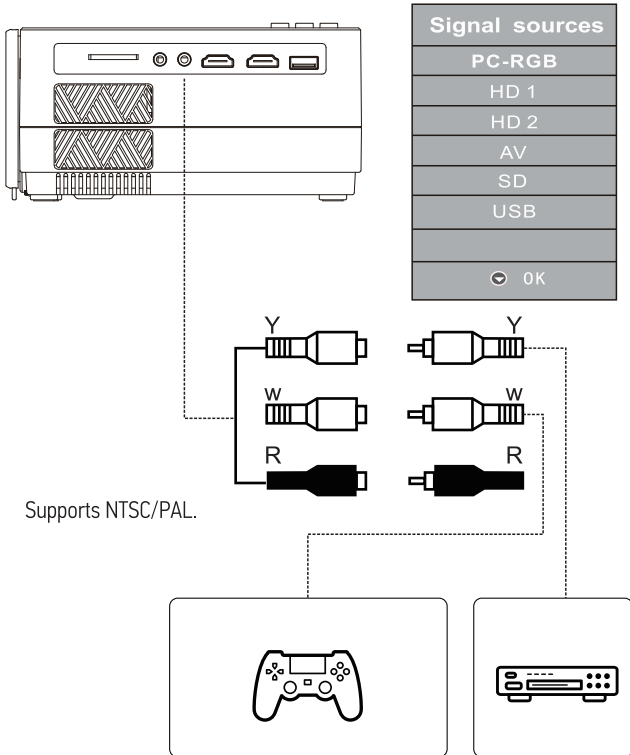


b. Choose SD or USB as source from the menu.



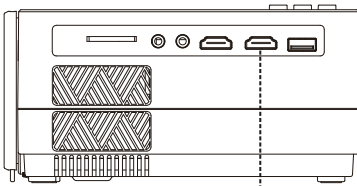
3. AV video connection

Use a 3-in-1 AV cable to connect to the projector as shown below. Once connected, select the AV signal source.



4. HDMI connection

a. Use the HDMI slot to connect computers and HDMI compatible devices. Once connected, select the HDMI signal source.



Signal sources
PC-RGB
HD 1
HD 2
AV
SD
USB
⏪ 0K

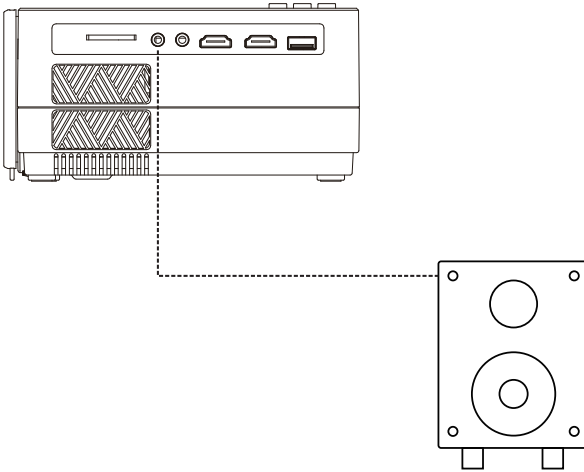
Supported resolutions:

576P, 480P, 720P, 1080P, 640x480, 800x600, 1024x768, 1280x1024, 1280x720, 1440x900, 1366x768, 1920x1080, 1280x800, 1440x960, 680x1050

5. 3.5mm audio connection

a. Use the 3.5mm audio jack to connect headphones and speaker equipment.

Note: This projector does not support Dolby sound.



MENU SETTINGS

1. Remote control user guide

Press the “☰” key to enter the main menu, then press “◀▶” to enter each sub-menu.

Press “▼▲” to select the sub-menu, then adjust the parameters as required, and press the “OK” key to confirm.

2. Function of sub-menus

a. Image sub-menu: Picture mode/color temperature/aspect ratio/noise reduction.



b. Sound sub-menu

Available adjustment: balance, volume, surround sound.

c. Setting sub-menu

Available adjustment: OSD language, restore factory settings, Blending OSD duration, Blue Screen, Software Update(USB).

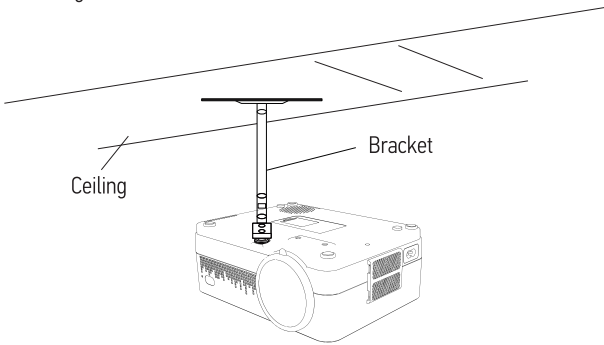
d. Source sub-menu

Available adjustment: AV, HDMI 1, HDMI 2, PC-RGB, USB.

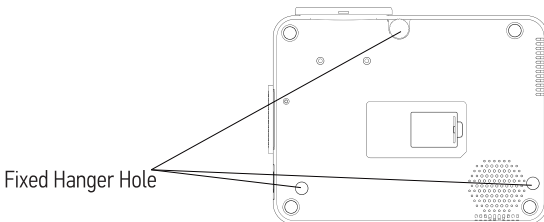
PROJECTOR INSTALLATION

Please refer to the following diagram for mounting the projector on a ceiling.

Do not place the projector near heat sources to prevent the projector from overheating.



When ceiling mounting the projector, please ensure screws of a suitable quality are used, and that screw depth is deep enough to prevent the projector from falling.

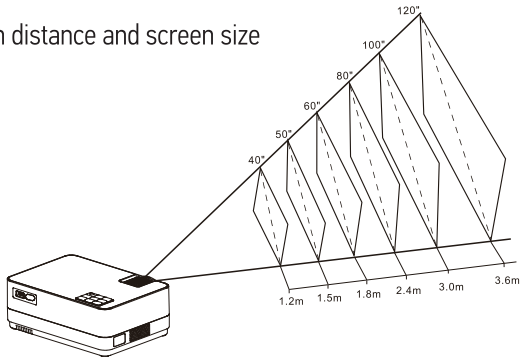


TECHNOLOGY FEATURES

1. Basic parameters

Imaging Technology	LTPS LCD	Color Reproduction	256K
Resolution	1280*720	Keystone	Manual Correction $\pm 15^\circ$
Highest Resolution	1920*1080	Power Voltage	100V-240V 50/60Hz
Light	LED	Integrated watt	65W (Max)
Life Span	50,000 hrs	Input	USB/SD/VGA/HDMI/AV
Lens	Multichip Coated	Output	Earphone USB(5V-500MA)
Operation Mode	Lens (F=140) Manual Operation	Speaker	5Ω 3W
		System support	Support multi-media
		Language support	Support 23 Language
Throw Distance	1.2-6M	Unit size	221*174.7*87.3mm
Screen Size	40-160 Inches	Projector Ratio	1.3:1
Aspect Ratio	4:3/16:9	New Weight	1.42KG

2. Projection distance and screen size



For reference only. The projection distance and screen size differ based on the configuration of the projector.

DBPOWER



Learn more about DBPOWER, please visit us at:

www.dbpower.co



or

Scan QR Code & Start Chatting



Made in China

 m.me/DbpowerDirect
 1-855-666-9888
 support@dbpower.co
 www.dbpower.co