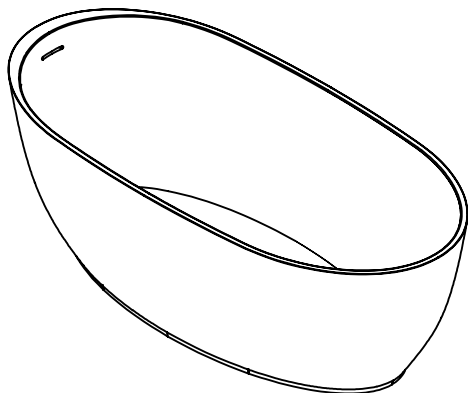
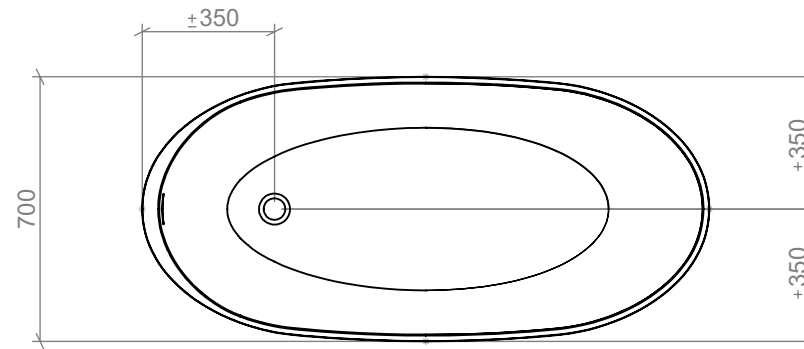
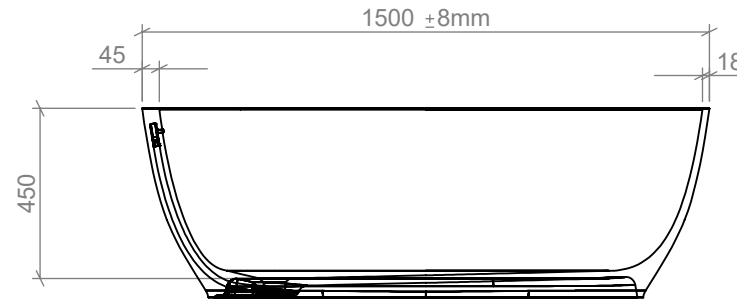
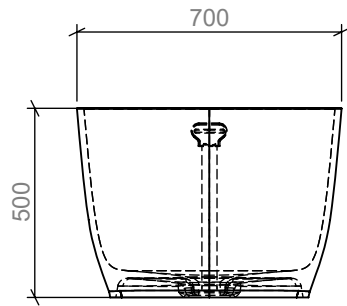


3D VIEW

**NOT
ONLY
WHITE**

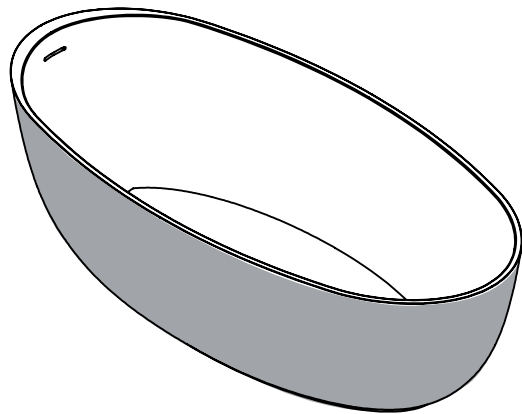
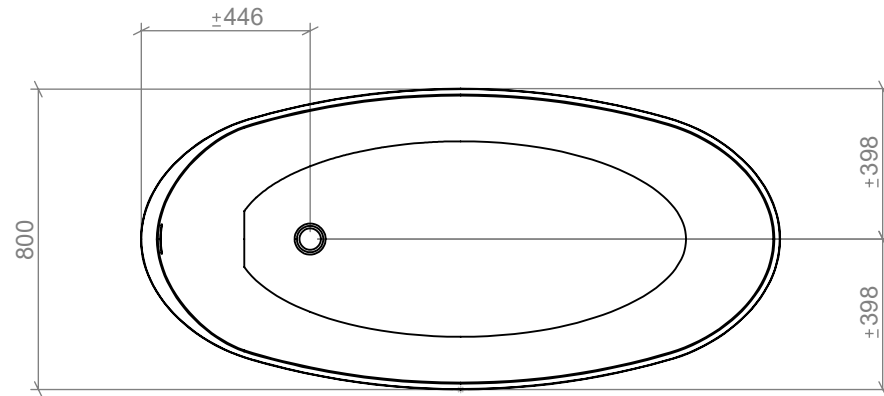
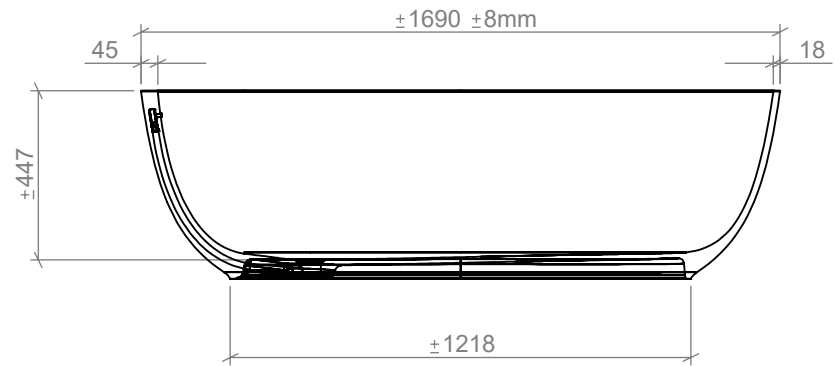
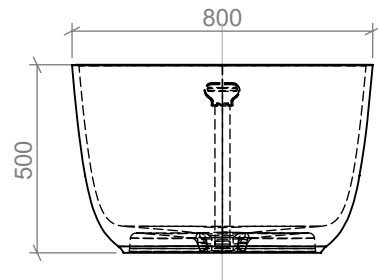
| | | | | | |
|---------------------|--------------|--------|-----------|---|------|
| TYPE | Loop | CODE | FLP01 | UNIT | mm |
| MATR. | Cristalplant | FORMAT | A4 | SCALE | 1:20 |
| EDGE | -- | DATE | 17-3-2020 | TOLERANCE, unless otherwise noted : ± 2mm | |
| DRAIN | Bath pop-up | | | | |
| SIDE BRACKETS (SET) | 0 | | | | |
| BOWL BRACKET (PCS) | 0 | | | | |



3D FRONT VIEW

**NOT
ONLY
WHITE**

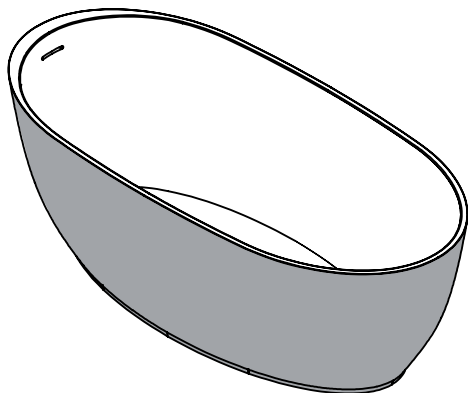
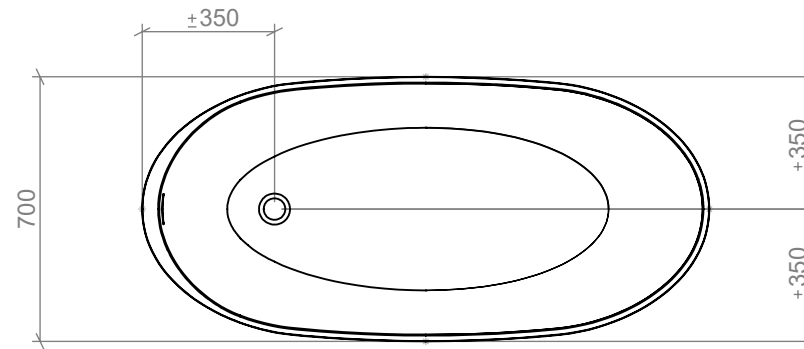
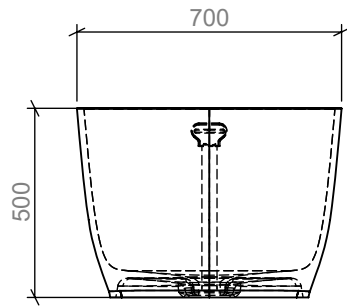
| | | | | | |
|---------------------|--------------|--------|-----------|---|------|
| TYPE | Loop | CODE | FLP03 | UNIT | mm |
| MATR. | Cristalplant | FORMAT | A4 | SCALE | 1:20 |
| EDGE | -- | DATE | 10-5-2017 | TOLERANCE, unless otherwise noted : ± 2mm | |
| DRAIN | Bath pop-up | | | | |
| SIDE BRACKETS (SET) | 0 | | | | |
| BOWL BRACKET (PCS) | 0 | | | | |



3D VIEW

**NOT
ONLY
WHITE**

| | | | | | |
|---------------------|---------------------------------------|--------|-----------|---|------|
| TYPE | Loop | CODE | FLPST01 | UNIT | mm |
| MATR. | Cristalplant + RAL soft touch coating | FORMAT | A4 | SCALE | 1:20 |
| EDGE | -- | DATE | 10-5-2017 | TOLERANCE, unless otherwise noted : ± 2mm | |
| DRAIN | Bath pop-up | | | | |
| SIDE BRACKETS (SET) | 0 | | | | |
| BOWL BRACKET (PCS) | 0 | | | | |



3D VIEW

**NOT
ONLY
WHITE**

| | | | | | |
|---------------------|--------------|--------|-----------|--|------|
| TYPE | Loop | CODE | FLPST03 | UNIT | mm |
| MATR. | Cristalplant | FORMAT | A4 | SCALE | 1:20 |
| EDGE | -- | DATE | 10-5-2017 | TOLERANCE, unless otherwise noted : ± 2mm | |
| DRAIN | Bath pop-up | | | | |
| SIDE BRACKETS (SET) | 0 | | | | |
| BOWL BRACKET (PCS) | 0 | | | | |