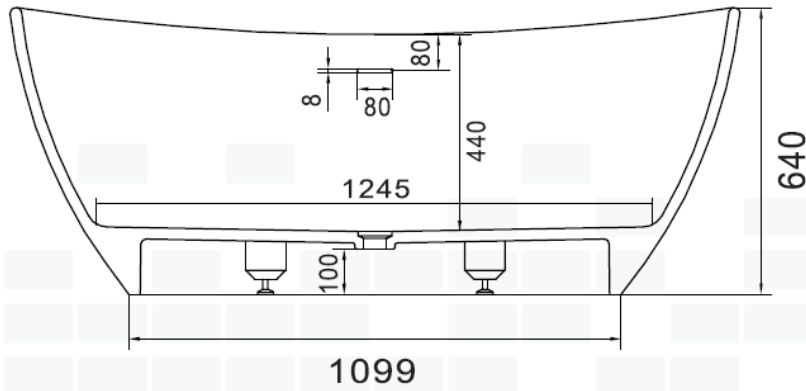
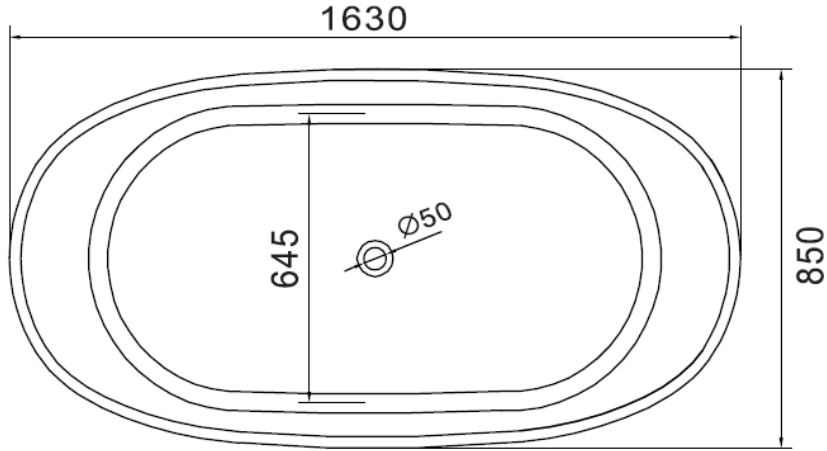




SOLIDSEAL PS-ID278614
SOLID SURFACE ELONGATED BATHTUB



SOLIDSEAL PS-ID 278614 64 "x 33 "x 25 " - 386 LBS

WHITE MATT.
EDGE THICKNESS: 1"
WATER CAPACITY: 76 GAL
W/ O/FLOW HOLE. POP-UP DRAINAGE
W/SOLID COVER & PIPE INCL.
W/ ADJUSTABLE FEET



Project Information
Job Name: _____ Date: _____ Type of hardware: _____
Comments: _____
Approved: _____