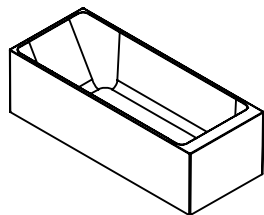
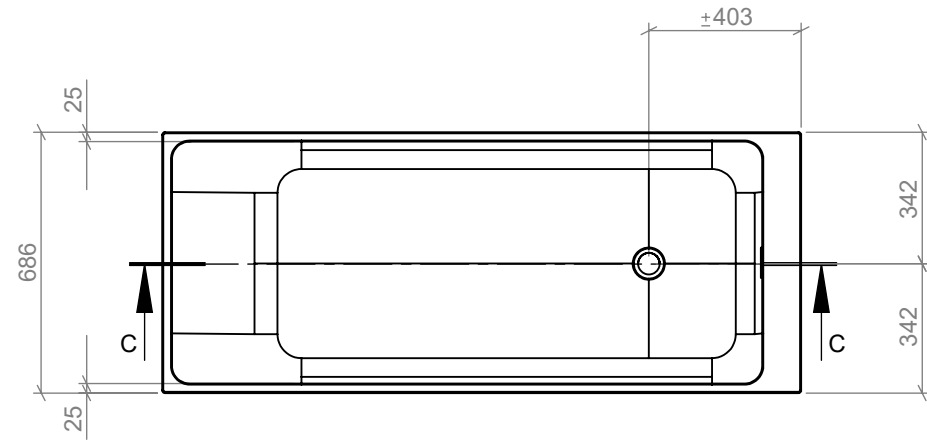
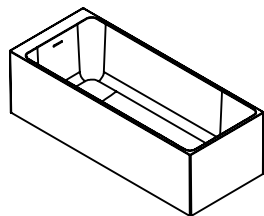


SECTION C-C



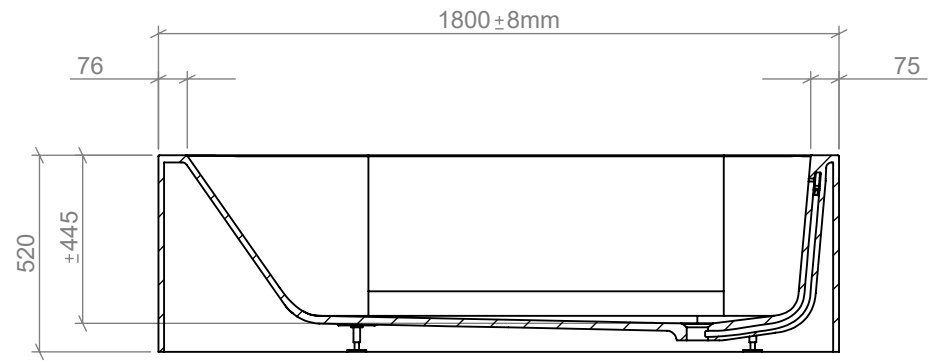
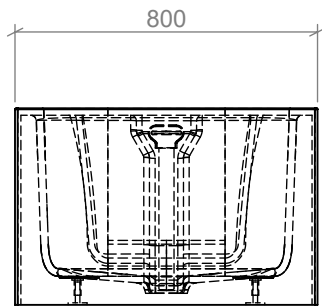
3D FRONT VIEW



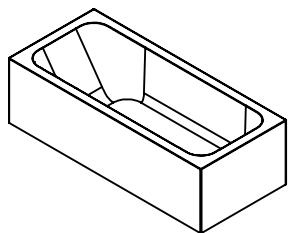
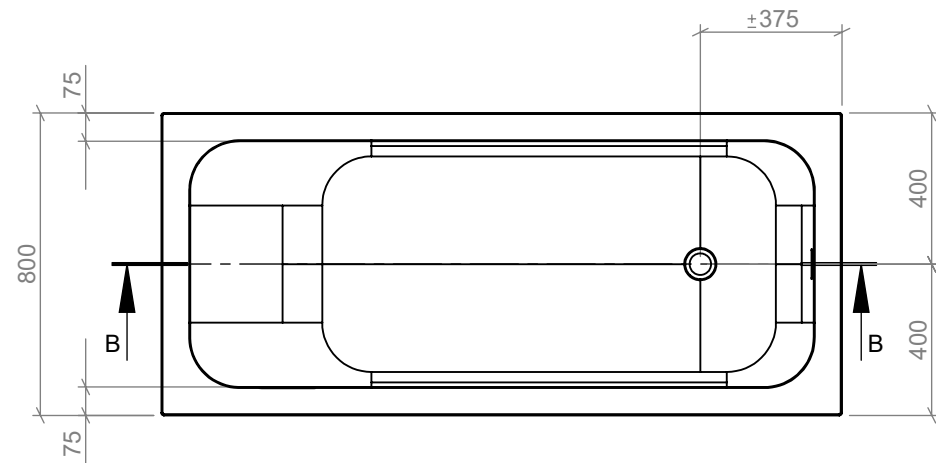
3D BACK VIEW

**NOT  
ONLY  
WHITE**

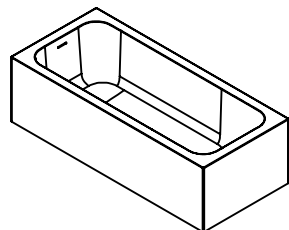
|                     |              |        |           |  |      |
|---------------------|--------------|--------|-----------|--|------|
| TYPE                | <b>Axis</b>  | CODE   | FAX01     | UNIT   | mm   |
| MATR.               | Cristalplant | FORMAT | A4        | SCALE  | 1:10 |
| EDGE                | all          | DATE   | 16-1-2020 | TOLERANCE, unless<br>otherwise noted : ± 2mm |      |
| DRAIN               | Bath pop-up  |        |           |  |      |
| SIDE BRACKETS (SET) | 0            |        |           |  |      |
| BOWL BRACKET (PCS)  | 0            |        |           |  |      |



SECTION B-B



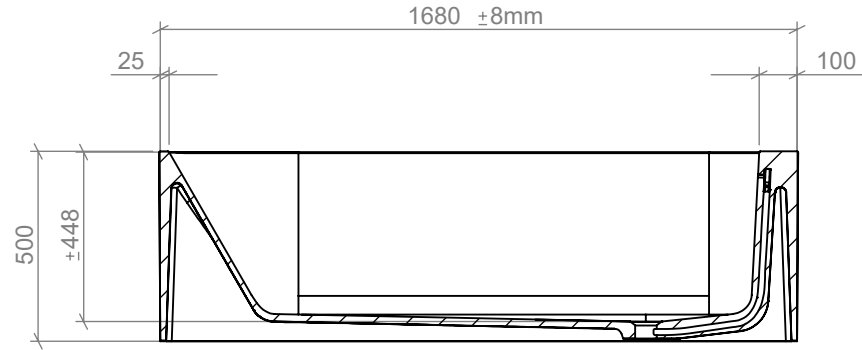
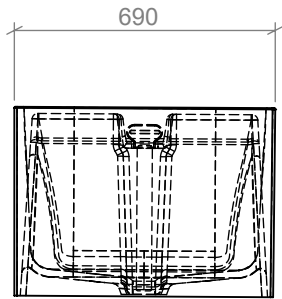
3D FRONT VIEW



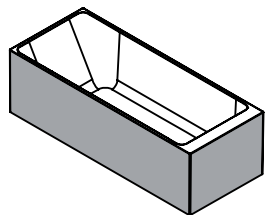
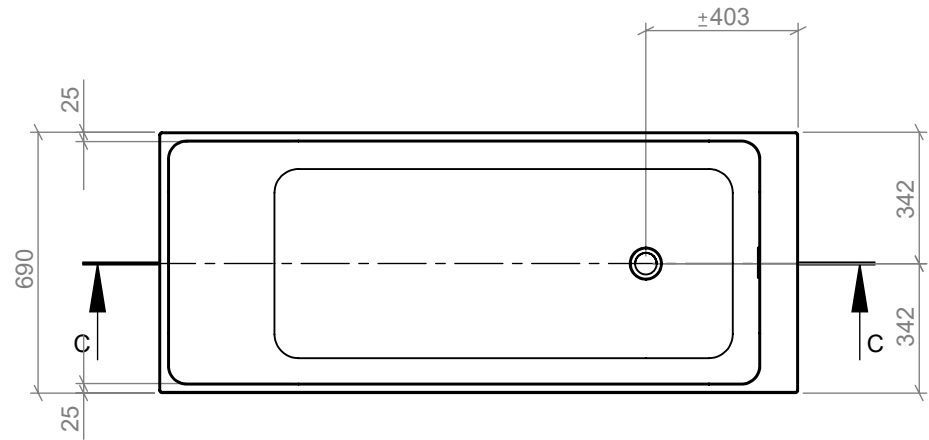
3D BACK VIEW

**NOT  
ONLY  
WHITE**

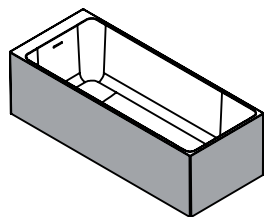
|                     |              |        |            |  |      |
|---------------------|--------------|--------|------------|--|------|
| TYPE                | Axis         | CODE   | FAX02      | UNIT   | mm   |
| MATR.               | Cristalplant | FORMAT | A4         | SCALE  | 1:10 |
| EDGE                | all          | DATE   | 15-12-2017 | TOLERANCE, unless<br>otherwise noted : ± 2mm |      |
| DRAIN               | Bath pop-up  |        |            |  |      |
| SIDE BRACKETS (SET) | 0            |        |            |  |      |
| BOWL BRACKET (PCS)  | 0            |        |            |  |      |



SECTION C-C



3D FRONT VIEW



3D BACK VIEW

**NOT  
ONLY  
WHITE**

|                     |              |        |            |  |      |
|---------------------|--------------|--------|------------|--|------|
| TYPE                | Axis         | CODE   | FAX01      | UNIT   | mm   |
| MATR.               | Cristalplant | FORMAT | A4         | SCALE  | 1:10 |
| EDGE                | all          | DATE   | 15-12-2017 | TOLERANCE, unless<br>otherwise noted : ± 2mm |      |
| DRAIN               | Bath pop-up  |        |            |  |      |
| SIDE BRACKETS (SET) | 0            |        |            |  |      |
| BOWL BRACKET (PCS)  | 0            |        |            |  |      |