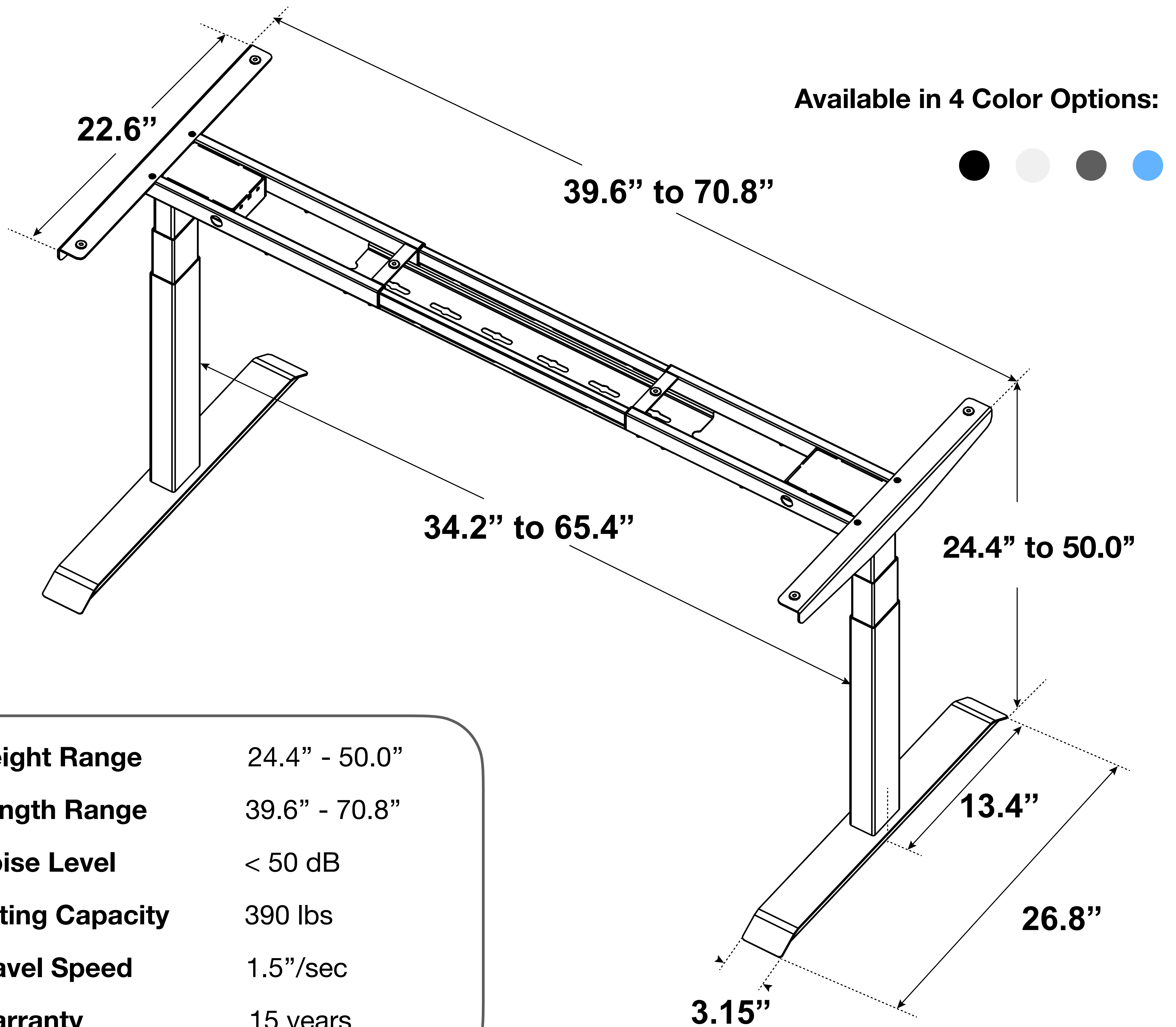


VORII ELEMENTDESK V3.0 FRAME SPECIFICATIONS

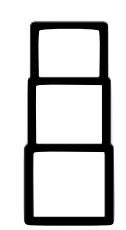
SKU: L-XOT-Black/White/Gray/Blue



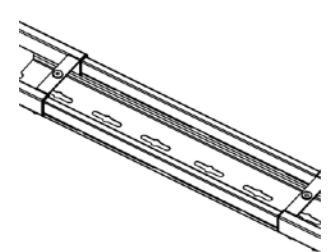
Height Range	24.4" - 50.0"
Length Range	39.6" - 70.8"
Noise Level	< 50 dB
Lifting Capacity	390 lbs
Travel Speed	1.5"/sec
Warranty	15 years



Dual Motors Design



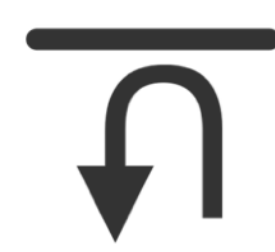
Heavy Duty 3-Stage SPCC Steel Legs



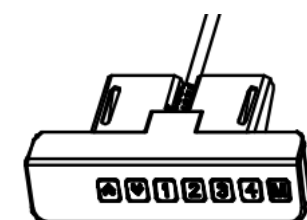
Included Under-Desk Wire Management Cover



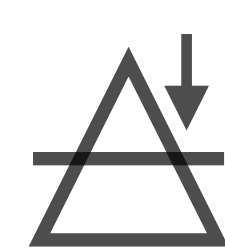
35000 Up and Down Cycles Durability Test



Gyroscope Anti-Collision System with 3 Sensitivity Settings



Four Customizable Height Presets



Motor Locking Mechanism Protects Desk from Uneven Weight Distribution



FCC / UL / TUV / ISO9001 / CE / ROHS Certificated

