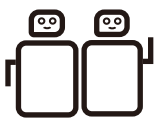
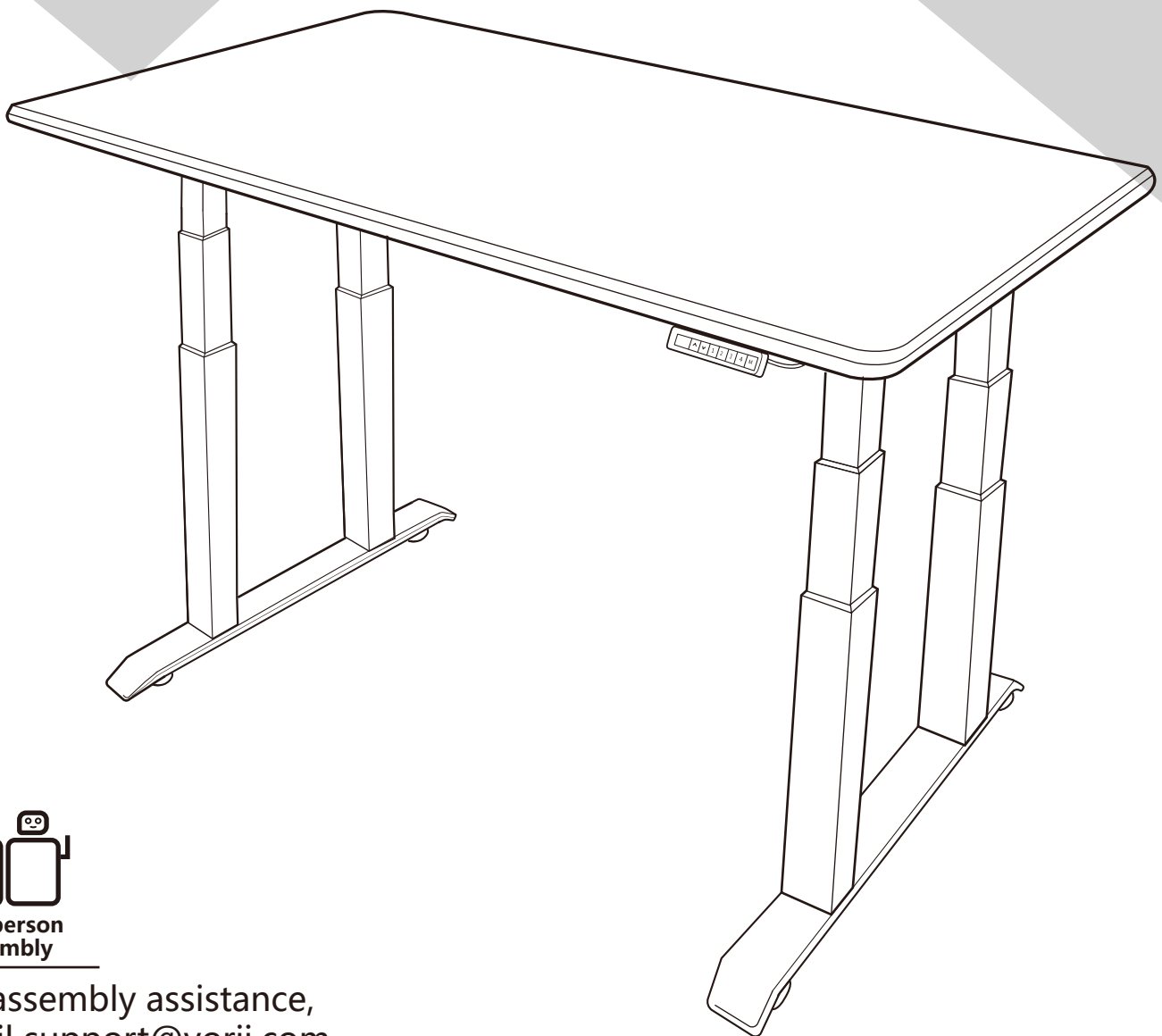




VORII Electric Height Adjustable Standing Desk

Assembly Guide

Applicable to all desk series with Super V3.0 frame



two person
assembly

For assembly assistance,
email support@vorii.com
or call (888) 878-8918

⚠ Caution & Information

Please read this manual carefully. If this desk changes hands, please provide this manual to the new owner.

Make sure the desktop is not touching any obstacles or walls and that no obstacles are in the desk's path. Make sure all cords are at an appropriate length to accommodate the full range of height adjustment.

Keep children away from desk components. There is risk of injury and electric shock.

Do not sit or stand on the desk frame. Do not crawl or lie under the desk frame.

Do not open or modify any of the components, including the Lifting Columns, Control Box, or Handset. Doing so risks electric shock and voids any warranty claims.

Placing objects taller than 20" underneath the desk will obstruct the desk's movement and may result in physical damage.

⚠ Voltage Converters

Using a voltage converter could cause damage to the desk and is considered improper use. Resulting damage is not covered by the warranty.

Verify the voltage of the Control Box as labeled to avoid damage.

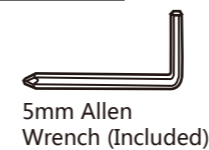
⚠ Use/Liability

This height adjustable desk has electric motors and is designed for use in dry work environments only.

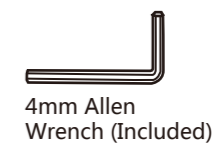
This desk is adjustable so it can be positioned at an optimal ergonomic height. Any extracurricular use is at user's own risk.

Under no circumstances does the manufacturer accept warranty claims or liability claims for damage caused by improper use or handling of the desk frame.

Tools needed

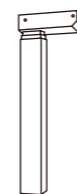


5mm Allen Wrench (Included)

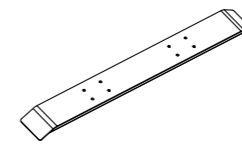


4mm Allen Wrench (Included)

Components



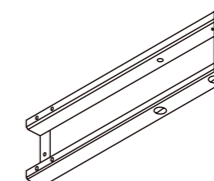
Lifting Column (qty 4)



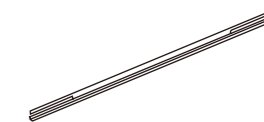
Foot (qty 2)



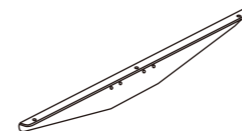
Leveling Pad (qty 4)



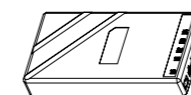
Crossbar End (qty 4)



Center Rail (qty 4)



Side Brackets (qty 2)



Control Box



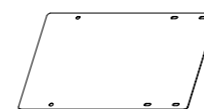
Handset



Power Cord



Leg Cable (qty 2)



Control Box Cover



Cable Clips



Hanger



Machine Screw M6*40



Machine Screw M6*10



Wood Screw M4*16



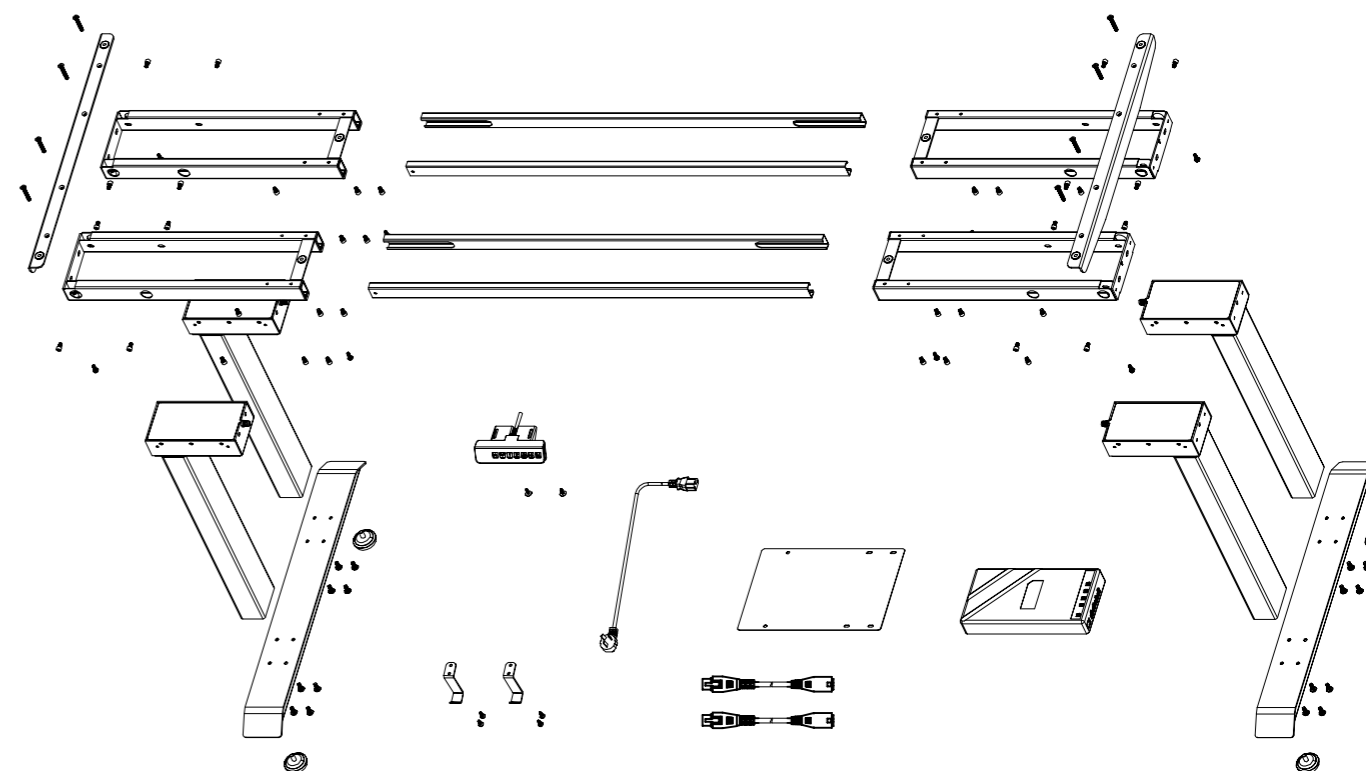
Machine Screw M6*15



Machine Screw M5*15



Wood Screw M5*16

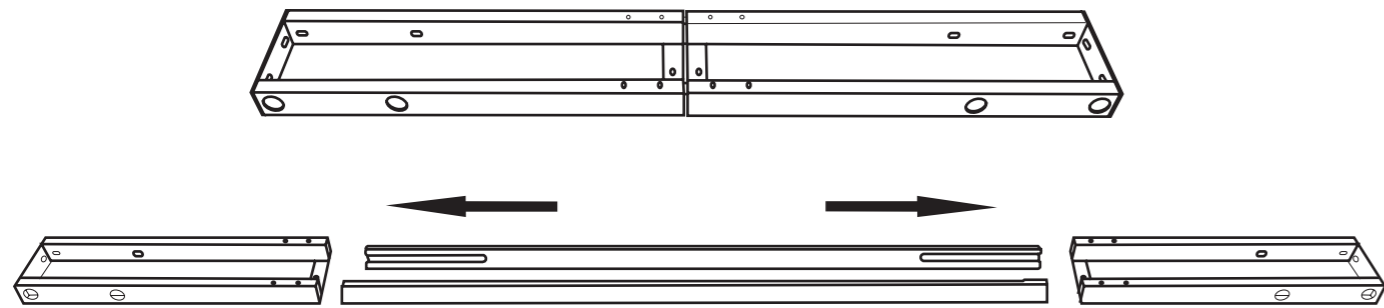


Assembly Instructions

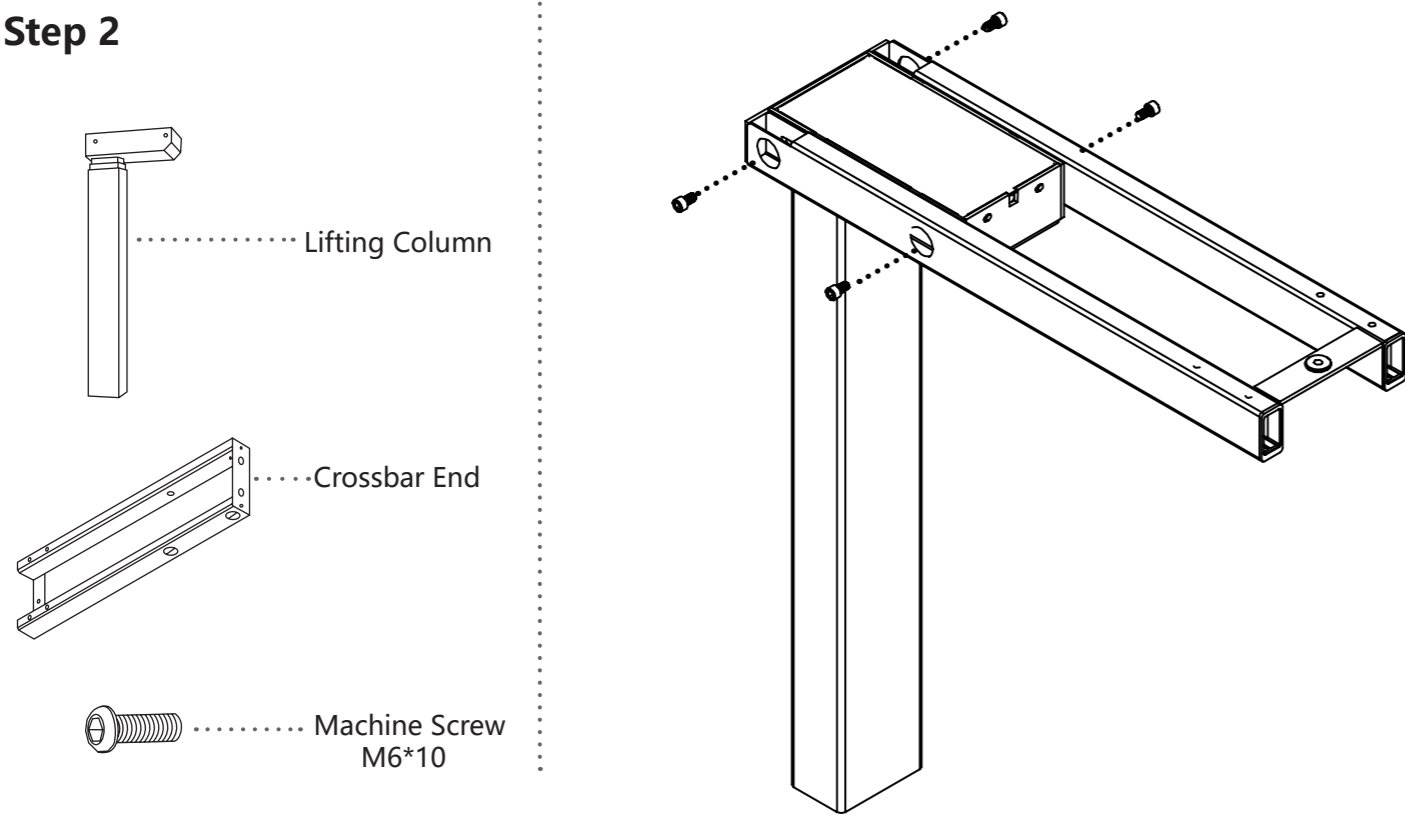
Step 1

Lay out all components and tools to ensure that you have all included parts listed on the previous page.

Fully separate the **Crossbar Ends**. You will find the **Crossbar Center Rails** inside.



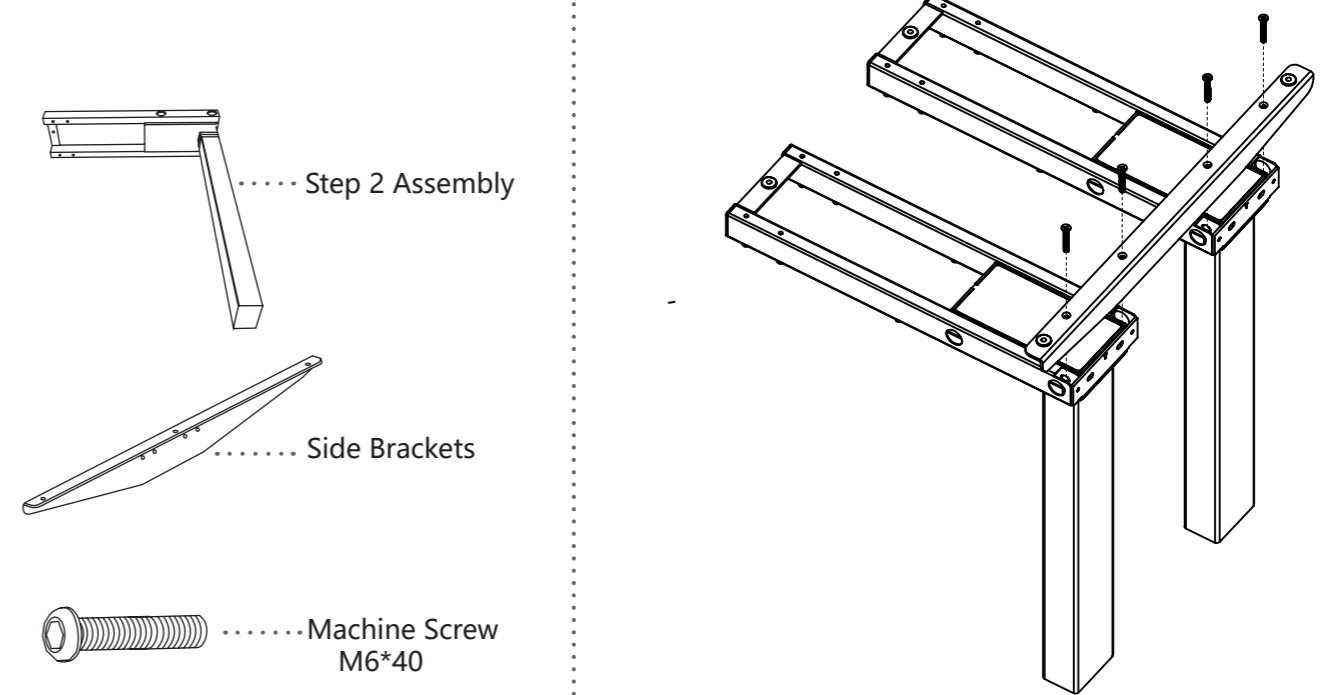
Step 2



Insert one of four **Lifting Columns** into the **Crossbar End**. To secure the **Crossbar End** to the column, thread **four (4)** of the **M6*10 Machine Screws** into the holes as shown, and tighten all the way once all screws are in place.

Repeat this step for the other three **Lifting Columns**.

Step 3

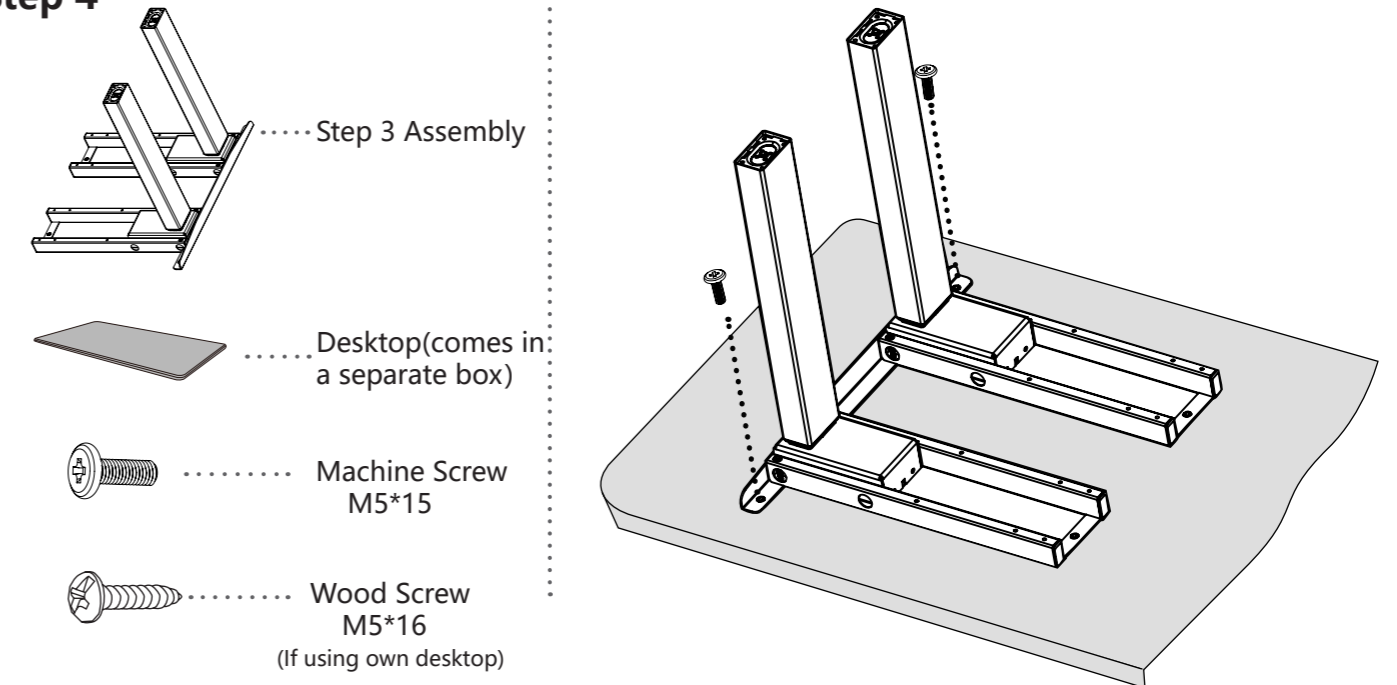


Hold up two of four Step 2 Assemblies as shown. Insert **four (4) M6*40 Machine Screws** through the holes in the **Side Bracket** going into the **Crossbar End** assembly.

Tighten the screws using the **5mm Allen Wrench**.

Repeat this step for the other two **Step 2 Assemblies**.

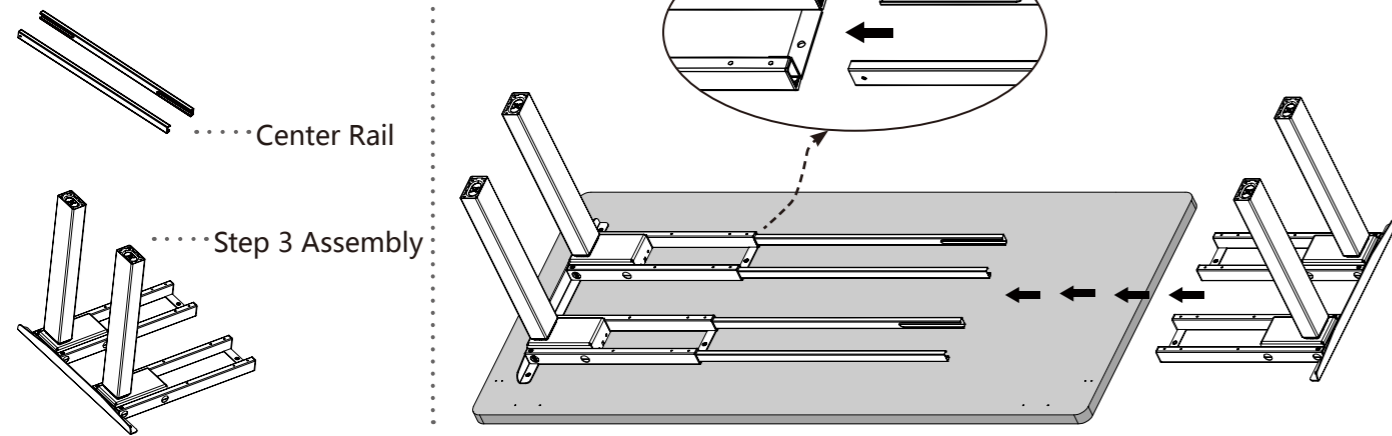
Step 4



Place your **Desktop** upside down on a debris-free carpeted area or a blanket.

Use **two (2) M5*15 Machine Screws** or M5*16 Wood Screws (if using your own desktop) to loosely attach one of the Step 3 Assembly to one side of the desktop.

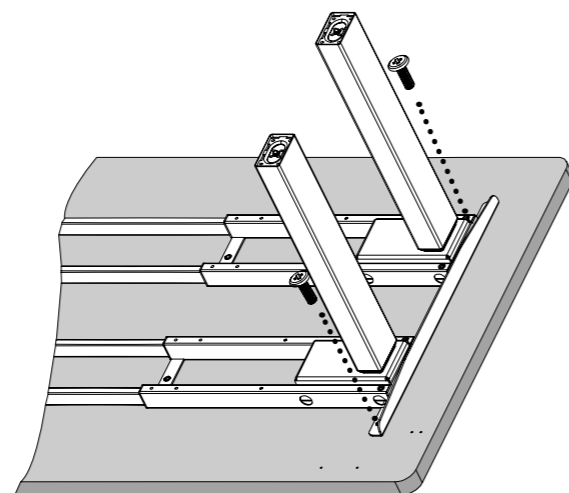
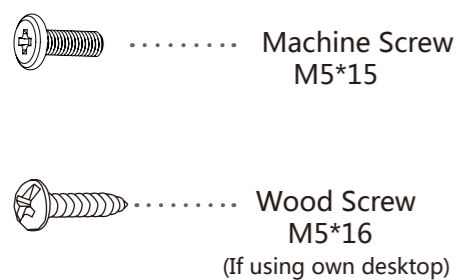
Step 5



Slide the **Center Rails** into the **Crossbar End** attached to the desktop as shown, so that the cut-out slots are facing inwards.

Slide the other **Step 3 Assembly** onto the other end of the Center Rails. The entire frame should now fit onto the desktop.

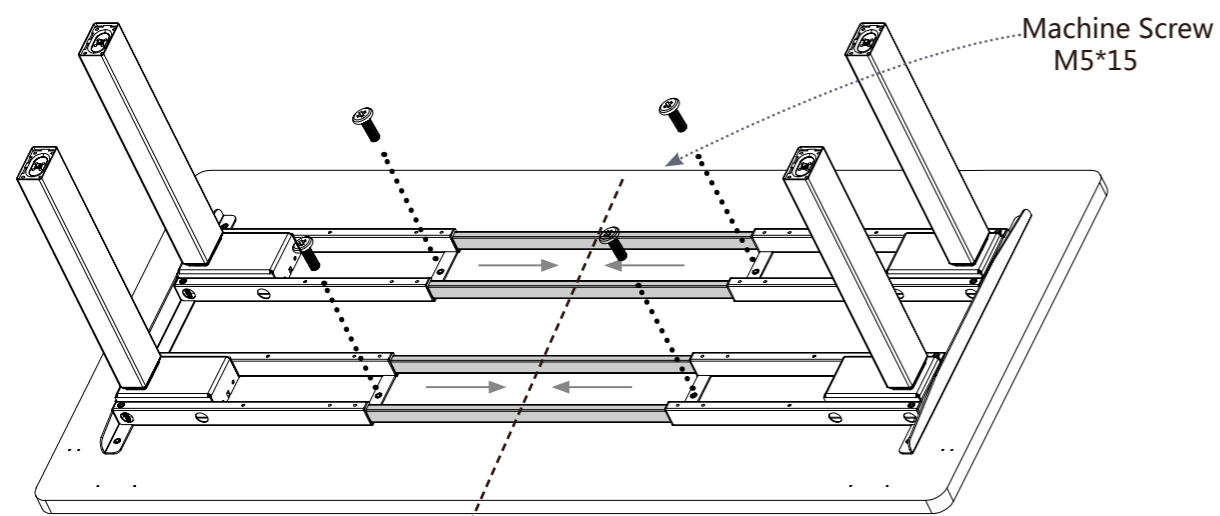
Step 6



Secure the other Leg Assembly to the desktop with **two(2) M5*15 Machine Screws** or **M5*16 Wood Screws** (if using your own desktop).

Tighten once all four screws are in place.

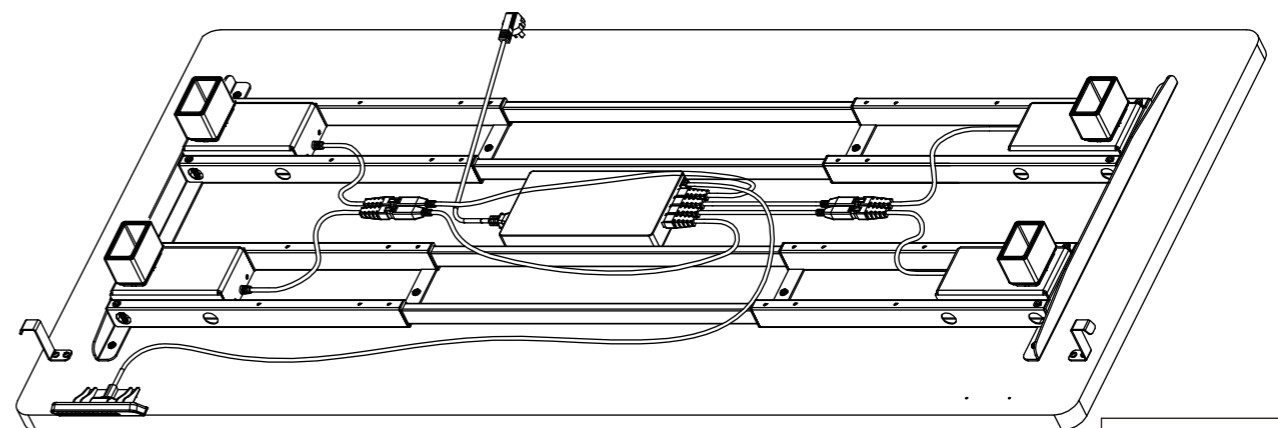
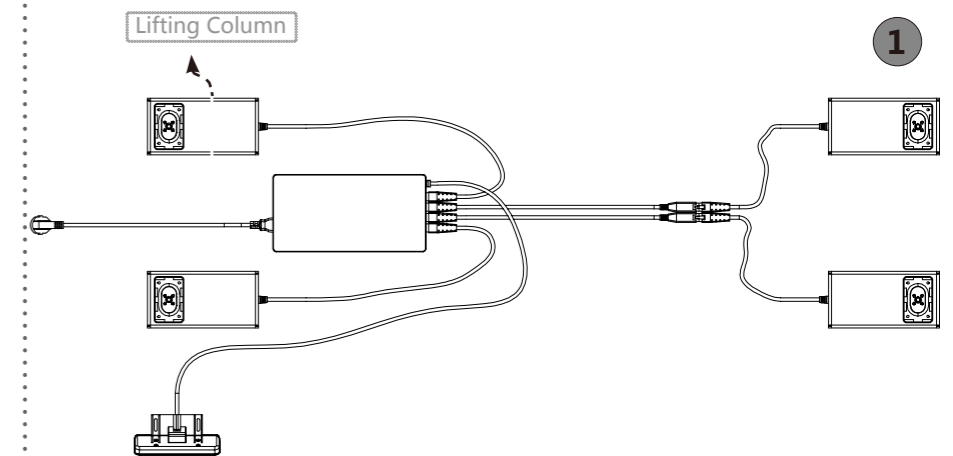
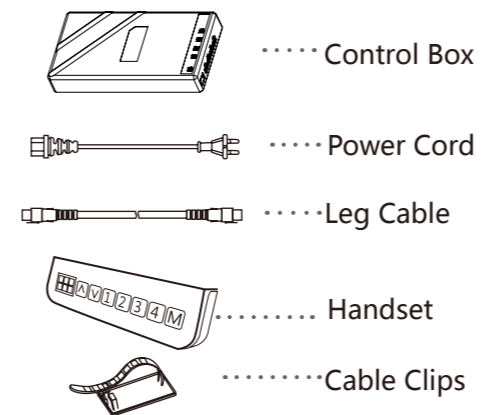
Step 7



Slide each **Center Rail** until the center indicator mark light marking is in the middle.

It's fine if you don't see the mark; the desk will be stable as long as the Center Rails aren't lopsided.

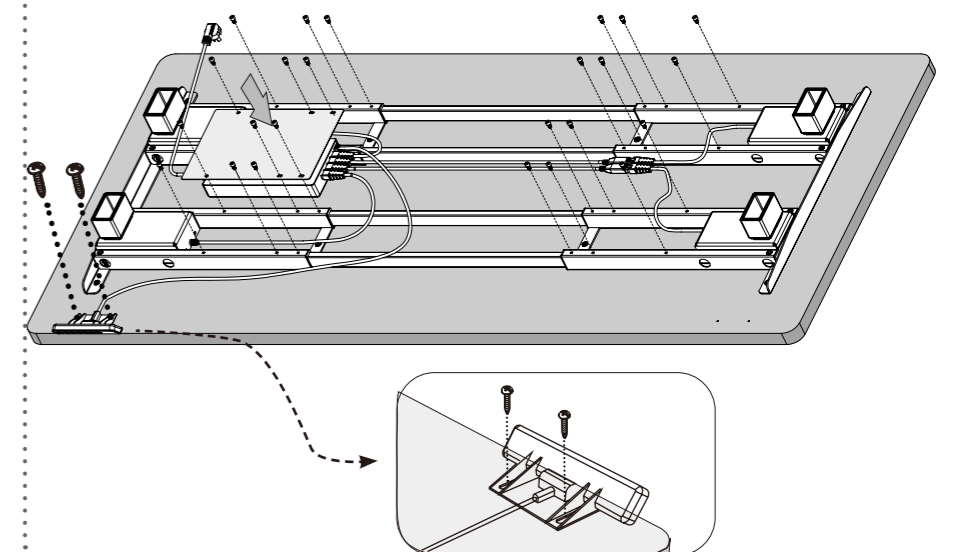
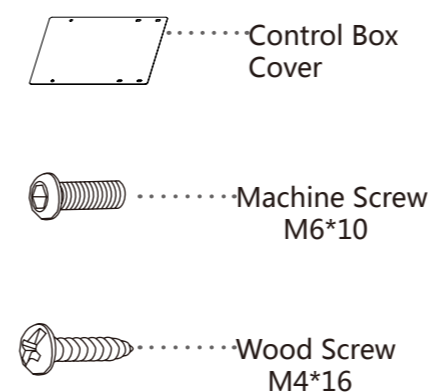
Step 8



As shown in Figure 1, connect the **Leg Cable** to the lifting column and the Control Box. Connect the **Handset cable** to the Control Box.

Then place the **Control Box** in the center of the frame as shown in Figure 2.

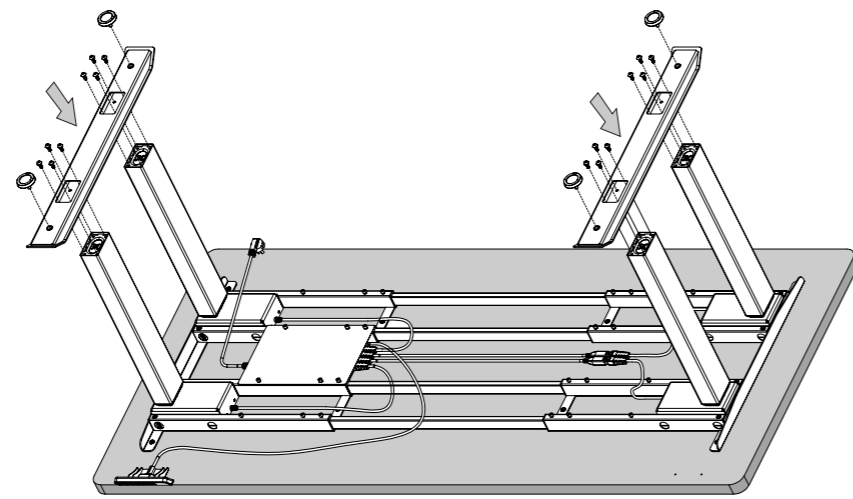
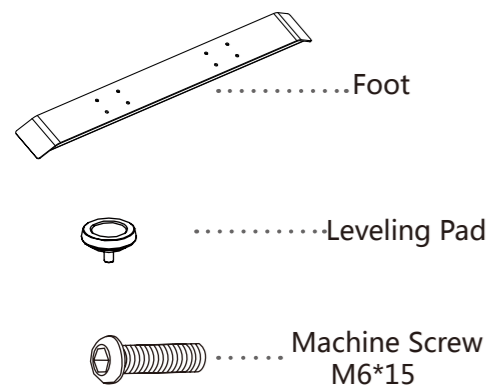
Step 9



Place the **Control Box Cover** on top and insert **eight (8) M6*10 Machine Screws** partially. Then use **eight(8) more M6*10 Machine Screws** to secure all **Center Rails**. Once they are in place, tighten them all completely.

Use **two(2) M4*16 Wood Screws** to secure the **Handset** on the front edge of the **Desktop**. You may decide which side you want your Handset on.

Step 10



Loosely attach a **Foot** to the bottom of each **Lifting Column** using **sixteen (16) Machine Screws** per Foot. Once all the screws are in place, tighten them down the rest of the way.

Install the **Leveling Pads**.

Step 11

With the help of a friend, lift the desk and gently flip it onto its feet.

As you flip, support both the desktop and the frame, be careful not to put weight on the **Handset**.

Adjust the pre-installed leveling glides on the feet as needed.
Plug in the desk.

Initial Calibration/Reset

1. Press and hold the ▼ icon until desktop reaches its lowest position. Release.
2. Press and hold the ▼ icon until the display reads RST.
3. Press and hold the ▼ icon again, this time until desktop first lowers slightly, then rises slightly, and finally stops. Release the ▼ icon.
4. You can now use your electric height adjustable desk.

Programming memory presets

To program your memory presets, raise or lower your desktop to your preferred height.

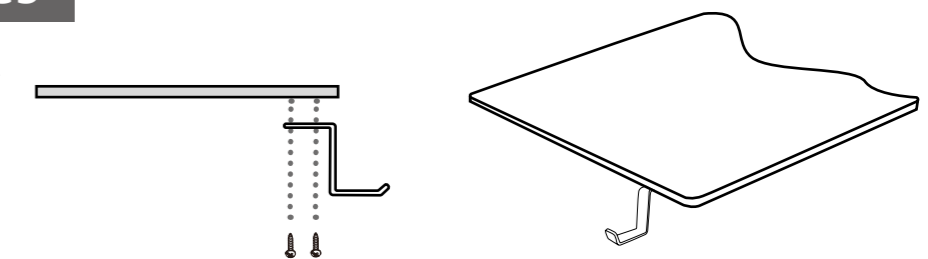
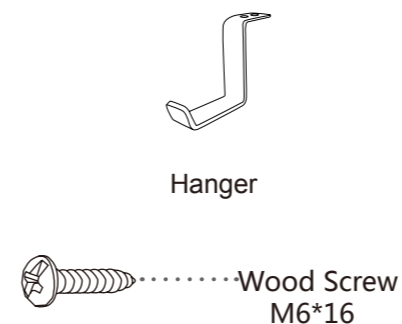
Then, press the **M** icon followed by one of the four numbers you want to preset.

This number will return desktop to your preferred height from now on.

Troubleshooting

CODE	DESCRIPTION	TRUOBLESHOOTING SOLUTION
HOT Hot	Overheat Protection	Cut the power and wait 2 minutes to plug the power again.
E02	Block Protection	This warning is displayed when desktop in vibration, collision or tilt. It will be auto-cleared after rebounding, or press any key to clear during rebounding. Check and ensure that the desk doesn't operate in large amplitude vibration, barrier or tilt conditions before trying to operate again.
E10	Motor Fault Protection	Check and ensure that the connection between motor and controller is reliable, then turn the power off and on again or press reset to clear.
E20	Overload Protection	Remove some objects on the desktop if it this warning is displayed when the desk is rising; if it is displayed when the desk is lowering, turn the power off and on again or press reset to clear.
E31	Undervoltage Protection	This warning is displayed when the supply voltage is lower than the threshold. Turn the power off and on again to clear.
	The desk stops raising/ lowering after a few centimeters	Press and hold the M button for 3 seconds until the display shows S-- (setup mode). Then press M again, followed by the down arrow 3 times to toggle through the menu. Once you're on CF , press M again to adjust sensitivity, and use up/down arrow to toggle until it shows OFF . Then press M again to finish setup.

Additional Accessories



The hanger can be attached to a location of your choice underneath the desktop. The **M6 *16 wood screws** is included.