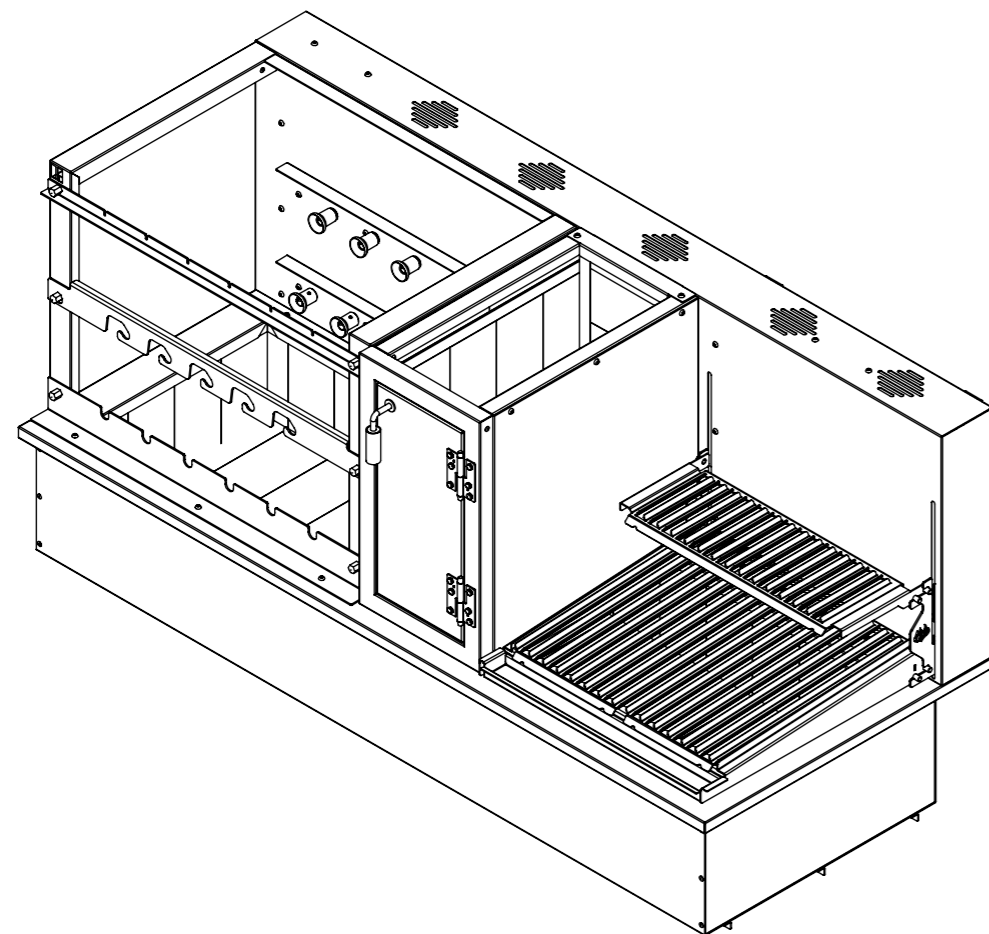
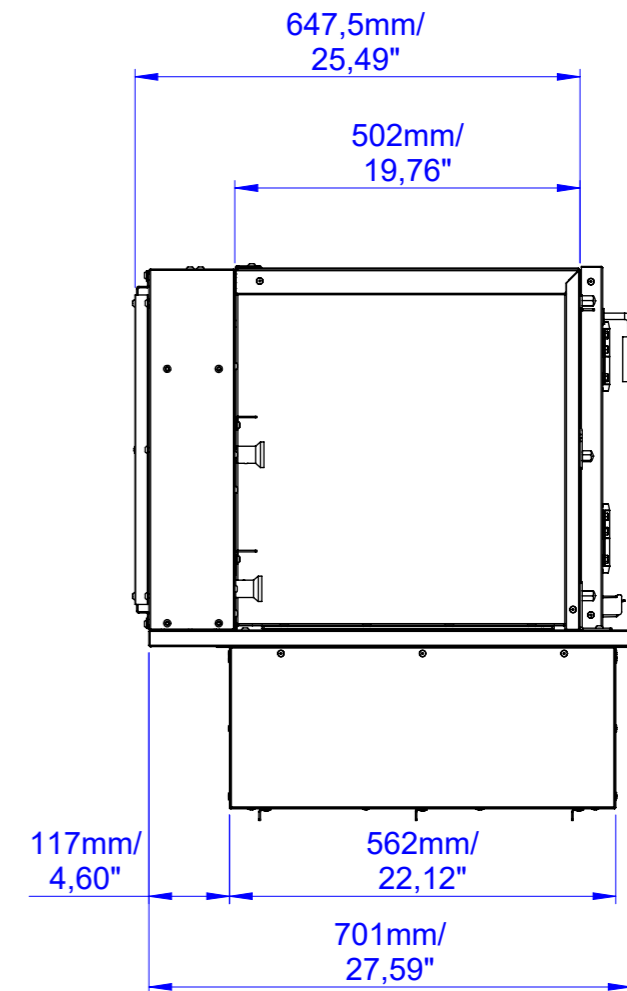
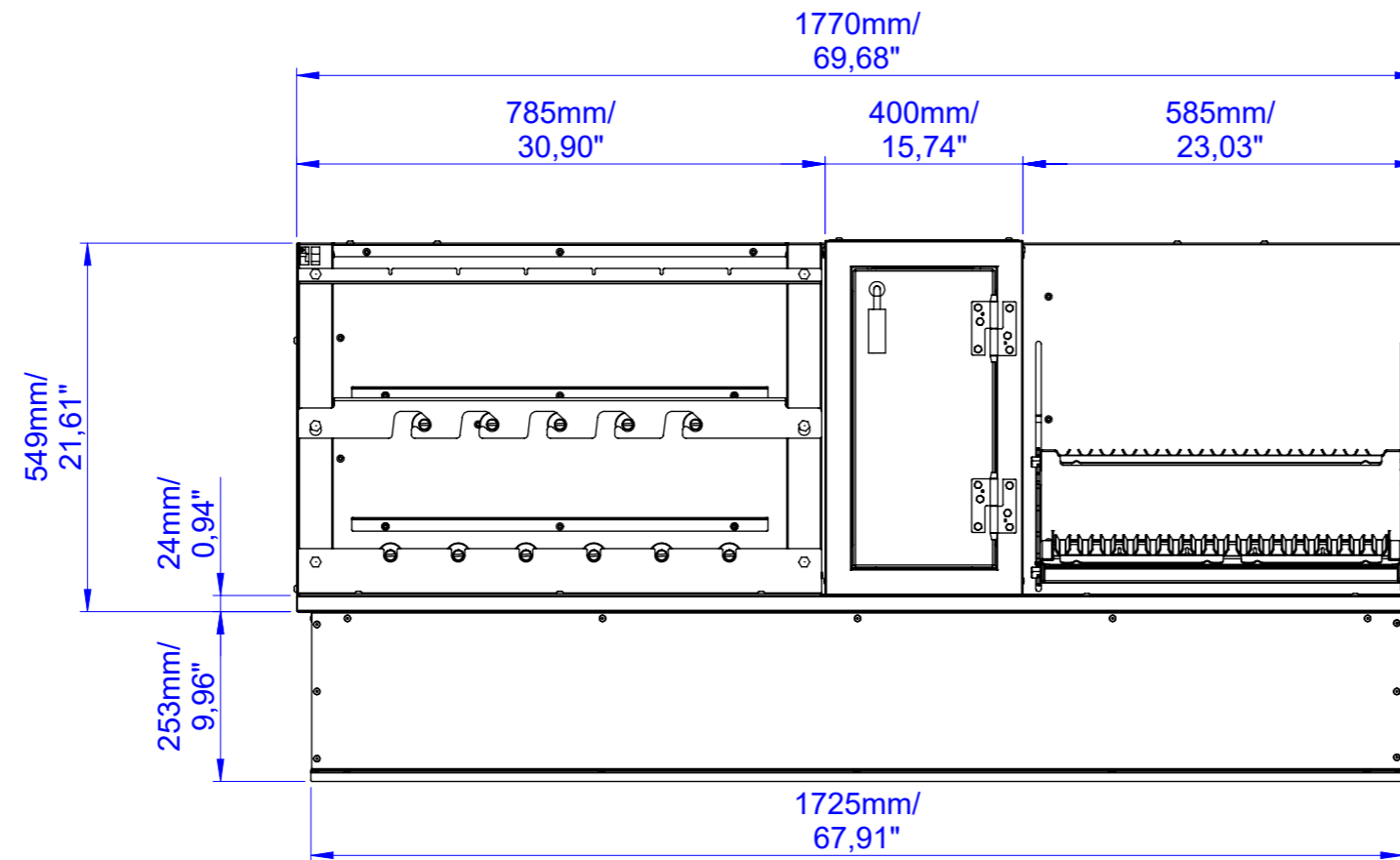


Alterado:

Responsável:

Data:



Item:	A Tabela Administrativa para Intervalo de Dimensões Baseado (mm)										A Tabela Verificativa para Intervalo de Dimensões Baseado (mm)										Código: <b>TRE900 COOK. 11 ESP.</b>																																																																																																																																																																																																																														
	complementos, em milímetros, de menor ou igual										complementos, em milímetros, de menor ou igual										Descrição: <b>TRE 900 - 785+400+585</b>																																																																																																																																																																																																																														
	<table border="1"> <tr><th>Dimensão</th><th>0+</th><th>0-1</th><th>0-2</th><th>0-3</th><th>0-4</th><th>0-5</th><th>0-6</th><th>0-7</th><th>0-8</th><th>0-9</th></tr> <tr><td>1</td><td>0</td><td>1</td><td>2</td><td>3</td><td>4</td><td>5</td><td>6</td><td>7</td><td>8</td><td>9</td></tr> <tr><td>2</td><td>0</td><td>1</td><td>2</td><td>3</td><td>4</td><td>5</td><td>6</td><td>7</td><td>8</td><td>9</td></tr> <tr><td>3</td><td>0</td><td>1</td><td>2</td><td>3</td><td>4</td><td>5</td><td>6</td><td>7</td><td>8</td><td>9</td></tr> <tr><td>4</td><td>0</td><td>1</td><td>2</td><td>3</td><td>4</td><td>5</td><td>6</td><td>7</td><td>8</td><td>9</td></tr> <tr><td>5</td><td>0</td><td>1</td><td>2</td><td>3</td><td>4</td><td>5</td><td>6</td><td>7</td><td>8</td><td>9</td></tr> <tr><td>6</td><td>0</td><td>1</td><td>2</td><td>3</td><td>4</td><td>5</td><td>6</td><td>7</td><td>8</td><td>9</td></tr> <tr><td>7</td><td>0</td><td>1</td><td>2</td><td>3</td><td>4</td><td>5</td><td>6</td><td>7</td><td>8</td><td>9</td></tr> <tr><td>8</td><td>0</td><td>1</td><td>2</td><td>3</td><td>4</td><td>5</td><td>6</td><td>7</td><td>8</td><td>9</td></tr> <tr><td>9</td><td>0</td><td>1</td><td>2</td><td>3</td><td>4</td><td>5</td><td>6</td><td>7</td><td>8</td><td>9</td></tr> </table>										Dimensão	0+	0-1	0-2	0-3	0-4	0-5	0-6	0-7	0-8	0-9	1	0	1	2	3	4	5	6	7	8	9	2	0	1	2	3	4	5	6	7	8	9	3	0	1	2	3	4	5	6	7	8	9	4	0	1	2	3	4	5	6	7	8	9	5	0	1	2	3	4	5	6	7	8	9	6	0	1	2	3	4	5	6	7	8	9	7	0	1	2	3	4	5	6	7	8	9	8	0	1	2	3	4	5	6	7	8	9	9	0	1	2	3	4	5	6	7	8	9	<table border="1"> <tr><th>Dimensão</th><th>0+</th><th>0-1</th><th>0-2</th><th>0-3</th><th>0-4</th><th>0-5</th><th>0-6</th><th>0-7</th><th>0-8</th><th>0-9</th></tr> <tr><td>1</td><td>0</td><td>1</td><td>2</td><td>3</td><td>4</td><td>5</td><td>6</td><td>7</td><td>8</td><td>9</td></tr> <tr><td>2</td><td>0</td><td>1</td><td>2</td><td>3</td><td>4</td><td>5</td><td>6</td><td>7</td><td>8</td><td>9</td></tr> <tr><td>3</td><td>0</td><td>1</td><td>2</td><td>3</td><td>4</td><td>5</td><td>6</td><td>7</td><td>8</td><td>9</td></tr> <tr><td>4</td><td>0</td><td>1</td><td>2</td><td>3</td><td>4</td><td>5</td><td>6</td><td>7</td><td>8</td><td>9</td></tr> <tr><td>5</td><td>0</td><td>1</td><td>2</td><td>3</td><td>4</td><td>5</td><td>6</td><td>7</td><td>8</td><td>9</td></tr> <tr><td>6</td><td>0</td><td>1</td><td>2</td><td>3</td><td>4</td><td>5</td><td>6</td><td>7</td><td>8</td><td>9</td></tr> <tr><td>7</td><td>0</td><td>1</td><td>2</td><td>3</td><td>4</td><td>5</td><td>6</td><td>7</td><td>8</td><td>9</td></tr> <tr><td>8</td><td>0</td><td>1</td><td>2</td><td>3</td><td>4</td><td>5</td><td>6</td><td>7</td><td>8</td><td>9</td></tr> <tr><td>9</td><td>0</td><td>1</td><td>2</td><td>3</td><td>4</td><td>5</td><td>6</td><td>7</td><td>8</td><td>9</td></tr> </table>										Dimensão	0+	0-1	0-2	0-3	0-4	0-5	0-6	0-7	0-8	0-9	1	0	1	2	3	4	5	6	7	8	9	2	0	1	2	3	4	5	6	7	8	9	3	0	1	2	3	4	5	6	7	8	9	4	0	1	2	3	4	5	6	7	8	9	5	0	1	2	3	4	5	6	7	8	9	6	0	1	2	3	4	5	6	7	8	9	7	0	1	2	3	4	5	6	7	8	9	8	0	1	2	3	4	5	6	7	8	9	9	0	1	2	3	4	5	6	7	8	9	Acab. Superficial:		
	Dimensão	0+	0-1	0-2	0-3	0-4	0-5	0-6	0-7	0-8	0-9																																																																																																																																																																																																																																								
1	0	1	2	3	4	5	6	7	8	9																																																																																																																																																																																																																																									
2	0	1	2	3	4	5	6	7	8	9																																																																																																																																																																																																																																									
3	0	1	2	3	4	5	6	7	8	9																																																																																																																																																																																																																																									
4	0	1	2	3	4	5	6	7	8	9																																																																																																																																																																																																																																									
5	0	1	2	3	4	5	6	7	8	9																																																																																																																																																																																																																																									
6	0	1	2	3	4	5	6	7	8	9																																																																																																																																																																																																																																									
7	0	1	2	3	4	5	6	7	8	9																																																																																																																																																																																																																																									
8	0	1	2	3	4	5	6	7	8	9																																																																																																																																																																																																																																									
9	0	1	2	3	4	5	6	7	8	9																																																																																																																																																																																																																																									
Dimensão	0+	0-1	0-2	0-3	0-4	0-5	0-6	0-7	0-8	0-9																																																																																																																																																																																																																																									
1	0	1	2	3	4	5	6	7	8	9																																																																																																																																																																																																																																									
2	0	1	2	3	4	5	6	7	8	9																																																																																																																																																																																																																																									
3	0	1	2	3	4	5	6	7	8	9																																																																																																																																																																																																																																									
4	0	1	2	3	4	5	6	7	8	9																																																																																																																																																																																																																																									
5	0	1	2	3	4	5	6	7	8	9																																																																																																																																																																																																																																									
6	0	1	2	3	4	5	6	7	8	9																																																																																																																																																																																																																																									
7	0	1	2	3	4	5	6	7	8	9																																																																																																																																																																																																																																									
8	0	1	2	3	4	5	6	7	8	9																																																																																																																																																																																																																																									
9	0	1	2	3	4	5	6	7	8	9																																																																																																																																																																																																																																									
													Projetado: <b>Marcos</b>			Data: <b>02/05/2013</b>			Código do Material:																																																																																																																																																																																																																																
													Detalhado: <b>Marcos</b>			Data: <b>26/09/2023</b>			Material:																																																																																																																																																																																																																																
													Aprovado:			Data:			Quantidade: <b>0</b>																																																																																																																																																																																																																																
													Esc.: <b>1:20</b>						Peso(Kg): <b>202.02</b>																																																																																																																																																																																																																																
																			Peso Bruto(Kg):																																																																																																																																																																																																																																