

PROFESSIONAL LINE



Scheer

Churrasqueiras e Parrillas

☎ 954-482-0820

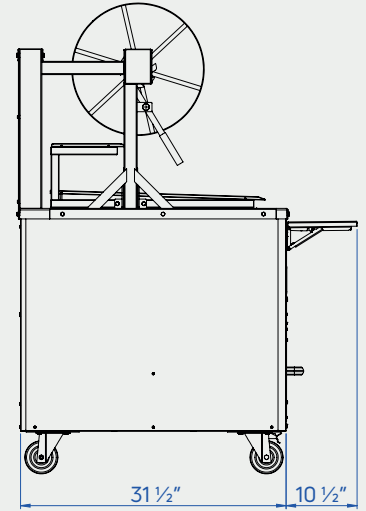
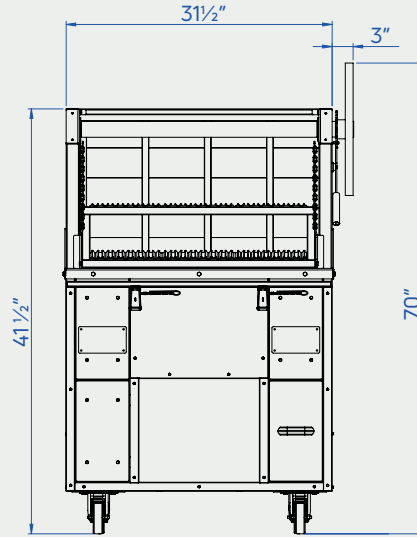
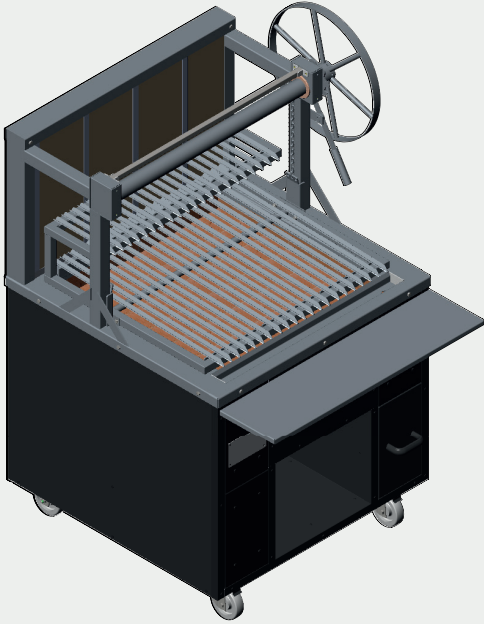
🌐 www.zafill.com

📷 @zafillusa

PROFESSIONAL GRILLS

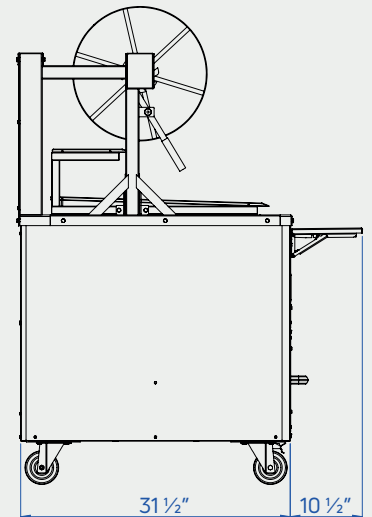
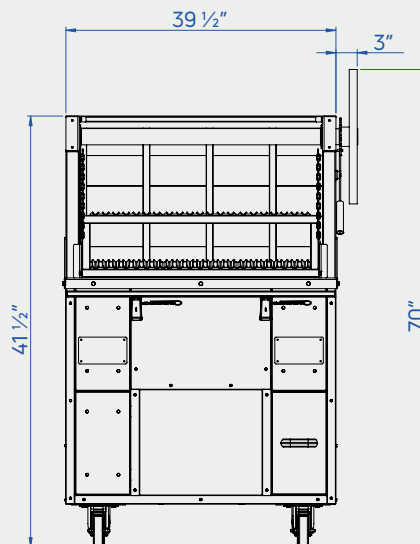
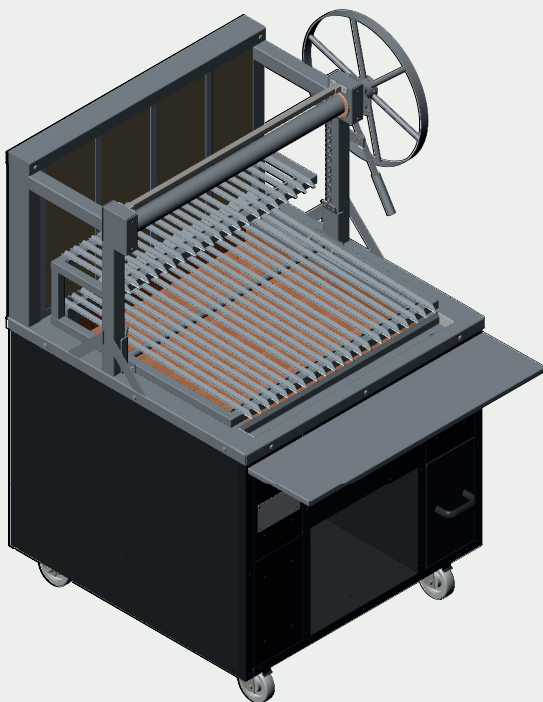
Model 695 - 1

| Length: Grill | Cooking Area |
|---------------|-------------------|
| 31 1/2" | 24 1/2" x 21 1/2" |



Model 695 - 1

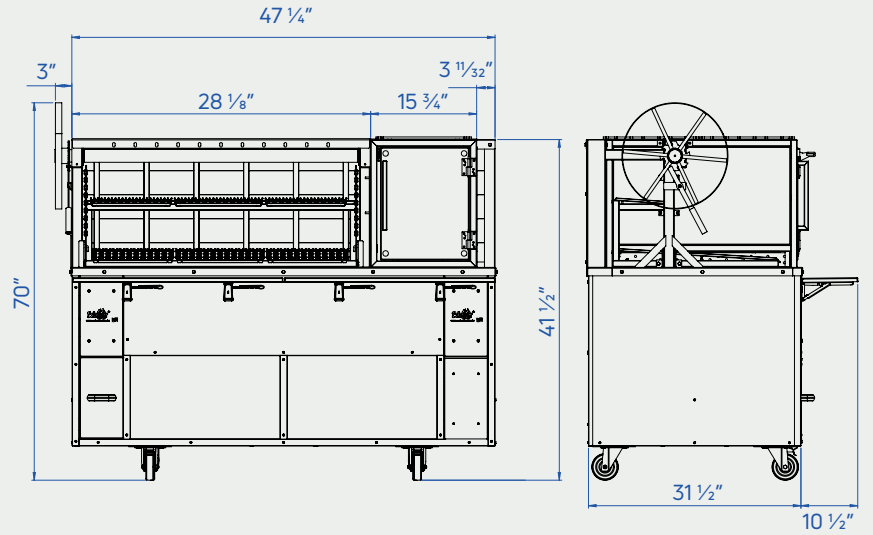
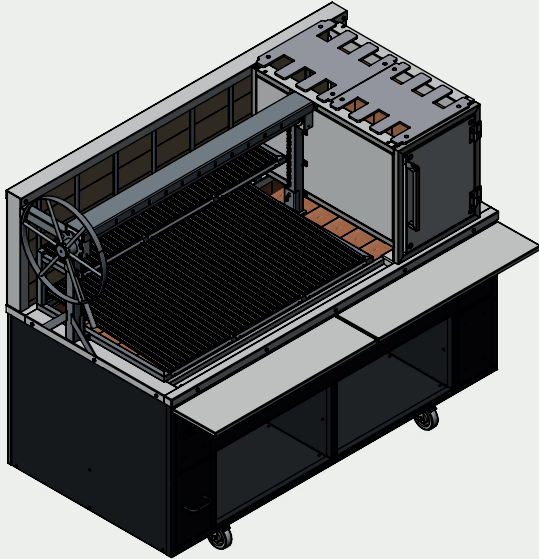
| Length: Grill | Cooking Area |
|---------------|---------------|
| 39 1/2" | 32" x 21 1/2" |



PROFESSIONAL GRILLS

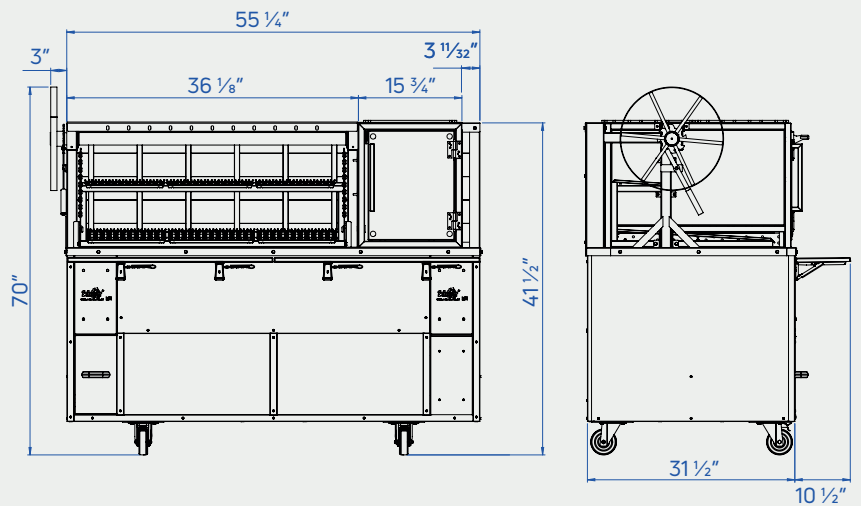
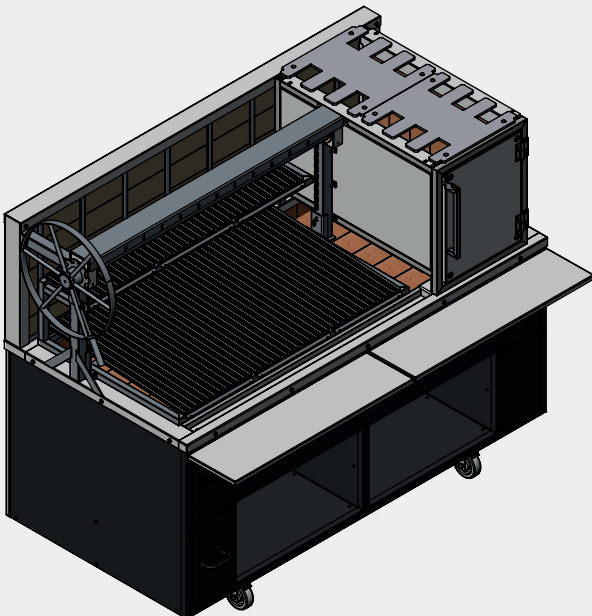
Model 695 - 2

| Length: Grill + Firebox | Cooking Area |
|--|--|
| $28 \frac{1}{8}'' + 15 \frac{3}{4}'' + 3 \frac{11}{32}'' = 47 \frac{1}{4}''$ | $21 \frac{1}{8}'' \times 21 \frac{1}{2}''$ |



Model 695 - 2

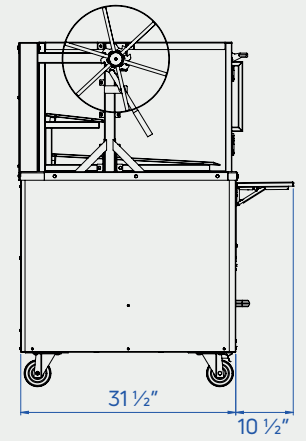
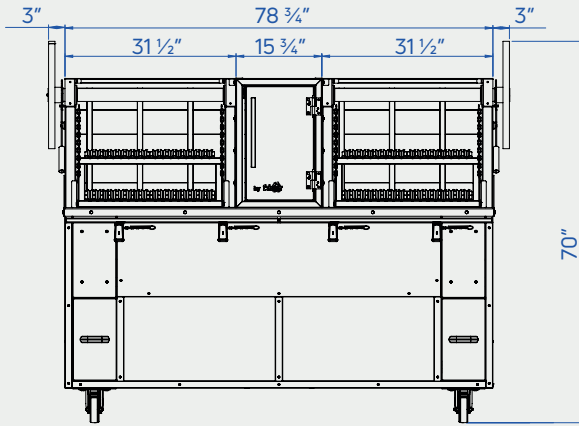
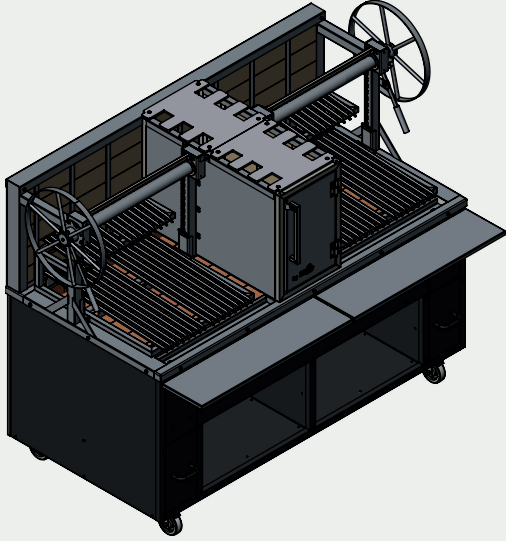
| Length: Grill + Firebox | Cooking Area |
|--|--|
| $36 \frac{1}{8}'' + 15 \frac{3}{4}'' + 3 \frac{11}{32}'' = 55 \frac{1}{4}''$ | $29 \frac{3}{4}'' \times 21 \frac{1}{2}''$ |



PROFESSIONAL GRILLS

Model 695 - 3

| Length: Grill + Firebox + Grill | Cooking Area |
|---|--|
| $31\frac{1}{2}'' + 15\frac{3}{4}'' + 31\frac{1}{2}'' = 78\frac{3}{4}''$ | $24\frac{1}{2}'' \times 21\frac{1}{2}''$ each side |



Model 695 - 3

| Length: Grill + Firebox + Grill | Cooking Area |
|---|---|
| $39\frac{1}{2}'' + 15\frac{3}{4}'' + 39\frac{1}{2}'' = 94\frac{3}{4}''$ | $32'' \times 21\frac{1}{2}''$ each side |

