

PROFESSIONAL LINE



Scheer

Churrasqueiras e Parrillas

☎ 954-482-0820

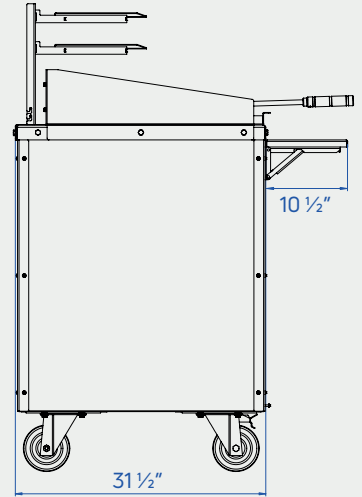
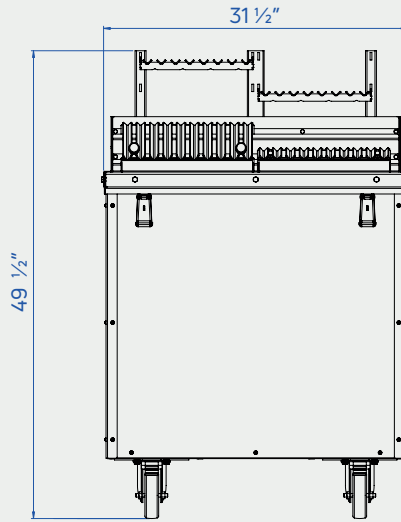
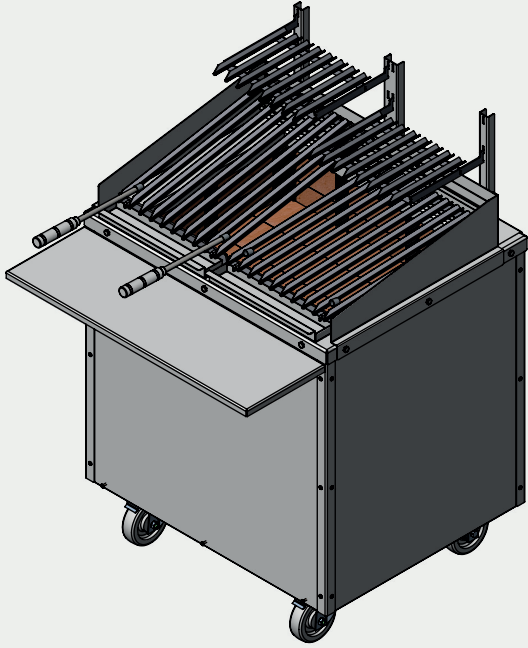
🌐 www.zafill.com

📷 @zafillusa

PROFESSIONAL GRILLS

Model 620

Length: Grill	Cooking Area
31 1/2"	28 1/2 x 21 1/2"



Model 620

Length: Grill	Cooking Area
39 1/2"	36 1/2 x 21 1/2"

