



PROFESSIONAL PARRILLA 695



FEATURES | BENEFITS

SINGLE MODULE

Professional Barbecue Brazilian Grill Scheer - Parrilla composed of a single module.

THERMAL INSULATION

The heat is kept in the fire pit of the barbecue, generating coal savings compared to conventional masonry equipment.

MANUAL GRILL OPERATION

Manual lifting using the side wheel.

HIGH QUALITY

Equipment designed and built with high quality to provide the best barbecue performance and greater durability in professional use.

READY TO USE

No masonry construction required.





GRILLS OPTIONS

Standard with V shaped Grills made of carbon steel. Options in Stainless Steel V-shape, Stainless Steel U Shape, Stainless Steel round bars, carbon steel round bars and Flat Shape or partial style grills.

CLEANING

Equipment coated in brushed stainless steel 304 or 430 stainless steel with castors to move the barbecue and removable grills that facilitates the operation and cleaning.

SCHEER CHURRASQUEIRAS
R. Roque Callege, 133
Cep: 95041-440 - Universitário
Caxias do Sul | RS | Brasil

    @scheerchurrasqueiras

BRAZIL
+55 54 3224.3066
SCHEER.COM.BR

JAPAN
+81 3 3280 1035
KYODAIMARKET.COM

UNITED STATES
+1 954 4152161
SCHEERUSA.COM

AUSTRALIA
+61 2 9986 2004
PROLINEEQUIPMENT.COM.AU

EUROPE
+31 6 82902464

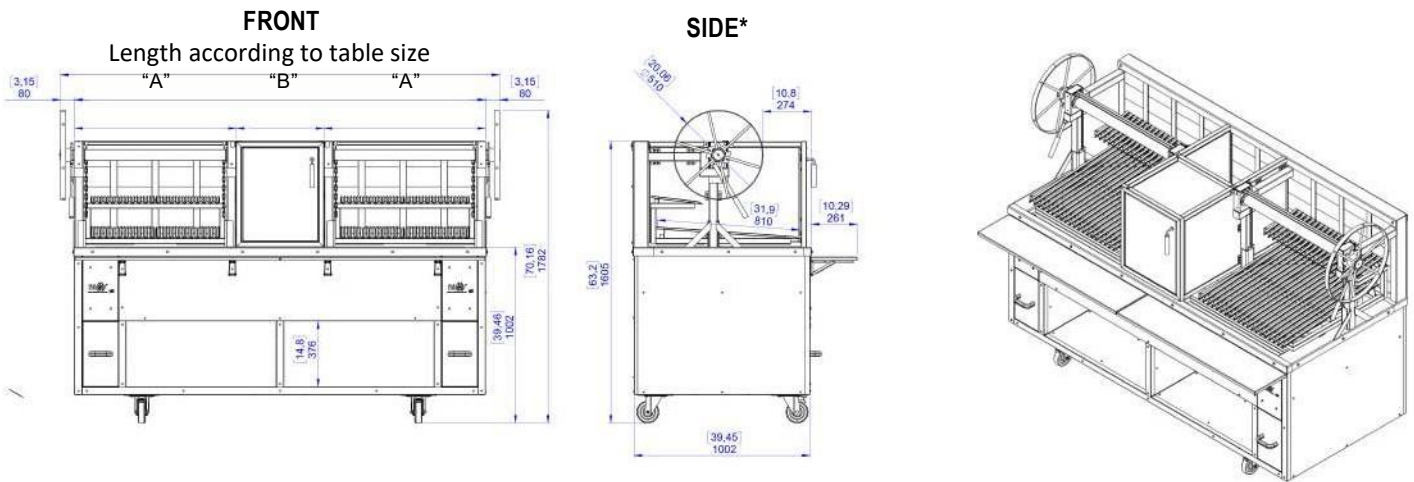


TABLE SIZE

Parrilla Overalllength "A" (mm)	Cooking Area Length (mm)	Firelighter Overalllength "B" (mm)	Depth (mm)	Height (mm)
600+80 (wheel)	400 x 810	500 600 700 800	1000	1610+170 (wheel)
800+80 (wheel)	600 x 810			
1000+80 (wheel)	800 x 810			
1200+80 (wheel)	1000 x 810			
1500+80 (wheel)	1300 x 810			

The overall length of this equipment is 2.800 mm. For lager sizes, ask for Parrilla model 690.

INFORMATION

FIRE BOX HEIGHT

Standard brick height up to grill: 200mm . If you need another measure, request the feasibility of changing the project.

ELECTRICITY

This machine does not require electrical installation. 100% manual activation.

EXHAUSTION

Equipment requires the installation of an exhaust fan to eliminate smoke' spread. Check your local fire specifications and health regulations. Ventilation calculations need to be confirmed by a mechanical ventilation specialist, local consultant or contractor to ensure that the system meets local specifications.

OPTIONAL ITEMS

- Fixed/Movable Front counter with or without GN Tray gaps.
- Ash Drawer: Possible only if there is NO Brazier included.
- Steel Type: Available in stainless steel 304 and 430 (up to the threshold). The part below the threshold is produced in black version.

ACCESSORIES

- Charcoal compartment;
- Fire Box (central or side);
- V-grills made of carbon steel or stainless steel with a fat collector drawer;
- Round bar grills, U-shaped flat grill for fish;
- Possibility of engraving the buyer's logo on the fire box door.