

# TRE 900

## Cooktop



### EQUIPMENT SHEET | TRE 900 Cooktop

#### AVAILABLE SIZES

- Equipment available in 4 sizes: 1570mm/61,81" with 7 skewers and 1970mm/77,55" with 11 skewers.

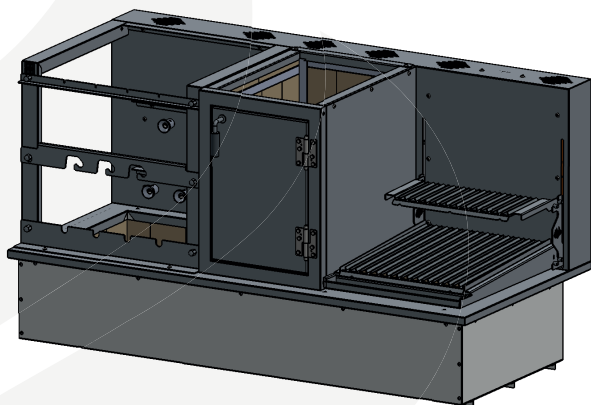
Equipment Measurement (Grill + Rotisserie)
585+400+585mm/23,03+15,74+23,03" (total length 1570mm/61,81")
585+400+785mm/23,03+15,74+30,90" (total length 1770mm/69,68")
785+400+585mm/30,90+15,74+23,03" (total length 1770mm/69,68")
785+400+785mm/30,90+15,74+30,90" (total length 1970mm/77,55")

#### BENEFITS

- Possibility of roasting meat on the grill and skewers at the same time;
- Equipment with individual motors for the parrilla and rotisserie sections, allowing the barbecuer to control the rotisserie speed and grill level automatically and individually.;
- Parrilla with V-shaped grill with fat collector;
- Firebox with thermal insulation and refractory bricks for separate burning of wood or coal.

#### EQUIPMENT INSTALLATION

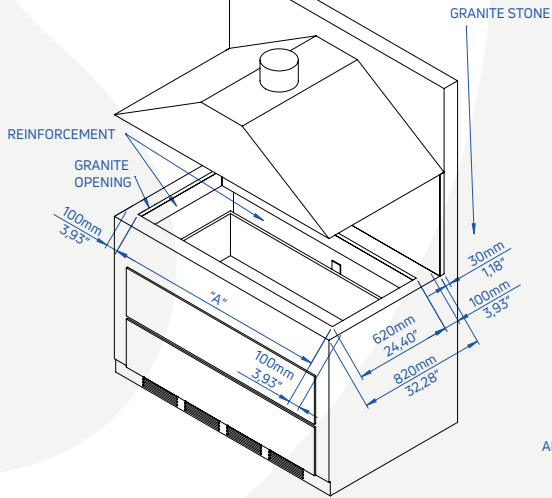
- Easy installation, just place the equipment inside the bench and plug it in;
- Do not install the product exposed to the weather or sea air.



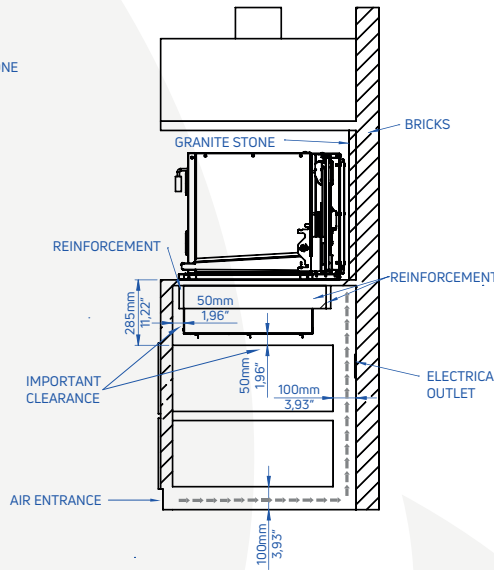
Example of the photo: Tre 900 Cooktop - 585 + 400 + 585mm/23,03 + 15,74 + 23,03"

## COOKTOP INSTALLATION

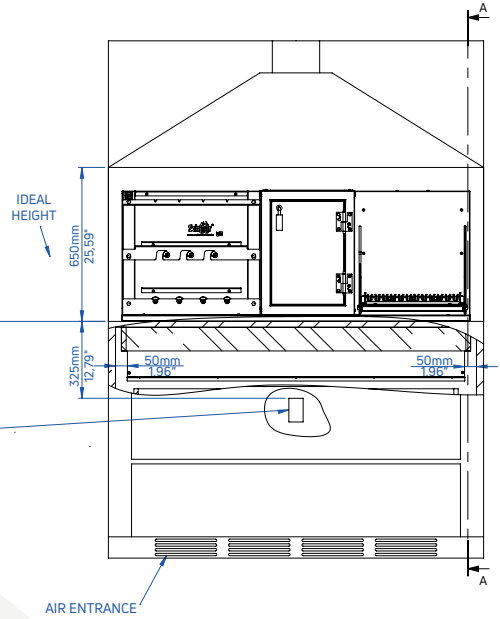
PROJECTED VIEW



CUTTING SIDE VIEW



FRONT VIEW



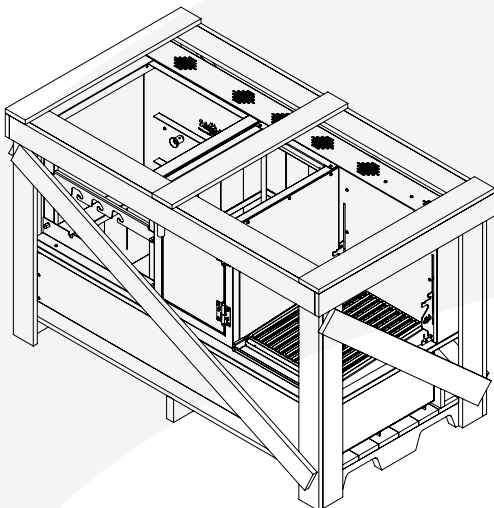
Section A

MEASUREMENT TABLE A

Equipment Measurement (Grill + Firebox + Rotisserie)	Measure A
585+400+585mm/23,03+15,74+23,03" (total length 1570mm/61,81in)	1535mm/60,43"
585+400+785mm/23,03+15,74+30,90" (total length 1770mm/69,68")	1735mm/68,30"
785+400+585mm/30,90+15,74+23,03" (total length 1770mm/69,68")	1735mm/68,30"
785+400+785mm/30,90+15,74+30,90" (total length 1970mm/77,55")	1935mm/76,18"

- All dimensions in millimeters (mm) and inches (").
- Other dimensions upon request.
- It is recommended to install a hood with a suction system to eliminate gases and smoke generated by burning coal and to remove heat generated inside the bench.
- The width of the hood must be greater than the width of the equipment.

## EQUIPMENT PACKAGING



WEIGHTS AND MEASURES CONSIDERING STANDARD MEASUREMENT

Size of Equipment	Weight (net)	Dimensions with packaging (in millimeters and inches)	Weight (gross)
585+400+585mm/23,03+15,74+23,03"	199Kg/434lb	1840 x 880 x 970mm/72,44 x 34,64 x 38,18"	216Kg/476lb
585+400+785mm/23,03+15,74+30,90"	224Kg/494lb	2040 x 880 x 970mm/80,31 x 34,64 x 38,18"	243Kg/536lb
785+400+785mm/30,90+15,74+30,90"	249Kg/549lb	2240 x 880 x 970mm/88,18 x 34,64 x 38,18"	271Kg/597lb
785+400+585mm/30,90+15,74+23,03"	224Kg/494lb	2040 x 880 x 970mm/80,31 x 34,64 x 38,18"	243Kg/536lb



## OPTIONAL ACCESSORIES



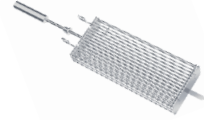
Mini skewer



Tambour Skewer



Rotating Grill 3"



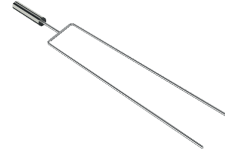
Rotating Grill 6"



5 Prongs Skewer



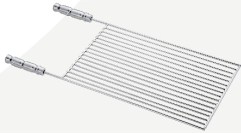
Triple



Double



Single



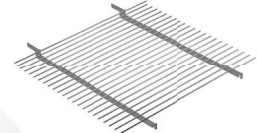
Round Bar Grill



Fish Grill



V Shaped Grill



Top Rest

## IMPORTANT

- It is possible to use combustible materials, as long as they are inside the firebox;
- Burning wood must only be done inside the firebox, allowing the use of firewood, wood or sticks on the barbecue.

### SCHEER CHURRASQUEIRAS E PARRILLAS

Address: KM 148, BR-116, 17204 | CEP 95054-780  
Sagrada Família | Caxias do Sul | RS | Brasil

Website: [www.scheer.com.br](http://www.scheer.com.br)  
Contact: +55 54 3224.3066  
E-mail: [scheer@scheer.com.br](mailto:scheer@scheer.com.br)



#### USA:

+1 9544152161 – ZAFILL.COM

#### EUROPE:

+31 6 82902464 – ABMBBQ.NL

#### JAPAN:

+81 3 3280 1035 – SCHEER.JP

#### AUSTRALIA:

+61 2 9986 2004 – PROLINEEQUIPMENT.COM.AU

#### SOUTH AFRICA:

+27 11 568 4598 – SCHEER.CO.ZA

