

# MENDOZA 801

Firepit



## EQUIPMENT SHEET | MENDOZA 801 Firepit

### AVAILABLE SIZES

- Equipment available in 2 sizes: 585mm/23.03" and 785mm/30.90".

### BENEFITS

- Stainless steel structure, ensuring robustness, corrosion resistance and excellent durability to the equipment;
- Steering wheel with antireverse technology (grill remains at the desired height without the need for locking);
- Firepit for bench with refractory bricks and thermal insulation.

### EQUIPMENT INSTALLATION

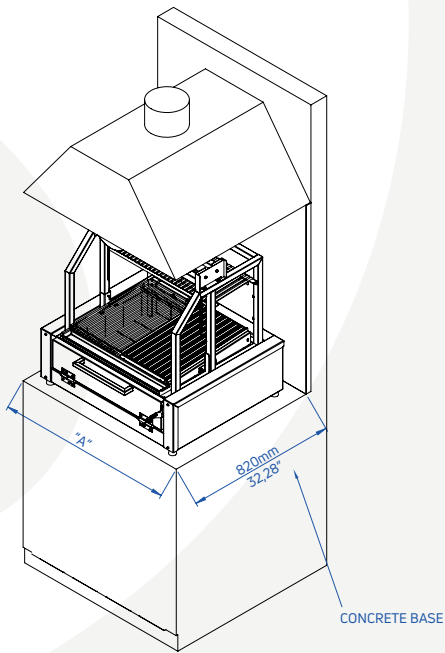
- Easy installation, just place the equipment inside the bench;
- Do not install the product exposed to the weather or sea air.



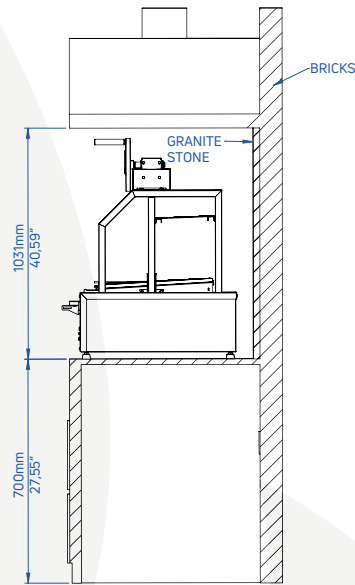
Example of the photo: Parrilla Mendoza 801 - 585mm/23,03"

## FIREPIT INSTALLATION

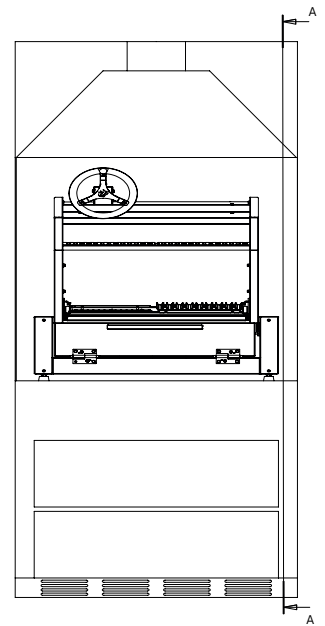
PROJECTED VIEW



CUTTING SIDE VIEW



FRONT VIEW

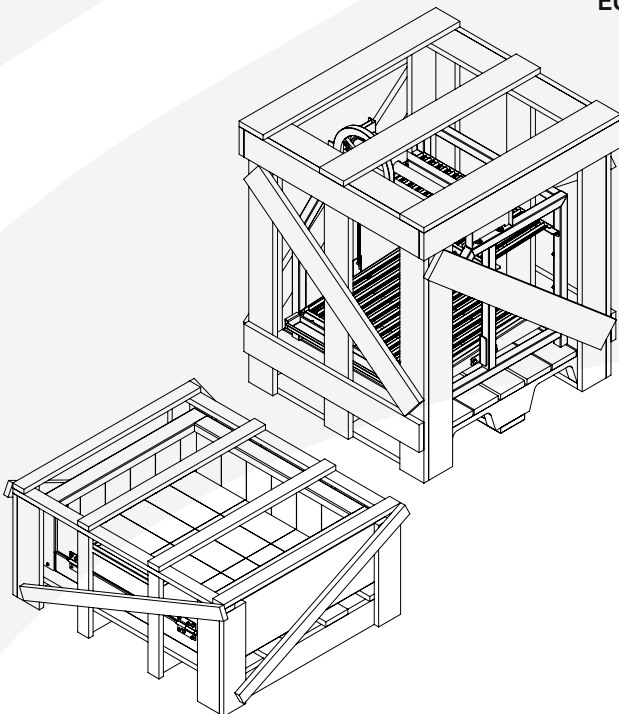


MEASUREMENT TABLE A

Equipment Measurement	Measure A
585mm/23,03"	920mm/36,22"
785mm/30,90"	1120mm/44,09"

- All dimensions in millimeters (mm) and inches (").
- Other dimensions upon request.
- It is recommended to install a hood with a suction system to eliminate gases and smoke generated by burning coal and to remove heat generated inside the bench.
- The width of the hood must be greater than the width of the equipment.

## EQUIPMENT PACKAGING



WEIGHTS AND MEASURES CONSIDERING STANDARD MEASUREMENT

Size of Mendoza 801	Weight (net)	Dimensions with packaging (in millimeters and inches)	Weight (gross)
585mm/23,03"	133Kg/293lb	800 x 750 x 1060mm/31,49 x 29,52 x 41,73"	160Kg/353lb
785mm/30,90"	178Kg/392lb	1000 x 750 x 1060mm/39,37 x 29,52 x 41,73"	215Kg/474lb

WEIGHTS AND MEASURES CONSIDERING STANDARD MEASUREMENT

Size of Firepit	Weight (net)	Dimensions with packaging (in millimeters and inches)	Weight (gross)
720mm/23,03"	126Kg/278lb	890 x 970 x 490mm/35,03 x 34,25 x 19,29"	151Kg/332lb
785mm/30,90"	145Kg/320lb	1090 x 870 x 490mm/42,91 x 34,25 x 19,29"	175Kg/385lb



## OPTIONAL ACCESSORIES

To make your barbecue even better, Scheer offers you accessories of the highest quality and performance.



Charcoal Spreader

## IMPORTANT

- Use charcoal only. Any other combustible material will damage your grill;
- Do not use firewood, wood or sticks on the barbecue;

### SCHEER CHURRASQUEIRAS E PARRILLAS

Address: KM 148, BR-116, 17204 | CEP 95054-780  
Sagrada Família | Caxias do Sul | RS | Brasil

Website: [www.scheer.com.br](http://www.scheer.com.br)  
Contact: +55 54 3224.3066  
E-mail: [scheer@scheer.com.br](mailto:scheer@scheer.com.br)



### USA:

+1 9544152161 – ZAFILL.COM

### EUROPE:

+31 6 82902464 – ABMBBQ.NL

### JAPAN:

+81 3 3280 1035 – SCHEER.JP

### AUSTRALIA:

+61 2 9986 2004 – PROLINEEQUIPMENT.COM.AU

### SOUTH AFRICA:

+27 11 568 4598 – SCHEER.CO.ZA

