

DUE 600

Cooktop



EQUIPMENT SHEET | DUE 600 Cooktop

AVAILABLE SIZES

- Equipment available in 4 sizes: from 1170mm/46.06" with 7 skewers to 1570mm/61.81" with 11 skewers.

Equipment Measurement (Grill + Rotisserie)
585+585mm/23,03+23,03" (total length 1170mm/46,06")
585+785mm/23,03+30,90" (total length 1370mm/53,93")
785+585mm/30,90+23,03" (total length 1170mm/46,06")
785+785mm/30,90+30,90" (total length 1570mm/61,81")

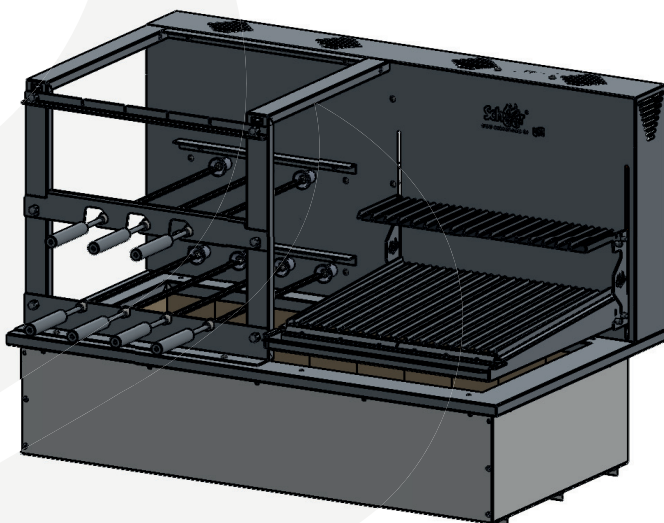
BENEFITS

- Automated grill and rotating spit system;
- Product intended for grills and rotating skewers;

EQUIPMENT INSTALLATION

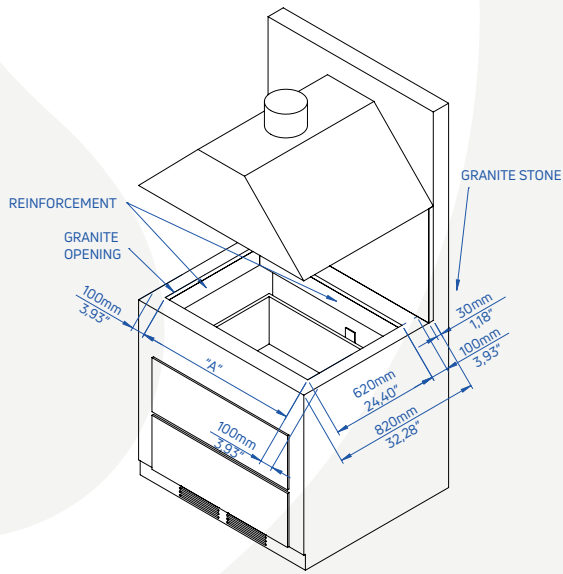
- Easy installation, just fit the equipment inside the bench and plug it into the socket;
- Do not install the product exposed to the weather or sea air.

Example of the photo: Due 600 Cooktop - 785 + 585mm/30,90 + 23,03"

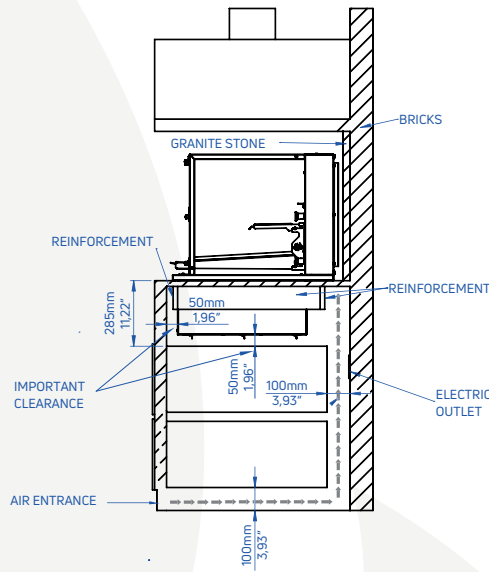


COOKTOP INSTALLATION

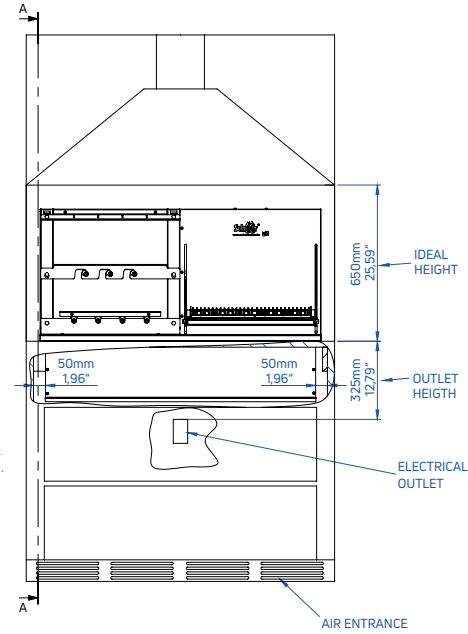
PROJECTED VIEW



CUTTING SIDE VIEW



FRONT VIEW



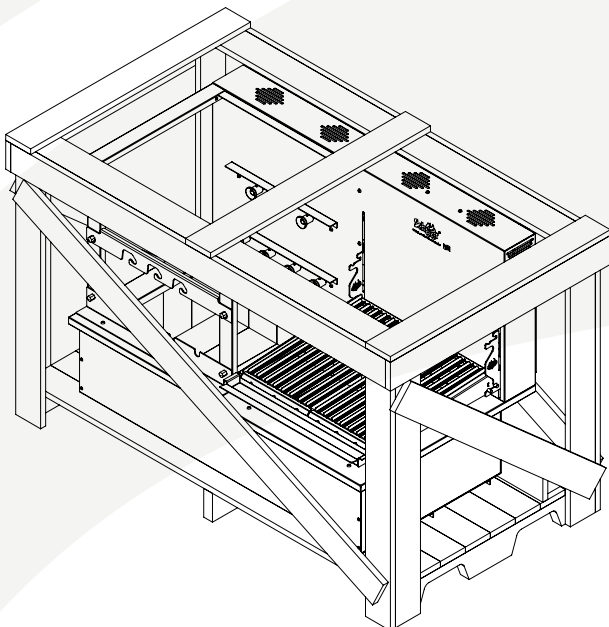
Seção A

MEASUREMENT TABLE A

Equipment Measurement (Grill + Rotisserie)	Measure A
585+585mm/23,03+23,03" (total length 1170mm/46,06")	1135mm/44,68"
585+785mm/23,03+30,90" (total length 1370mm/53,93")	1335mm/52,55"
785+585mm/30,90+23,03" (total length 1170mm/46,06")	1135mm/44,68"
785+785mm/30,90+30,90" (total length 1570mm/61,81")	1535mm/60,43"

- All dimensions in millimeters (mm) and inches (").
- Other dimensions on request.
- It is recommended to install a hood with a suction system to eliminate the gases and smoke generated by burning coal and to remove the heat generated inside the bench.
- The width of the hood must be greater than the width of the equipment.

EQUIPMENT PACKAGING



WEIGHTS AND MEASURES CONSIDERING STANDARD MEASUREMENT

Size of Equipment	Weight (net)	Dimensions with packaging (in millimeters and inches)	Weight (gross)
585+585mm/23,03+23,03"	134Kg/295lb	1540 x 880 x 970mm/60,62 x 34,64 x 38,18"	172Kg/379lb
585+785mm/23,03+30,90"	157Kg/346lb	1740 x 880 x 970mm/68,50 x 34,64 x 38,18"	201Kg/443lb
785+585mm/30,90+23,03"	157Kg/346lb	1740 x 880 x 970mm/68,50 x 34,64 x 38,18"	201Kg/443lb
785+785mm/30,90+30,90"	180Kg/396lb	1940 x 880 x 970mm/76,37 x 34,64 x 38,18"	231Kg/509lb



OPTIONAL ACCESSORIES



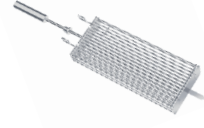
Mini skewer



Tambour Skewer



Rotating Grill 3"



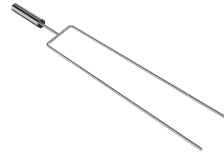
Rotating Grill 6"



5 Prongs Skewer



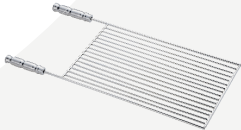
Triple



Double



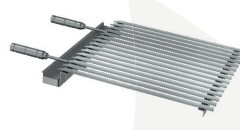
Single



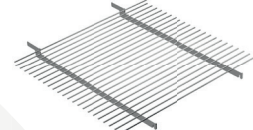
Round Bar Grill



Fish Grill



V Shaped Grill



Top Rest

IMPORTANT

- Use charcoal only. Any other combustible material will damage your grill;
- Do not use firewood, wood or sticks on the barbecue;

SCHEER CHURRASQUEIRAS E PARRILLAS

Address: KM 148, BR-116, 17204 | CEP 95054-780
Sagrada Família | Caxias do Sul | RS | Brasil

Website: www.scheer.com.br
Contact: +55 54 3224.3066
E-mail: scheer@scheer.com.br



USA:

+1 9544152161 – ZAFILL.COM

EUROPE:

+31 6 82902464 – ABMBBQ.NL

JAPAN:

+81 3 3280 1035 – SCHEER.JP

AUSTRALIA:

+61 2 9986 2004 – PROLINEEQUIPMENT.COM.AU

SOUTH AFRICA:

+27 11 568 4598 – SCHEER.CO.ZA

