



## HIGH PERFORMANCE

# GAS PARRILLA GRILL LV 620A



EXAMPLE PHOTO 1M WIDE LV 620A  
WITH OPTIONAL REST GRILL

SCHEER CHURRASQUEIRAS  
RUA ROQUE CALLEGE, 133 |  
CEP 95041-440 |  
BAIRRO UNIVERSITÁRIO |  
CAXIAS DO SUL | RS | BRAZIL

BRAZIL:  
+55 54 3224.3066  
SCHEER.COM.BR

UNITED STATES:  
+1 954 4152161  
SCHEERUSA.COM

JAPAN:  
+81 3 3280 1035

AUSTRALIA:  
+61 2 9986 2004  
PROLINEEQUIPMENT.COM.AU



## FEATURES | BENEFITS

### SIZES AVAILABLE

- Equipment's length customized according to the customer needs from 1,00m up to 2,00m. See table page 2.

### HYGIENE

- Equipment coated in brushed stainless steel AISI 304 or AISI 430 (please specify when ordering);

### BURNERS

- Full 304 Stainless steel burners with burner covers.

### EASY GAS CONTROL

- Two Hi-Lo gas controls with automatic shutoff gas valve, tube pilot flame and battery spark ignitor;

### LAVA ROCK

- Models can be used with and without Lava Rocks. Lava rocks add extra cooking temperature and flavour.

### BLACK COLOR OPTIONAL

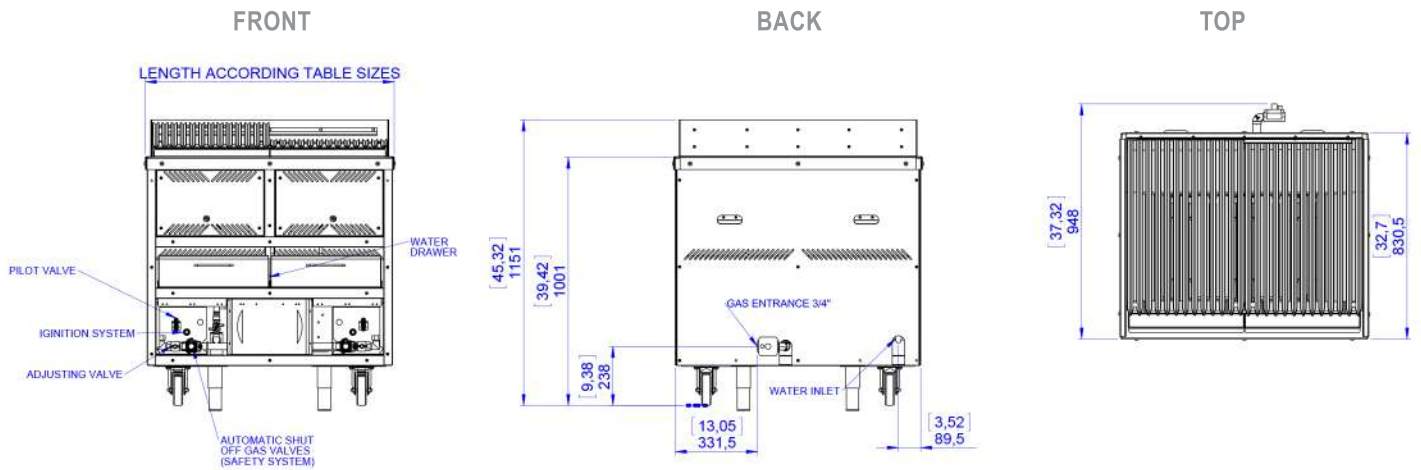
- Black powder coated exterior panels available as an option, use letter "B" at the end of model number.

### GRIDS

- Grid Options: Round bar grill, U Shape Grill or V Shape Grill (carbon steel or stainless steel);
- Removable handles for removing & adjusting grids.

### MACHINE STRUCTURE

- Internal frame is heavy duty carbon steel painted square tube frame;
- Stainless AISI 430/304 exterior;
- Lockable casters which helps movement for maintenance and cleaning. Adjustable legs for levelling;
- Water drawer to collect grease;
- Two years parts and labor warranty from date of purchase.



### TABLE SIZES (MILIMETERS)

OPEN STYLE PARRILLA	WIDTH	BURNERS	GAS VALVES
1.0m	1000mm	10	2
1.2m	1200mm	12	2
1.5m	1500mm	16	2
1.80m	1800mm	18	2
2.00m	2000mm	20	2

### UTILITY INFORMATION

#### GAS

- Machine length up to 1m has one gas inlet, machines length bigger than 1m have two gas inlets;
- Natural gas or propane gas available. Please specify when ordering.

#### ELECTRICITY:

- This machine does not require electricity.

#### MISCELLANEOUS

- This installation must conform according local codes (AS/NZS 5601). In the absence of local codes, the installation must conform to the National Fuel Gas Code, ANSI Z223.1, Natural Gas Installation Code, CAN/CGA-B149.2, or the Propane Installation Code, CAN/CGA-149.2. For installation under ventilation hood only. The manufacturer is not responsible for installation.

#### OPTIONAL

- Rest grill.

WIDTH	COOKING AREA LENGHT	/	DEPTH
1000mm	880 / 34,64"	/	705,5 / 27,77"
1200mm	1080 / 42,51"	/	705,5 / 27,77"
1500mm	1380 / 54,33"	/	705,5 / 27,77"
1800mm	1680 / 66,14"	/	705,5 / 27,77"
2000mm	1880 / 74,01"	/	705,5 / 27,77"

#### GAS

DESCRIPTION	NATURAL GAS	UNIVERSAL LPG
1.0m Wide – 10 Burners	186MJ/h (2x93MJ/h burners)	186MJ/h
1.2m Wide – 12 Burners	215MJ/h	215MJ/h
1.5m Wide – 16 Burners	286MJ/h	286MJ/h
1.8m Wide – 18 Burners	322MJ/h	322MJ/h
2.0m Wide – 20 Burners	344MJ/h (2x172MJ/h burners)	344MJ/h

#### MANIFOLD GAS PRESSURE (teste point on appliance):

- Natural Gas: 0.80kPa;
- Universal LPG: 2.60kPa;

#### SUPPLY PRESSURE

- Natural Gas: 1 - 1.15 kPa;
- Universal LPG: 2.75 kPa