



Churrasqueiras e Parrillas

FEATURES AND BENEFITS

HIGH PERFORMANCE

BBQ ROTISSERIE COOKTOP 550



EXEMPLE PHOTO: COOKTOP BBQ
EQUIPMENT ROTISSERIE SYSTEM WITH 11
SKEWERS

COSTUMIZED SIZES

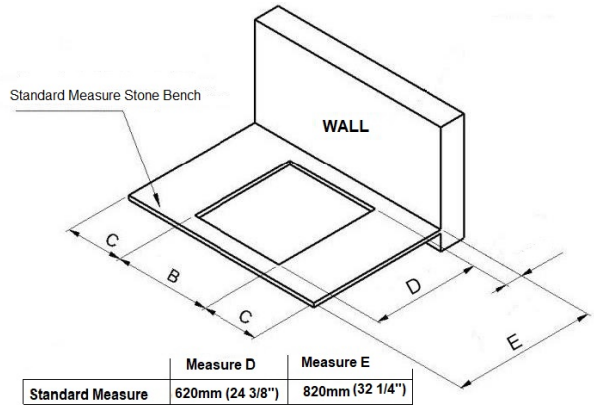
Equipment available in 2 sizes: 585mm with 7 skewers or 785mm 11 skewers.

BENEFITS

Rotisserie system with flat grill option;
On / Off Button;
Rear edge bar for flat grill;
Rotisserie system with two speeds: sealing and roasting;
Cooktop equipment fully integrated into kitchens, gourmet spaces or balconies;

EQUIPMENT INSTALLATION

No need of masonry construction;
Skewers made with stainless steel blade;
Do not install the product exposed to the weather.



MODEL

7 Skewers - 585mm - 23"
11 Skewers - 785mm - 7/8"

MEASURE B

550mm - 21 5/8"
750mm - 29 1/8"

MEASURE C

>= 100mm - 4"
>= 100mm - 4"

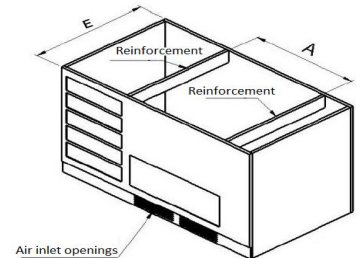
*Note: The thickness of the granite counter top must not be less than 20mm.

MODEL

7 Skewers
11 Skewers

MEASURE A

785mm - 30 7/8"
985mm - 38 3/4"



SCHEER CHURRASQUEIRAS RUA
ROQUE CALLEGE, 133 | CEP
95041-440 | UNIVERSITÁRIO |
CAXIAS DO SUL | RS | BRASIL

BRASIL:

+55 54 3224.3066=
SCHEER.COM.BR

UNITED STATES:

+1 954 4152161=
ZAFILL.COM

EUROPE

+31 6 82902464

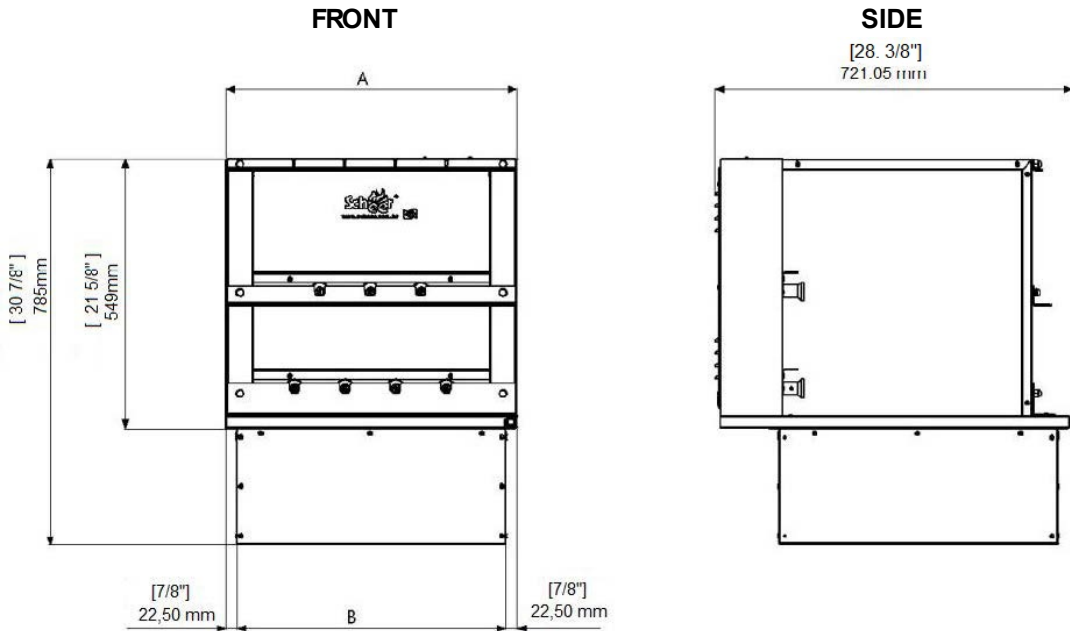
JAPAN:

+81 3 3280 1035=
KYODAIMARKET.COM

AUSTRÁLIA:

+61 2 9986 2004=
PROLINEEQUIPMENT.COM.AU





EXTERNAL MEASURES

MODEL	MEASURE A	MEASURE B	CHARCOAL CAPACITY
7 Skewers - 585 mm	585 mm (23")	540 mm (21 1/4")	Up to 3kg (6,61lb)
11 Skewers - 785 mm	785 mm (30 7/8")	740 mm (29 1/8")	Up to 4kg (8,81lb)

INSTALLATION INFORMATION STANDARD BENCH

EQUIPMENT WEIGHT		PACKAGE WEIGHT	PACKAGE EXTERNAL MEASURES		
MODEL	WEIGHT	WEIGHT	LENGHT	HEIGHT	WIDTH
585mm (23")	74Kg (163lbs)	26Kg (57 lbs)	755 mm (29")	880 mm (34")	950 mm (37")
785mm(30 7/8")	99Kg (218lbs)	29Kg (63 lbs)	955 mm (37")	880 mm (34")	950 mm (37")

ELECTRICITY

- This machine requires motor 110V or 240V, single phase power;
- Frequency: 50Hz or 60 Hz;
- Cable Length : 1 meter

UTILITY INFORMATIONS

- Product available in stainless steel 430 or 304;
- Use only charcoal, any other combustibile material will damage your BBQ equipment;
- Do not use firewood, wood or kindling to make the fire in the BBQ.