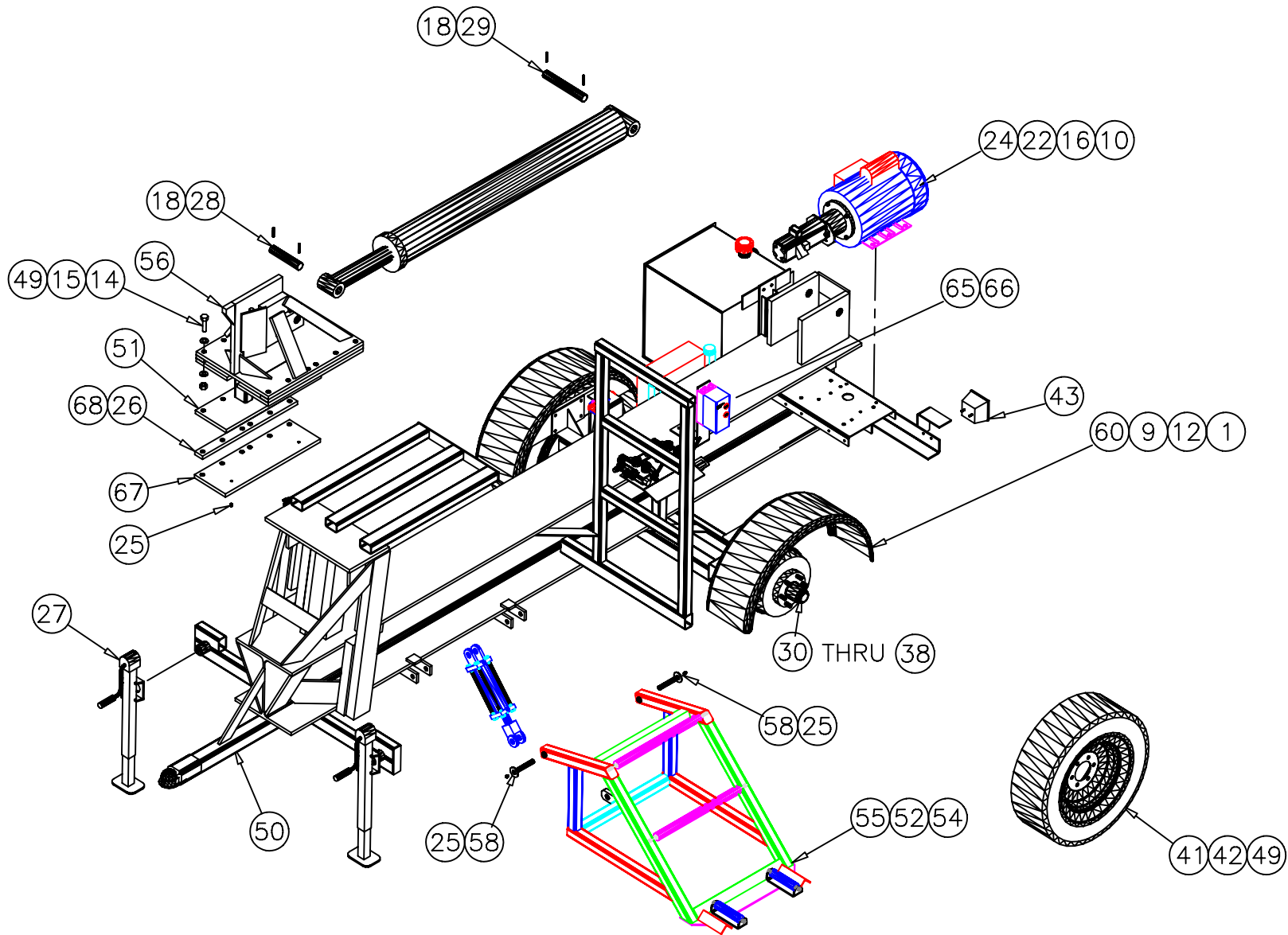


BEGINNING SERIAL NO.1060

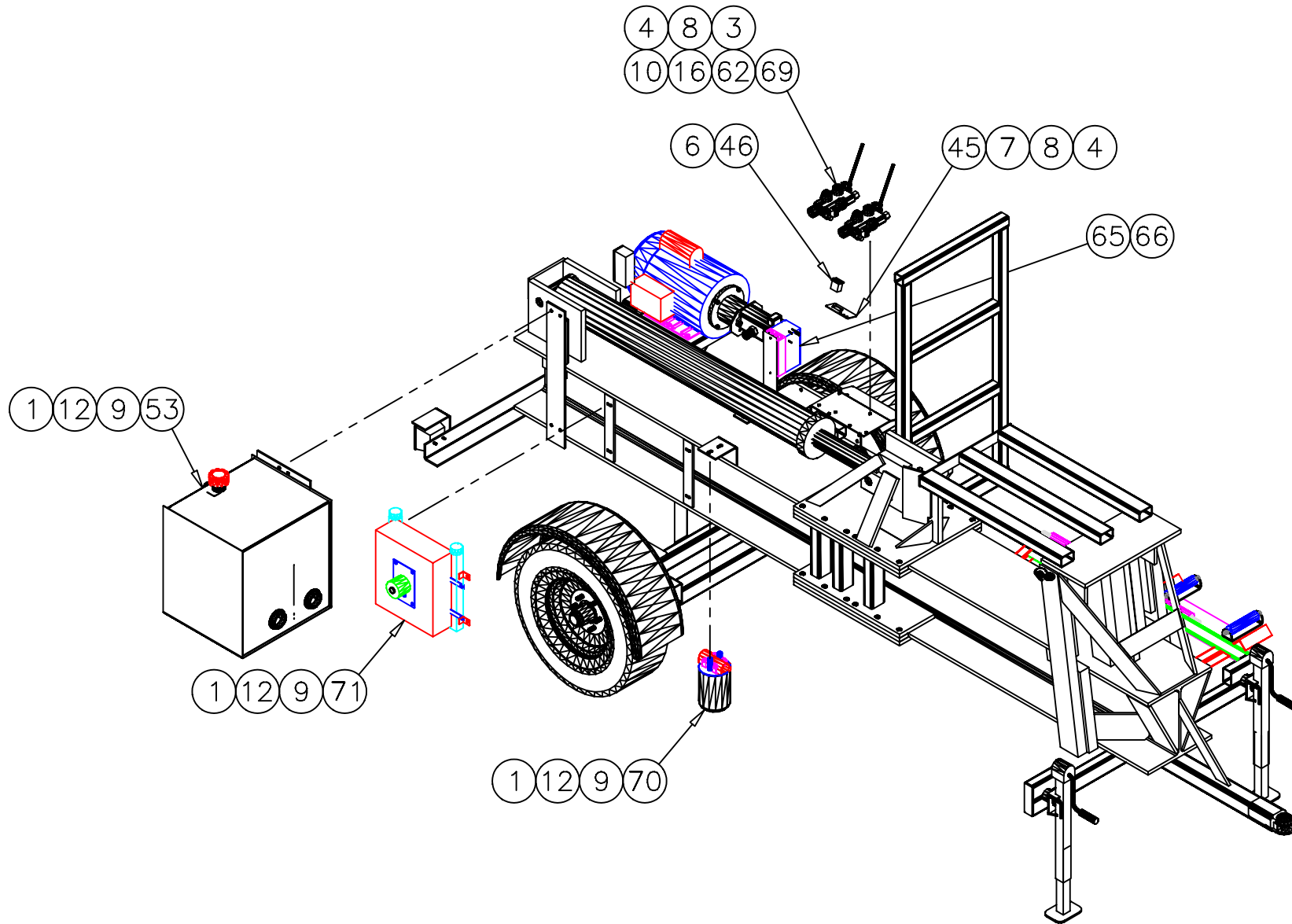
- 2. SEE TSI PN 12061 FOR HYDRAULIC SCHEMATIC.
 - 1. REMOVE ALL BURRS & SHARP EDGES.
- NOTE:

THE SUBJECT OF THIS DRAWING IS SUBMITTED IN CONFIDENCE AND IT AND THE DRAWING WILL AND SHALL REMAIN THE PROPERTY OF TIRE SERVICE EQUIPMENT INC. AND ARE NOT TO BE USED WITHOUT ITS WRITTEN PERMISSION AND APPROVAL. © 2007		MATL: SEE BOM		DESIGNER: M. REDISKE		SCALE: N/A		TIRE SERVICE EQUIPMENT MFG. CO., INC.		MONTICELLO, MN		PART NAME: TC-350 ELECTRIC FINAL ASSEMBLY		QTY PER UNIT: 1	
TOLERANCE UNLESS NOTED: DECIMALS ±.010 FRACTIONS ±1/32 ANGLES ±1/2°		DR. BY: M. REDISKE		DATE: 7/09/07		INT:		REV		USED ON: TC-350		DESCRIPTION		SHEET: 1 OF 3	
										C		DWG NO. 6154			



NOTE: 1. REMOVE ALL BURRS & SHARP EDGES.

THE SUBJECT OF THIS DRAWING IS SUBMITTED IN CONFIDENCE AND IT AND THE DRAWING WILL REMAIN THE PROPERTY OF TIRE SERVICE EQUIPMENT INC. AND ARE NOT TO BE USED WITHOUT ITS WRITTEN PERMISSION AND APPROVAL. © 2007		MATL: SEE BOM		DESIGNER: M. REDISKE DR. BY: M. REDISKE CH. BY:		SCALE: N/A DATE: 7/09/07 INT:		TSI MONTICELLO, MN TIRE SERVICE EQUIPMENT MFG. CO., INC.		PART NAME: TC-350 ELECTRIC FINAL ASSEMBLY DWG NO. 6154		REV: _____ USED ON: TC-350 QTY PER UNIT:		DESCRIPTION: _____ SHEET: 2 OF 3		DATE: _____	
--	--	---------------	--	---	--	-------------------------------------	--	---	--	---	--	--	--	-------------------------------------	--	-------------	--



NOTE: 1. REMOVE ALL BURRS & SHARP EDGES.

THE SUBJECT OF THIS DRAWING IS SUBMITTED IN CONFIDENCE AND IT AND THE DRAWING WILL REMAIN THE PROPERTY OF TIRE SERVICE EQUIPMENT INC. AND ARE NOT TO BE USED WITHOUT ITS WRITTEN PERMISSION AND APPROVAL. © 2007		MAT'L: SEE BOM	DESIGNER: M. REDISKE DR. BY: M. REDISKE CH. BY:	SCALE: N/A DATE: 7/09/07 INT:	TSI MONTICELLO, MN TIRE SERVICE EQUIPMENT MFG. CO., INC.	PART NAME: TC-350 ELECTRIC FINAL ASSEMBLY DWG NO. 6154	USED ON: TC-350 SHEET: 3 OF 3	DATE:
TOLERANCE UNLESS NOTED: DECIMALS ±.010 FRACTIONS ±1/32 ANGLES ±1/2°						QTY PER UNIT:		



TC-350

ELECTRIC REPAIR PARTS BOM

PN: 6154
 BEGINNING SERIAL NO.1060
 8/28/2007

PARTS LIST			
ITEM	PART NO.	DESCRIPTION	QTY
1	212	NUT, SELF LOCK 3/8-16	12
2	223	NUT, SELF LOCK 1/2-13	8
3	225	CAP SCREW 1/4-20 X 2	1
4	226	NUT, SELF LOCK 1/4-20	5
5	272	CAP SCREW 1/2-13 X 1-3/4 GR8	4
6	365.028	MACH SCREW 10-32 X 3/8	2
7	444	CAP SCREW 1/4-20 X 1	4
8	445	WASHER, FLAT 1/4	12
9	447	CAP SCREW 3/8-16 X 1-1/4	14
10	566	NUT, SELF LOCK 5/16-18	20
11	583	SET SCREW 5/16-18 X 1/2	1
12	759	WASHER, FLAT 3/8	18
13	806	CONNECTOR, ELECTRIC, 90 DEGREES	1
14	986	CAP SCREW 5/8-11 X 3-1/2 GR8	18
15	987	WASHER, 5/8 FLAT	36
16	1318	WASHER, FLAT 5/16	30
17	1492	KEY 1/4 X 1	2
18	1840	PIN, SPRING 1/4 X 2	4
19	3031	DECAL - DANGER, WARNING	4
20	3158	DECAL - HYDRAULIC OIL	1
21	3405	CAP SCREW 5/16-18 X 1	6
22	3406	CAP SCREW 5/16-18 X 1-3/4	4
23	3409	WASHER, FLAT 1/2 LARGE	16
24	3477-3-60	MOTOR, ELEC 10HP 3 PH 60 CYCLE 3450RPM	1
25	3501	1/8 NPT STRAIGHT GREASE ZERK	8
26	3583	SPACER WEDGE	3
27	3851	JACK 7000#	2
28	3940	PIN, CYLINDER ROD END	1
29	3941	PIN, CYLINDER REAR	1
30	3951-1	AXLE	1

PARTS LIST			
ITEM	PART NO.	DESCRIPTION	QTY
31	3951-2	HUB	2
32	3951-3	SEAL	2
33	3951-4	INNER BEARING	2
34	3951-5	OUTER BEARING	2
35	3951-6	NUT	2
36	3951-7	CAP	2
37	3951-8	COTTER PIN	2
38	3951-9	LUG BOLT	10
39	3962	WHEEL 15"	2
40	3963	TIRE LT235/75R15 8 PLY	2
41	4213	DECAL - IDENTIFICATION	3
42	4214	DECAL - CAUTION	3
43	4384	LIGHT KIT RUNNING SIGNAL	1
44	4390	DECAL - WHEEL LIFT CRUSHING	1
45	4418	HOUR METER BRACKET	1
46	4426	HOUR METER	1
47	4669	LUG NUT 1/2-20	10
48	4673	SAFETY REFLECTIVE TAPE	1
49	4836	NUT, 5/8-11 HEX LOCK	18
50	5575	MAIN FRAME WELD	1
51	5576	SLIDER WELD	1
52	5582	TIRE ROLLER, FOOT WELD	2
53	5601	OIL RESERVOIR, WELDMENT 30 GALLON	1
54	5624	ROLLER WELD	2
55	5625	TIRE LIFT WELD	1
56	5626	WEDGE, WELDMENT	1
57	5636	CHAIN AND HOOK WELD	1
58	5772	CYLINDER PIN WELDMENT	2
59	5821	SAFETY CHAIN HOOK WELDMENT	1
60	6144	FENDER WELD	2



TC-350

ELECTRIC REPAIR PARTS BOM

PN: 6154
 BEGINNING SERIAL NO.1060
 8/28/2007

PARTS LIST			
ITEM	PART NO.	DESCRIPTION	QTY
61	10067	JAW COUPLING 5/8" BORE	1
62	10084	CAP SCREW 5/16 X 2	5
63	10646	JAW COUPLING 1-3/8" BORE	1
64	10677	CORD, ELEC 12 AWG	1
65	10678	SWITCH, MAGNETIC STARTER	1
66	10683	BRACKET	1
67	12052	LOWER WEDGE BAR	2
68	12057	SPACER, SLIDE SHIM	3
69	3020-1	VALVE, HYDRAULIC	REF
70	3154	HOUSING & FILTER	REF
71	10152	OIL COOLER	REF
72	12061	HYDRAULIC SCHEMATIC	REF
73			
74			
75			
76			
77			
78			
79			
80			
81			
82			
83			
84			
85			
86			
87			
88			
89			
90			

PARTS LIST			
ITEM	PART NO.	DESCRIPTION	QTY
91			
92			
93			
94			
95			
96			
97			
98			
99			
100			
101			
102			
103			
104			
105			
106			
107			
108			
109			
110			
111			
112			
113			
114			
115			
116			
117			
118			
119			
120			