

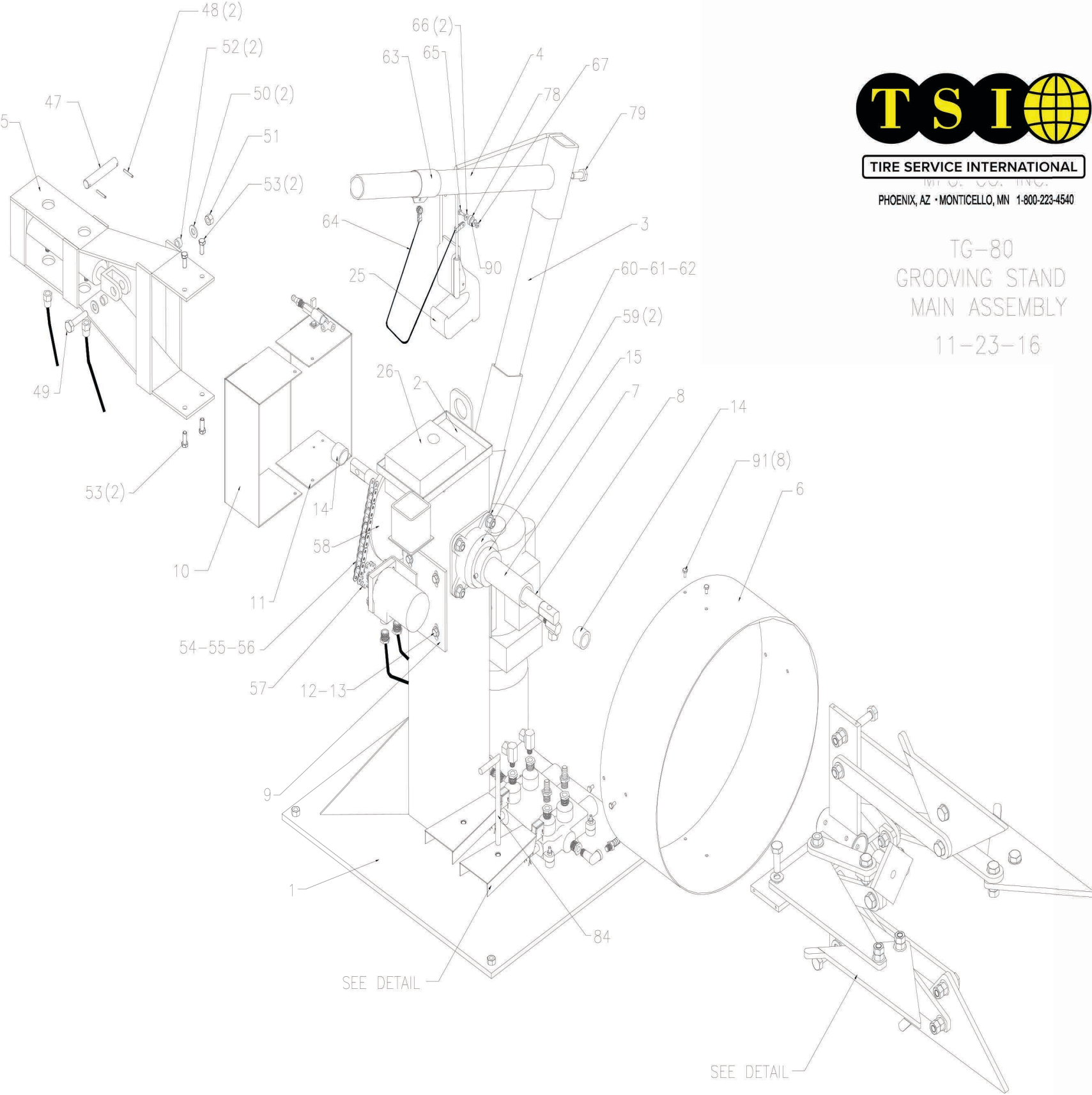


TIRE SERVICE INTERNATIONAL

INCORPORATED

PHOENIX, AZ • MONTICELLO, MN 1-800-223-4540

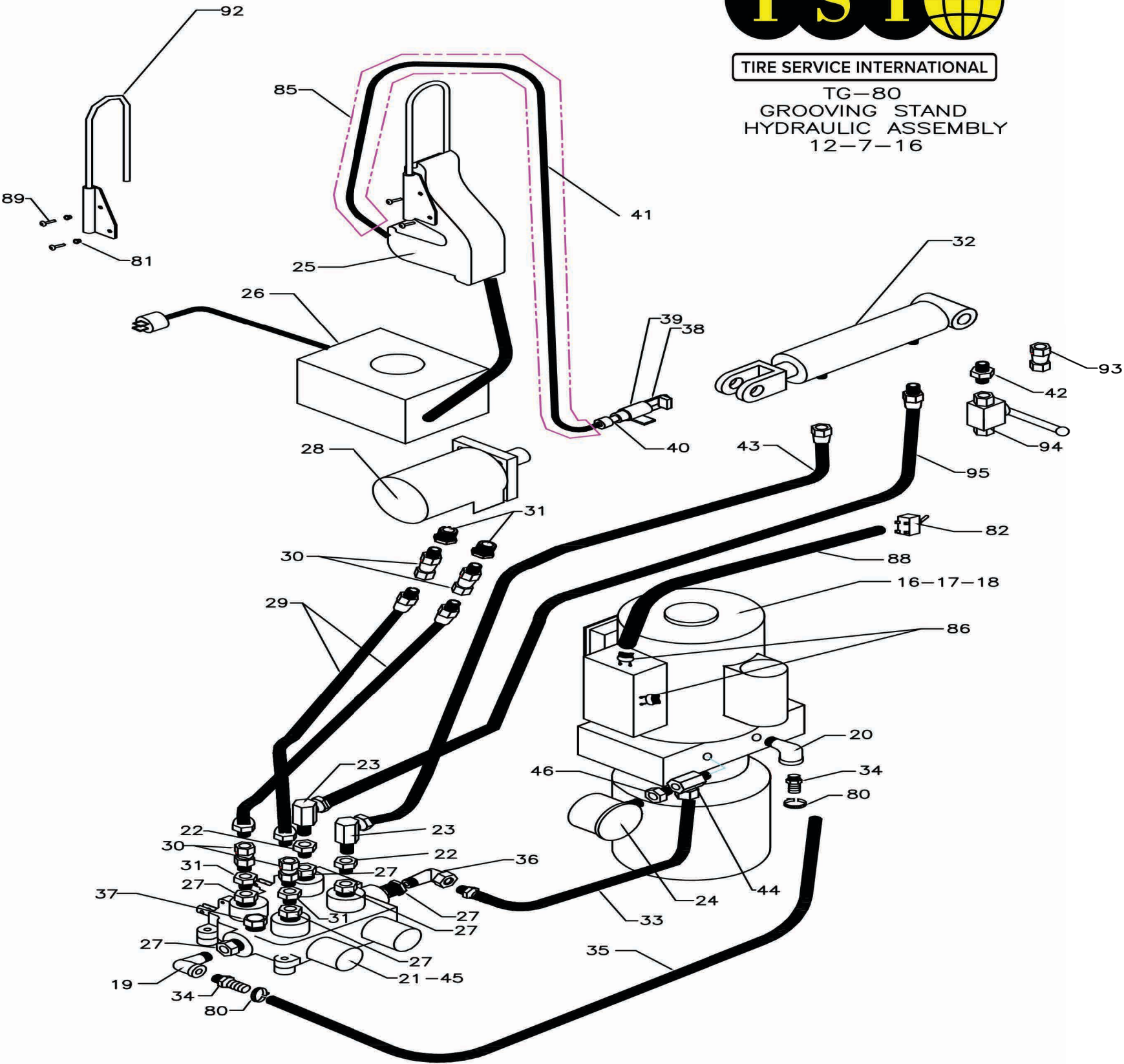
TG-80
GROOVING STAND
MAIN ASSEMBLY
11-23-16





TIRE SERVICE INTERNATIONAL

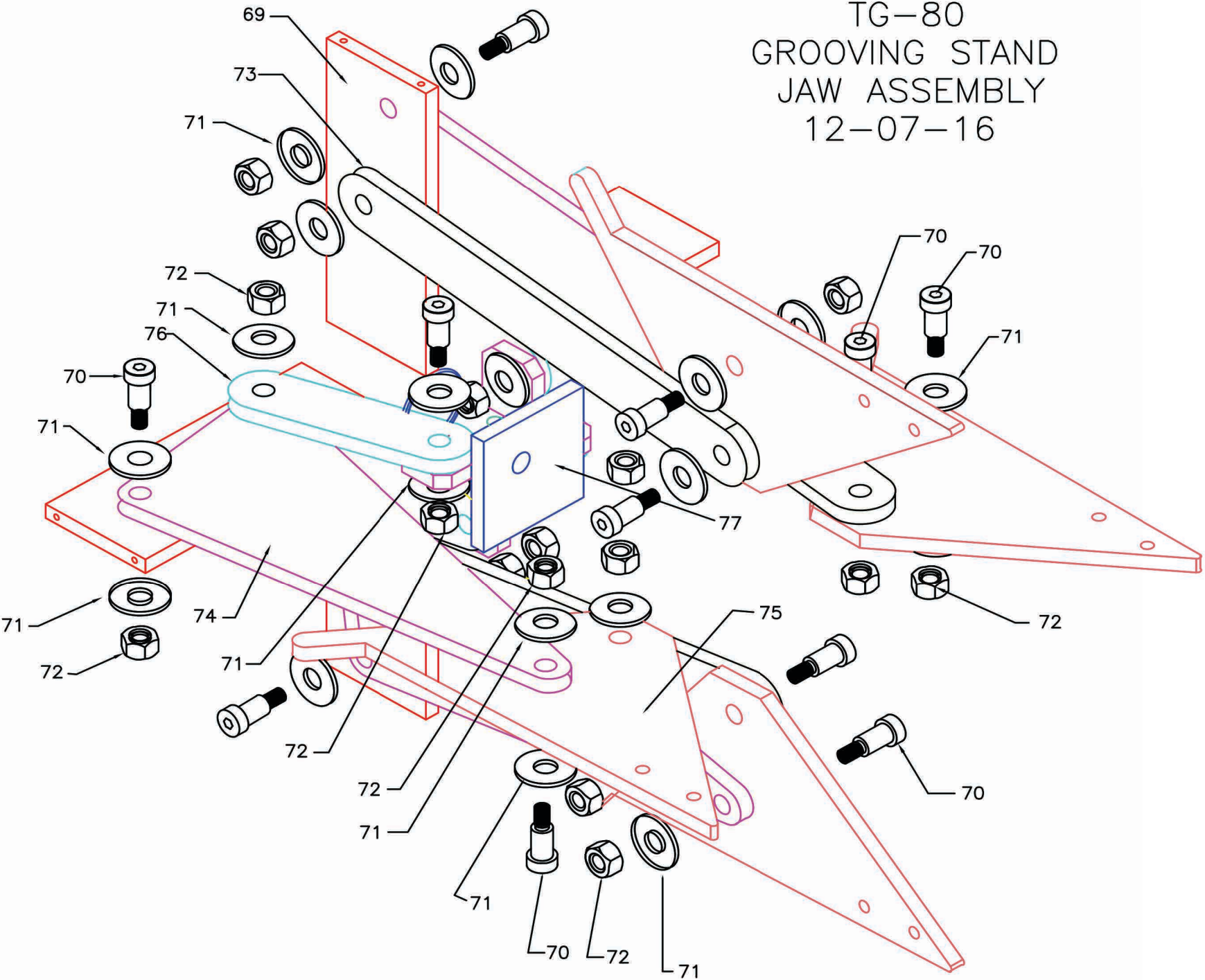
TG-80
GROOVING STAND
HYDRAULIC ASSEMBLY
12-7-16





TIRE SERVICE INTERNATIONAL

TG-80
GROOVING STAND
JAW ASSEMBLY
12-07-16



TG-80

GROOVING STAND

MAIN ASSY BOM

12-7-16

PARTS LIST			
ITEM	PART NO.	DESCRIPTION	QTY
1	5808A	MAIN FRAME WELDMENT	1
2	5818	TRAY WELDMENT	1
3	10364	ARM EXTENTION	1
4	5872	HOOK BRACKET WELDMENT	1
5	5816	CYLINDER BRACE WELDMENT	1
6	10310	GUARD JAW WELDMENT	1
7	10097	SHAFT BUSHING	1
8	10095	SHAFT LONG	1
9	5873	PUMP MOUNTING BRACKET WELDMENT	1
10	5903	COVER, GEAR LH	1
11	5902	COVER, GEAR RH	1
12	1306	CAP SCREW 3/8-16 X 1	8
13	4721	WASHER 3/8- PLATED	8
14	10395	BUSHING, BRASS 1-1/2 OD X 1-1/8 ID X 1	2
15	10138	SET COLLAR, 2" W/ SETSCREW	2
16	10298	ELECTRIC HYDRAULIC POWER UNIT	1
17	3500	CAP SCREW, 3/8-16 X 1-1/2 GRADE 5	4
18	741	WASHER, FLAT 3/8	4
19	10191	ELBOW 3/8-NPT (F) X 1/2-NPT (M) X 90 RIGID	1
20	713	3/8- X 90 STREET ELBOW	1
21	706B	HYDRAULIC VALVE	1
22	357	1/2-X-1/4 RED COUPLER	2
23	904	ELBOW SWIVEL ADAPTER 1/4-NPT 90*	2
24	3019	GAUGE, HYDRAULIC PRESSURE	1
25	RHHG	GUN (RILLFIT GROOVER)	1
26	5904	TEMP CONTROL BOX (RILLFIT GROOVER)	1
27	12876	ADAPTOR FITTING 3/4-16 ORB X 3/4-NPT F	6
28	10300	MOTOR, HYDRAULIC W/ KEYWAY	1
29	3550	HOSE, HYDRAULIC-40" LG FITTED	2
30	10516	SWIVEL ADAPTER UNION STRAIGHT	4

PARTS LIST			
ITEM	PART NO.	DESCRIPTION	QTY
31	715	BUSHING, RED 3/8-X-1/2	4
32	10299	CYLINDER 1-3/4 BORE X 4" stroke	1
33	4041	HOSE, HYDRAULIC RETURN 1/2-100R4-24"	1
34	4208	BARBED HOSE FITTING	2
35	4043	HOSE, HYDRAULIC RETURN 1/2-100R4-34"	1
36	3670	ELBOW, SWIVEL ADAPTOR UNION 90*	1
37	12878	ADAPTOR FITTING 7/8-14 ORB X 3/4-NPT(F)	1
38	4813	VALVE, SHUT-OFF	1
39	5871	HOSE BRACKET ASSY	1
40	340.096	PUSH LOK STRAIGHT 1/4-OD X 1/4-NPT M	1
41	10398	HOSE, PVC BLACK 1/4-OD	1
42	12873	HEX CENTER NIPPLE 1/4-X 1/4-NPT	1
43	10346	HOSE HYDRAULIC 42" LG #6 JIC	2
44	12877	TEE 3/8-(M) X 3/8-(F) X 3/8-(F)	1
45	706B-KIT	KIT FOR HYDRAULIC VALVE	2
46	772	REDUCER COUPLING 1/4-X-3/8	1
47	10361	CYLINDER PIN	1
48	3517	COTTER PIN, 3/16- DIA	2
49	485	CAP SCREW 1/2-13 X 3	1
50	224	WASHER 1/2- PLATED	2
51	22.055	NUT, HEX 1/2-13	1
52	10127	BUSHING	2
53	719	CAP SCREW 3/8-16 X 3/4	4
54	54.066	CHAIN #40	1
55	48.062	HALF LINK	1
56	45.062	CONNECTING LINK	1
57	10345	SPROCKET, SMALL #40 X 12 TOOTH	1
58	10137	SPROCKET, LARGE #40 X 60 TOOTH	1
59	10136	SQUARE FLANGE BEARING	2
60	206	CAP SCREW 1/2-13 X 1-1/2	8

