



# MODEL 3917 - 7 TON FORKLIFT JACK

PART ORDER NUMBER	KIT DESCRIPTION	KIT INCLUDES	
		REF. #	DESCRIPTION
3917K57	WHEEL KIT	55	SNAP RING
		56	WASHER
		57	WHEEL
3917K02	HANDLE TWO PIECE COMPLETE	01	GRIP
		02	HANDLE 2
		03	SCREW 2 REQUIRED
		04	HANDLE 1
3197KRK	REPAIR KIT	8	O-RING 2 REQUIRED
		9	RETAINING RING 10 REQUIRED
		11	FILL PLUG
		12	SEAL RING
		17	O-RING 2 REQUIRED
		18	PORT RING
		23	BALL 3 REQUIRED
		24	O-RING
		31	WIPER
		32	BACK-UP RING
		33	O-RING
		35	SEAL RING
		37	SEAL RING
		41	O-RING 2 REQUIRED
		42	BACK-UP RING
		43	BALL
44	BALL SEAT		
45	SPRING		
46	SCREW		
3197KHU	HYDRAULIC UNIT	05	HANDLE BASE
		08	O-RING (2)
		09	RETANINING RING (10)
		10	PIN (3)
		11	SCREW (2)
		12	SEAL RING (2)
		13	OIL TANK
		17	O-RING (2)
		18	PORT RING
		19	CYLINDER
		20	PISTON ROD
		21	PISTON
		22	VALVE SEAT
		23	BALL (3)
		24	O-RING
		25	RELEASE ROD
26	RELEASE KNOB		
27	SCREW		
28	LINK ROD		
29	PIN		
30	PLUNGER		
31	WIPER		
32	BACK-UP RING		

CONTINUED

**\* ONLY PARTS WITH A "PART ORDER NUMBER" ARE AVAILABLE FOR SALE.  
DO NOT COPY OR DISTRIBUTE THIS MATERIAL WITHOUT PERMISSION OF AFF, INC.**

# MODEL 3917 - 7 TON FORKLIFT JACK

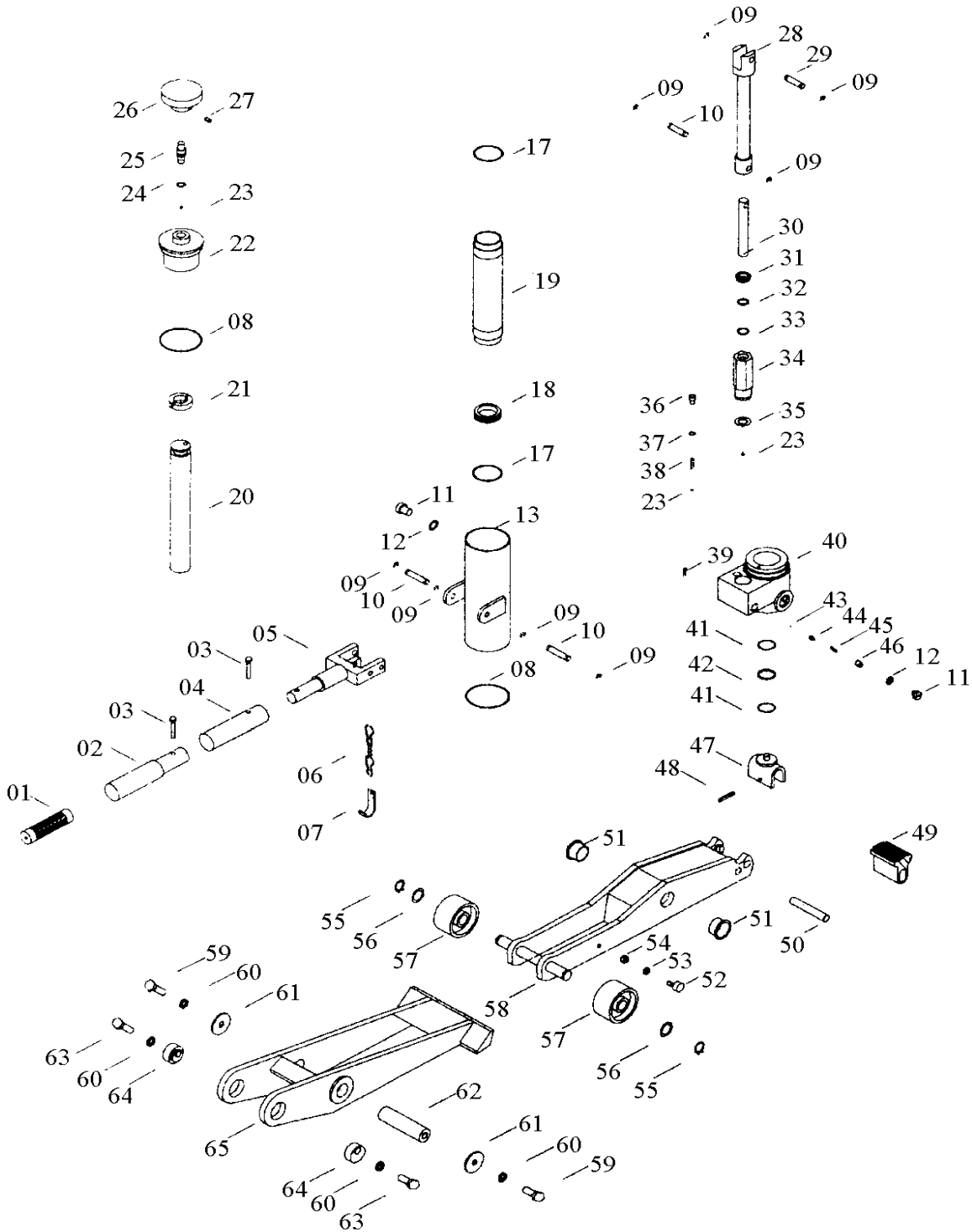
2

PART		KIT INCLUDES	
ORDER NUMBER	KIT DESCRIPTION	REF. #	DESCRIPTION
3917KHU	CONTINUED	33	O-RING
		34	PUMP
		35	SEAL RING
		36	SCREW
		37	SEAL RING
		38	SPRING
		39	MEGNET
		40	VALVE BLOCK
		41	O-RING (2)
		42	BACK-UP RING
		43	BALL
		44	BALL SEAT
		45	SPRING
		46	SCREW
47	PISTON ROD PAD		
48	PIN		
3917K06	HOOK & CHAIN	06	CHAIN
		07	CHAIN HOOK
	NOT AVAILABLE	49	SADDLE
	NOT AVAILABLE	50	PIN
	NOT AVAILABLE	51	SPACER (2)
	NOT AVAILABLE	52	SCREW (2)
	NOT AVAILABLE	53	LOCK WASHER (2)
	NOT AVAILABLE	54	NUT (2)
	NOT AVAILABLE	58	FRAME 2
	NOT AVAILABLE	59	SCREW (2)
	NOT AVAILABLE	60	LOCK WASHER (4)
	NOT AVAILABLE	61	WASHER (2)
	NOT AVAILABLE	62	AXLE
	NOT AVAILABLE	63	SCREW (2)
	NOT AVAILABLE	64	TRUNNION (2)
	NOT AVAILABLE	65	FRAME 1

**\* ONLY PARTS WITH A "PART ORDER NUMBER" ARE AVAILABLE FOR SALE.**

**DO NOT COPY OR DISTRIBUTE THIS MATERIAL WITHOUT PERMISSION OF AFF, INC.**

# MODEL 3917 - 7 TON FORKLIFT JACK



**\* ONLY PARTS WITH A "PART ORDER NUMBER" ARE AVAILABLE FOR SALE.  
DO NOT COPY OR DISTRIBUTE THIS MATERIAL WITHOUT PERMISSION OF AFF, INC.**

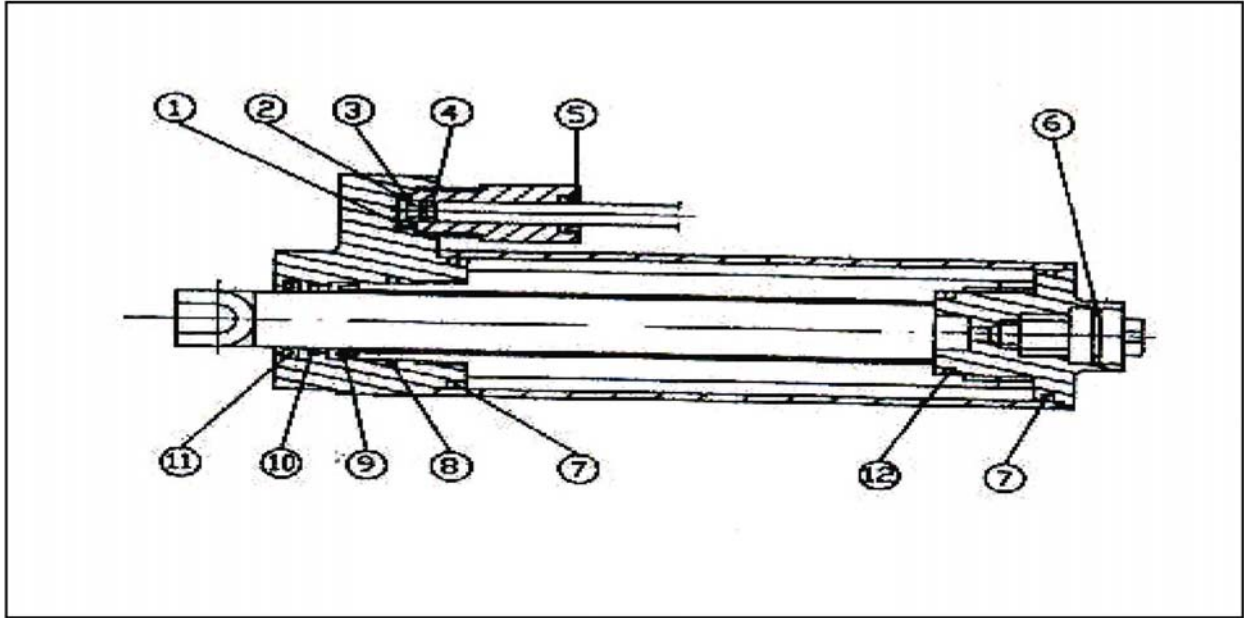
## MODEL 3917 - 7 TON FORKLIFT JACK

NO.	DESCRIPTION	QTY	NO.	DESCRIPTION	QTY
01	Grip	1	35	Seal Ring	1
02	Handle 2	1	36	Screw	1
03	Screw	2	37	Seal Ring	1
04	Handle 1	1	38	Spring	1
05	Handle Base	1	39	Magnet Steel	1
06	Chain	1	40	Valve Block	1
07	Chain Hook	1	41	O-Ring	2
08	O-Ring	2	42	Back-Up Ring	1
09	Retaining Ring	10	43	Ball	1
10	Pin	3	44	Ball Seat	1
11	Screw	2	45	Spring	1
12	Seal Ring	2	46	Screw	1
13	Oil Tank	1	47	Piston Rod Pad	1
17	O-Ring	2	48	Pin	1
18	Port Ring	1	49	Saddle	1
19	Cylinder	1	50	Pin	1
20	Piston Rod	1	51	Spacer	2
21	Piston	1	52	Screw	2
22	Valve Seat	1	53	Lock Washer	2
23	Ball	3	54	Nut	2
24	O-Ring	1	55	Snap Ring	2
25	Release Rod	1	56	Washer	2
26	Release Knob	1	57	Wheel	2
27	Screw	1	58	Frame 2	1
28	Link Rod	1	59	Screw	2
29	Pin	1	60	Lock Washer	4
30	Plunger	1	61	Washer	2
31	Wiper	1	62	Axle	1
32	Back-Up Ring	1	63	Screw	2
33	O-Ring	1	64	Trunnion	2
34	Pump	1	65	Frame 1	1

**\* ONLY PARTS WITH A "PART ORDER NUMBER" ARE AVAILABLE FOR SALE.**  
**DO NOT COPY OR DISTRIBUTE THIS MATERIAL WITHOUT PERMISSION OF AFF, INC.**

# MODEL 3917 - 7 TON FORKLIFT JACK

## HYDRAULIC SEALING KIT ASSEMBLY



NO.	DESCRIPTION	SPECIFICATION	QTY
H1	O-Ring	26 x 2.4	1
H2	Retaining Ring	26 x 2	1
H3	Ky Sealing Ring	SJM05-1-16	1
H4	O-Ring	16 x 2.4	1
H5	ZHM Sealing Ring	SJM08-16	1
H6	O-Ring	26 x 2.4	1
H7	O-Ring	75 x 3.1	2
H8	O-Ring	50 x 3.1	1
H9	Ky Sealing Ring	SJM01-2-35	1
H10	O-Ring	40 x 3.1	1
H11	Dustproof Sealing Ring	SJM03-35	1
H12	O-Ring	41 x 3.1	1

**\* ONLY PARTS WITH A "PART ORDER NUMBER" ARE AVAILABLE FOR SALE.**  
 DO NOT COPY OR DISTRIBUTE THIS MATERIAL WITHOUT PERMISSION OF AFF, INC.